

NOTE:
Please read all instructions
carefully Before using this
product

Assembly Instruction
Exploded Diagram
Parts List

Model
HM 370

Retain This
Manual for
Reference

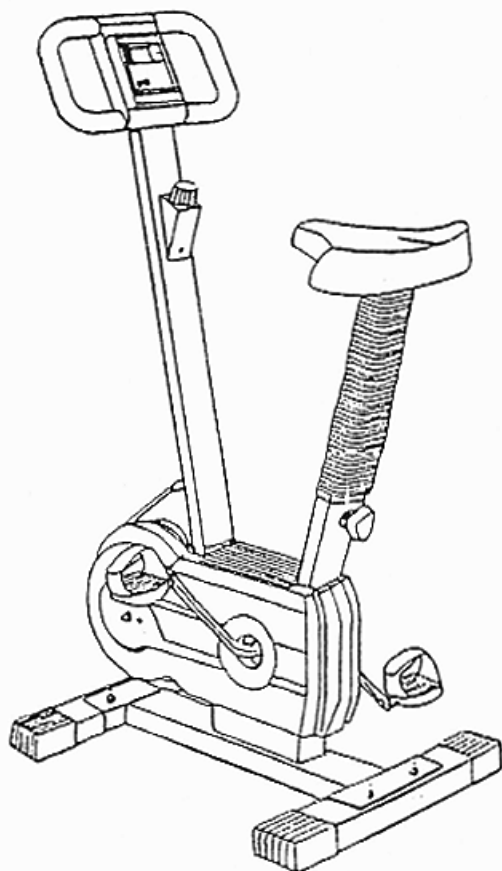
3-09-98

**OWNER'S
MANUAL**



MARCY[®]
By IMPEX

BODY CYCLE HM 370



IMPEX FITNESS PRODUCTS

14777 DON JULIAN RD., CITY OF INDUSTRY, CA 91746
(800) 999-8899 Fax(626) 961-9966

IMPORTANT

Before you start to assemble your exercise cycle please lay all components out on the floor and check against the parts lists.

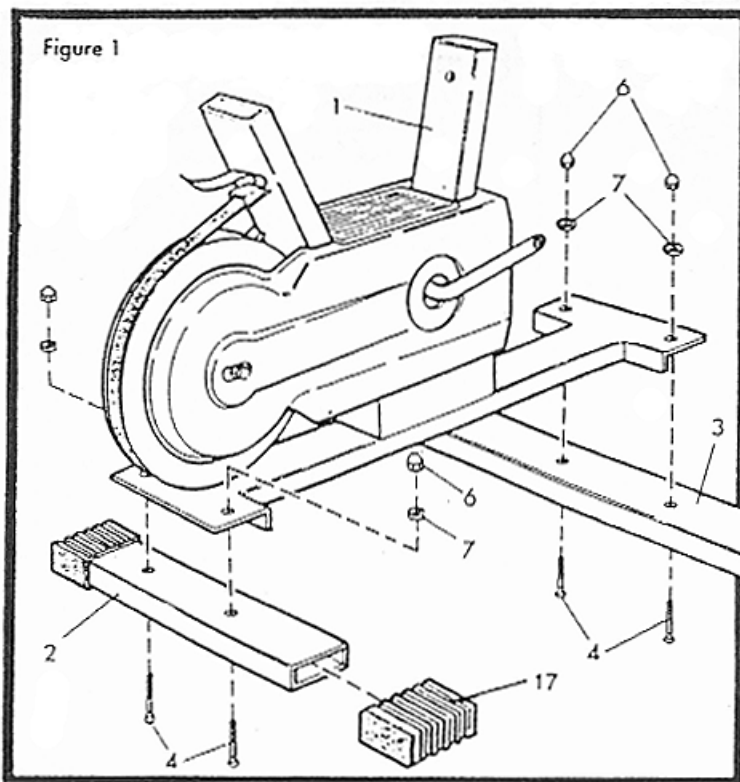
Should any part be missing or incorrect DO NOT return the exercise cycle but instead contact our After Sales Department. We will be please to assist or despatch any missing or faulty item by return.

USER HINTS AND TIPS

1. Follow assembly steps and diagrams carefully.
2. Ensure that all bolts and nuts are securely tightened and use locking washers where provided.
3. Your machine has been designed to give good service for a long period of tiem, to ensure its good condiditon, please check all nuts and bolts for tightness and apply lubrication to moving parts periodically.
4. Maintenance advice can be obtained from our After Sales Department

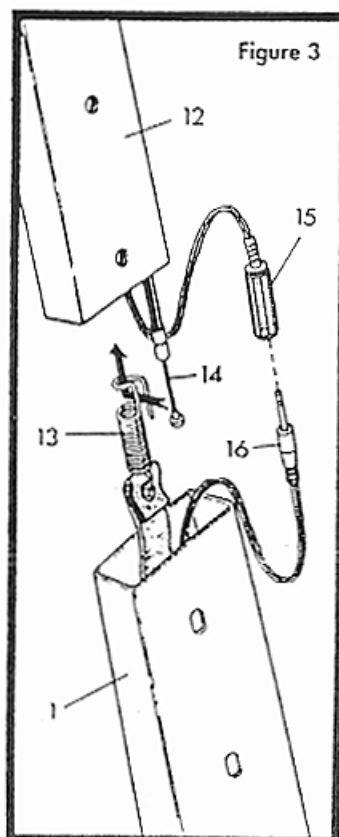
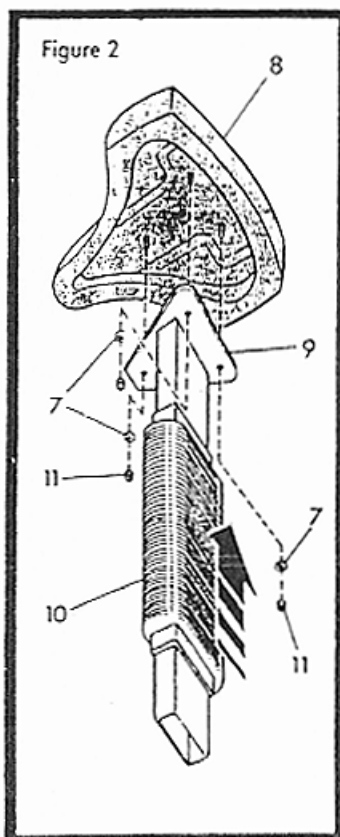
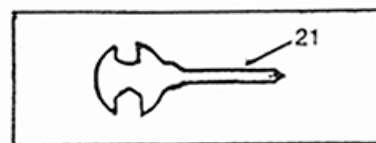
PARTS LIST

Item No	Description	Q'ty
1	Main body	1
2	Front foot (small)	1
3	Back foot (large)	1
4	Square head bolt (M8 x 35)	4
6	Domed nuts (M8)	4
7	Locking vashers	7
8	Saddle	1
9	Saddle Stem	1
10	Plastic Gaiter	1
11	Nylon nuts (M8)	3
12	Handle Bar Stem	1
13	Resistance band and sprng	1
14	Resistance adjustment cable	1
15	Computer cable (top half)	1
16	Computer cable (lover half)	1
17	Non-slip plastic cap with wheel	2
18	Non-slip plastic cap	2
19	Seat adjustment knob	1
20	Computer case	1
21	Spanner Ailen key	1
22	Handle bar	1
23	Domed nuts (M8) washers	4
24	Pedals (left and right thread)	2
25	Computer	1
26	Handle bar grips	2

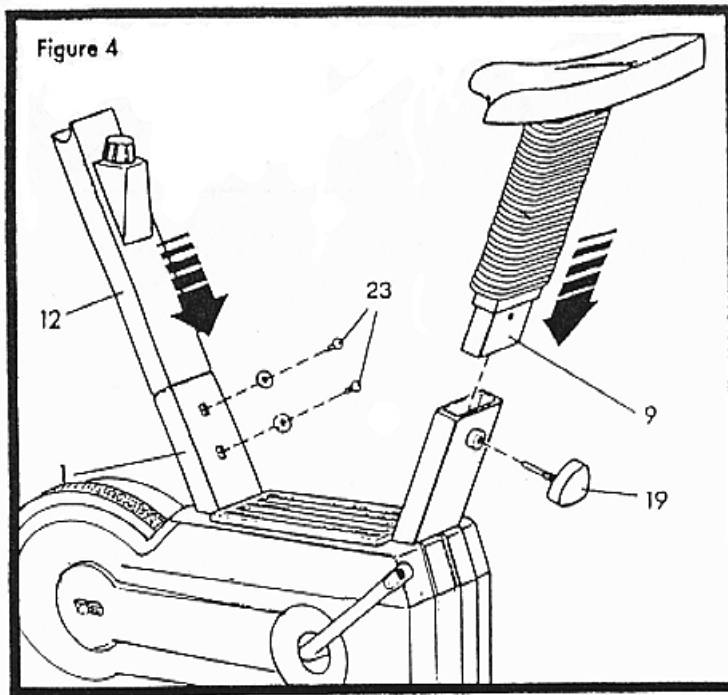


Assembly Instructions

1. Attach the front foot (2) and the back foot (3) to the main body (1) using bolts (4), washers (7) and nuts (6). Tighten nuts using the supplied spanner (21). Figure 1.
2. Attach the saddle stem (9) to the saddle (8) using nylon nuts (11) and washers (7) and tighten using the supplied spanner (21). Figure 2.
3. Slide the plastic gaiter (10) onto the saddle stem (9). Figure 2.



4. Attach the resistance adjustment cable (14) to the spring on the resistance band (13). Figure 3.
5. Connect the computer cables (15 and 16). Figure 3.

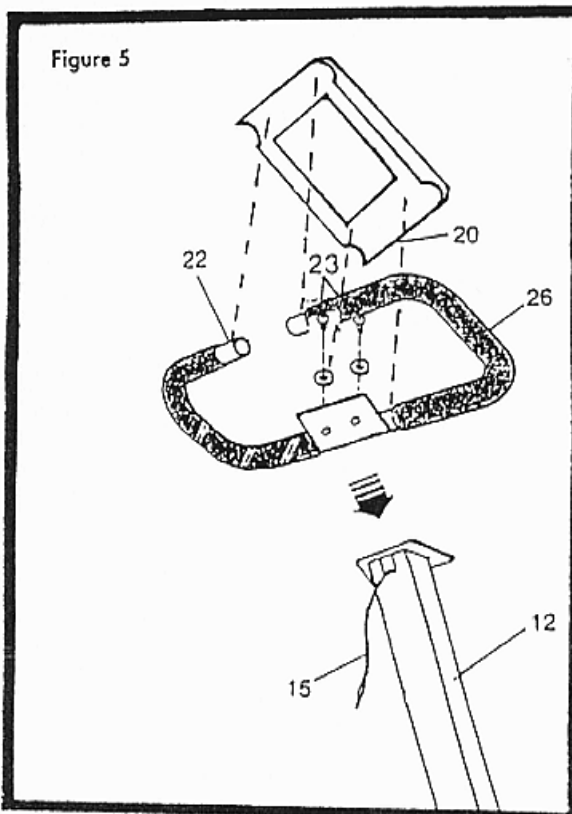


6. Fix the handlebar stem (12) to the main body (1) using the domed socket bolts (23) and chrome washers (23). Tighten the bolts using the supplied allen key (21). Ensure to tuck all cables inside the handle bar stem. Figure 4.

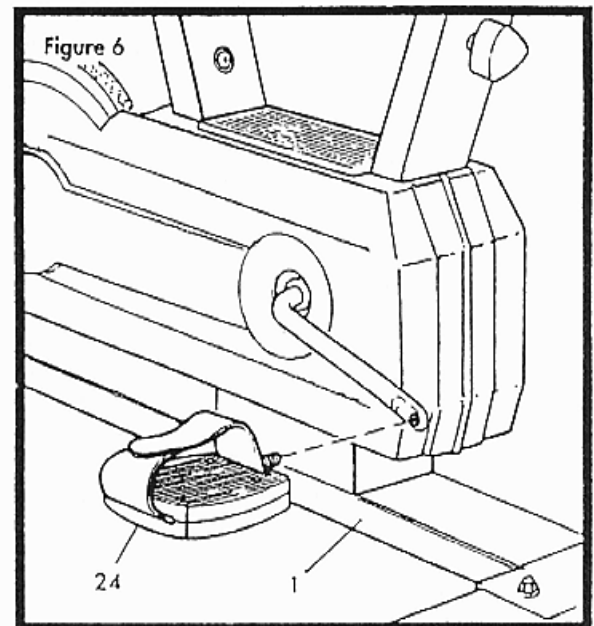
7. Slide the saddle stem (9) into the main body (1) and select desired height when the unit is completely assembled by screwing in the seat adjustment knob (19). Always ensure knob is screwed tightly before mounting the cycle. Figure 4.

8. Fit the handle bar grips (26) to the handle bar (22) and slide to position shown in Figure 5. (A smear of liquid soap may be required on the handle bar to assist this operation.)

9. Fit the computer casing (20) to the handle bar (22) figure 5.



10. Slide the handle bar (22) into the handle bar stem (12) and secure using domed socket bolts (23) and chrome washers (23). Tighten using supplied allen key (21). Figure 5.



11. Identify the left and right hand pedals (24). Attach the right hand pedal to the right hand crank on the main body (1) and tighten by turning the supplied spanner (21) in a clockwise direction. The left hand pedal must be fitted to the left hand crank and tightened by turning the spanner in an anticlockwise direction. Figure 6.

IMPEX INC.

LIMITED WARRANTY

IMPEX Inc. ("IMPEX") warrants this product to be free from defects in workmanship and material, under normal use and service conditions, for a period of two years on the Frame from the date of purchase. This warranty extends only to the original purchaser. IMPEX's obligation under this Warranty is limited to replacing or repairing, at IMPEX's option.

All returns must be pre-authorized by IMPEX. Pre-authorization may be obtained by calling IMPEX Customer Service Department at 1-800-999-8899. All freights on products returned to IMPEX must be prepaid by the customer. This warranty does not extend to any product or damage to a product caused by or attributable to freight damage, abuse, misuse, improper or abnormal usage or repairs not provided by a IMPEX authorized service center or for products used for commercial or rental purposes. No other warranty beyond that specifically set forth above is authorized by IMPEX.

IMPEX is not responsible or liable for indirect, special or consequential damages arising out of or in connection with the use or performance of the product or other damages with respect to any economic loss, loss of property, loss of revenues or profits, loss of enjoyments or use, costs of removal, installation or other consequential damages or whatsoever natures. Some states do not allow the exclusion or limitation of incidental or consequential damages. Accordingly, the above limitation may not apply to you.

The warranty extended hereunder is in lieu of any and all other warranties and any implied warranties of merchantability or fitness for a particular purpose is limited in its scope and duration to the terms set forth herein. Some states do not allow limitations on how long an implied warranty lasts. Accordingly, the above limitation may not apply to you.

This warranty gives you specific legal right. You may also have other rights which vary from state to state.

IMPEX INC.
14777 Don Julian
City of Industry, CA 91746

ORDERING REPLACEMENT PARTS

Replacement parts can be ordered by calling our Customer Service Department toll-free at 1-800-999-8899 during our regular business hours: Monday through Friday, 9 am until 5 pm Pacific standard time.

www.impex-fitness.com

impex@impex-fitness.com

When ordering replacement parts, always give the following information.

1. Model
2. Description of Parts
3. Part Number
4. Date of Purchase