

MARCY Cardio Mini Cycle

NS-909



IMPORTANT SAFTY NOTICE

1. **Read the warning notice and instruction prior assembling and using the equipment.**
2. **This equipment is not intended to use by children under 12 years of age.**
3. **This equipment can be used by hand or feet. Do not stand with full weight on the pedals.**
4. Do not leave children unattended with the equipment.
5. This equipment is intended to use indoor.
6. Position the equipment on a clear, leveled surface. Make sure the surfaces are free of objects that may cause tipping over. Keep objects away, which could interfere with the performer.
7. Inspect before use. Keep frame padding in place. Never use the equipment if it is not functioning properly.
8. Always wear appropriate workout clothing when exercising.
9. Do not use the equipment when it is wet.
10. Use the equipment only with mature, knowledgeable supervision.
11. Do not use the equipment while under influence of alcohol or drugs.
12. While keeping the head erect, focus eyes on the equipment toward the perimeter.
13. Before exercising, always do stretching exercises to properly warm up.
14. If the user experience dizziness, nausea, chest pain, or any other abnormal symptoms, STOP the workout at once. CONSULT A PHYSICIAN IMMEDIATELY.

Care and Maintenance

1. For equipment information, contact manufacturer.
2. Periodically inspect all parts for tightness and tighten as required.
3. Replace any worn and damaged part immediately.
4. Use mild household spray cleaners and/or a damp rag to wipe clean. Do not use harsh cleaning chemicals.
5. Sand rusted areas on tubular members and repaint using a non-lead based paint meeting the requirements of Title 16 CFR Part 1303.
6. Disposal Instructions – The equipment can be safely disassembled and disposed without unreasonable hazards. Call your local recycle agency regarding details of recycling.

Save the Instructions.

WARNING: BEFORE BEGINNING ANY EXERCISE PROGRAM, CONSULT YOUR PHYSICIAN. THIS IS ESPECIALLY IMPORTANT FOR INDIVIDUALS OVER THE AGE OF 35 OR PERSONS WITH PRE-EXISTING HEALTH PROBLEMS. READ ALL INSTRUCTIONS BEFORE USING ANY FITNESS EQUIPMENT. IMPEX INC. ASSUMES NO RESPONSIBILITY FOR PERSONAL INJURY OR PROPERTY DAMAGE SUSTAINED BY OR THROUGH THE USE OF THIS PRODUCT.

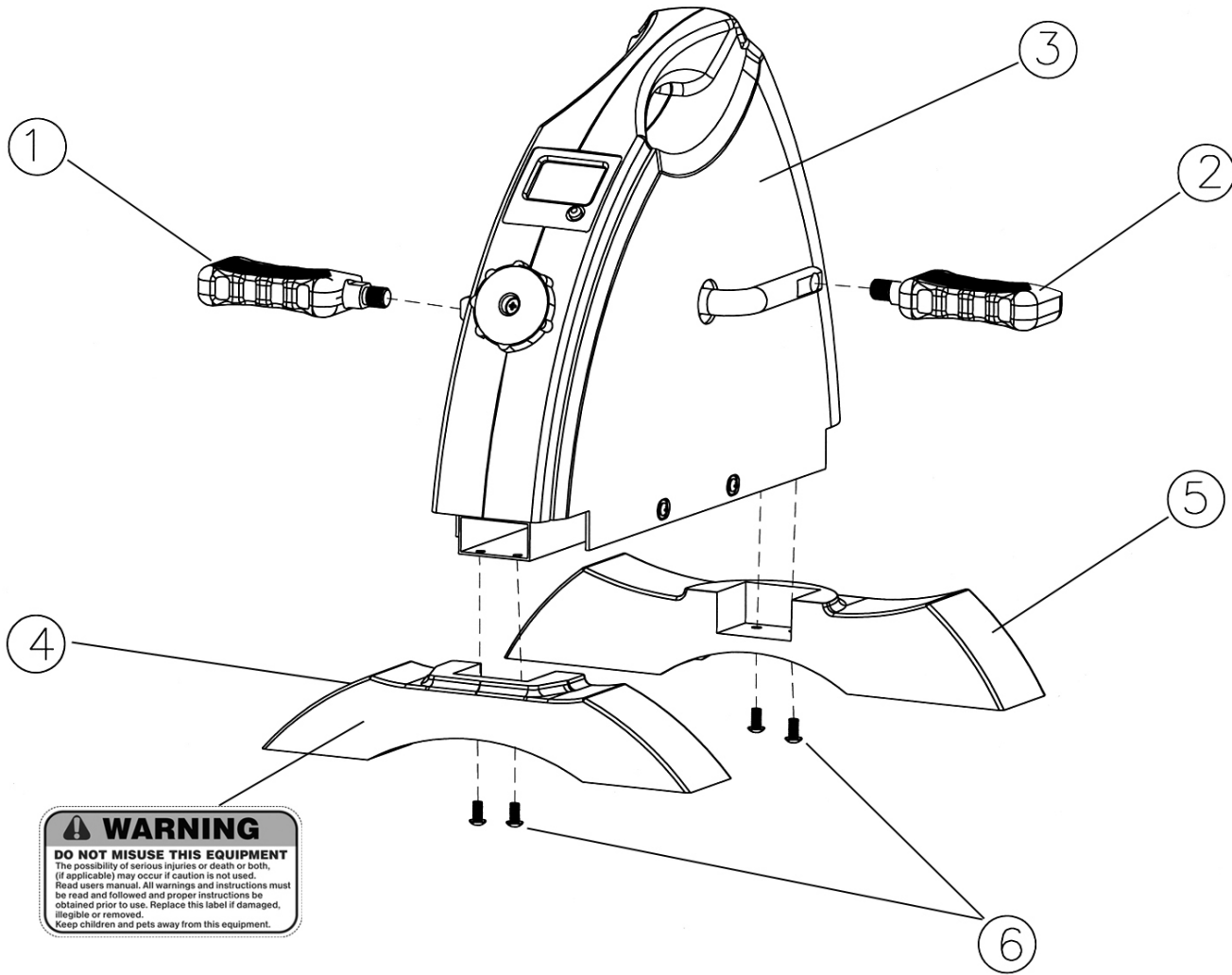
SAVE THESE INSTRUCTIONS.

**Impex Fitness Products
2801 S. Towne Ave.
Pomona, CA 91766**

**Phone: 1-800-999-8899
Fax: (626) 961-9966
Email: info@impex-fitness.com**

110601

ASSEMBLY INSTRUCTION



- A.) Attach the Front Stabilizer (#5) to Main Frame (#3). Secure it with two M6 x 3/4" Philips Screws (#6).
- B.) Attach the Rear Stabilizer (#4) to Main Frame (#3). Secure it with two M6 x 3/4" Philips Screws (#6).
- C.) Thread the Left Pedal (#1) counterclockwise into the pedal crank.
- D.) Thread the Right Pedal (#2) into clockwise into the pedal crank.

PARTS LIST

Part#	Description	Qty
1	Left Pedal	1
2	Right Pedal	1
3	Main Frame	1
4	Rear Stabilizer	1
5	Front Stabilizer	1
6	M6 x 3/4" Philips Screw	4

Computer



Press button to scan Time, Count, Calories, and TTR (Total Reps).

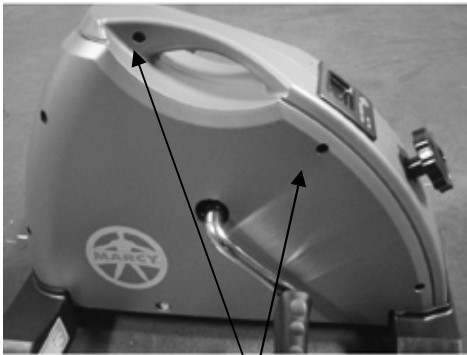
DISPLAY:

Time	Display the elapsed time (Minute: Second).
Count	Display count of repetitions.
Calories	Display the calorie consumption in cal.
TTR	Display total repetition exercised.

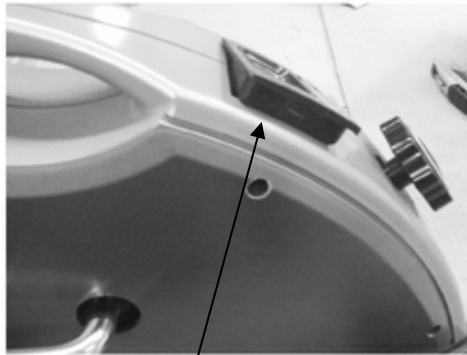
- The display mode will change every five seconds automatically.
- The computer will be automatically turned off when idle for 5 minutes.
- Press button and hold for 4 seconds will reset all values to zero.

Battery Replacement

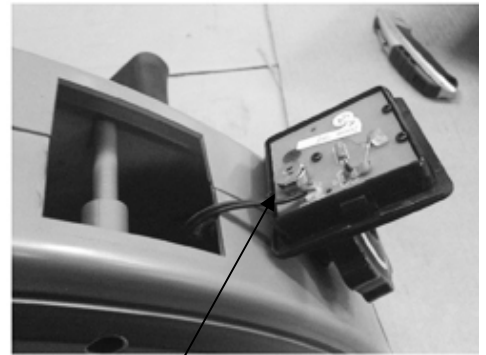
The Computer uses one (1) button cell (LR44) battery.



Loosen the Screws (2)



**Remove the Computer
by lightly pulling the
Computer casing up**



Replace the battery

LIMITED WARRANTY

IMPEX Inc. ("IMPEX[®]") warrants this product to be free from defects in workmanship and material, under normal use and service conditions, for a period of two years on the Frame from the date of purchase. This warranty extends only to the original purchaser. IMPEX's obligation under this Warranty is limited to replacing or repairing, at IMPEX's option.

All returns must be pre-authorized by IMPEX. Pre-authorization may be obtained by calling IMPEX Customer Service Department at 1-800-999-8899. All freights on products returned to IMPEX must be prepaid by the customer.

ORDERING REPLACEMENT PARTS

Replacement parts can be ordered by calling our Customer Service Department toll-free at **1-800-999-8899** during our regular business hours: Monday through Friday, 9 am until 5 pm Pacific standard time.

www.impex-fitness.com
info@impex-fitness.com

IMPEX[®] INC.
2801 S. Towne Ave, Pomona, CA 91766