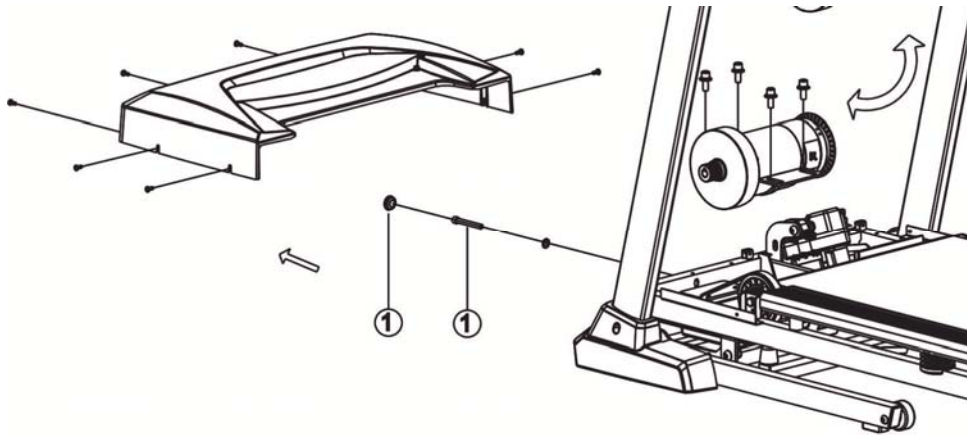
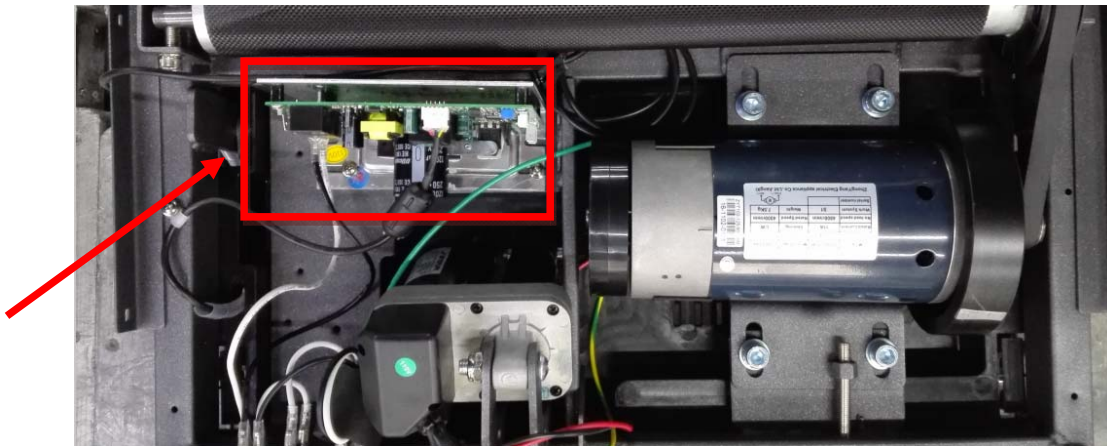


Please make sure the power cord is unplugged from the wall socket.

Step #1: Remove the covers by removing the 7 screws holding down the cover.
DO NOT REMOVE THE MOTOR.

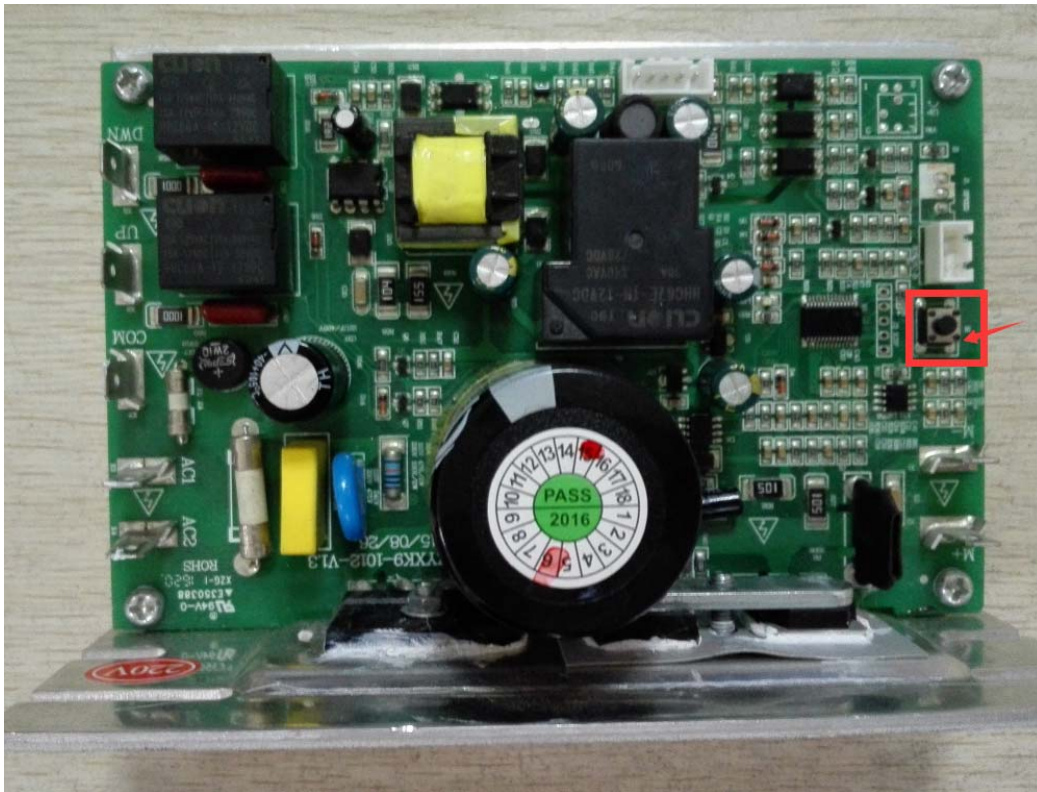


Step #2: Locate the controller board to reset the incline servo.



Step #3: locate the black button on the controller board.
Press for 3-5 seconds, to reset the incline module. When you hear a click, the incline has been reset.





Step #4: Plug in the power cord, and power on the treadmill. Check to see incline/decline operates as normal.