

NOTE:  
Please read all instructions  
carefully before using this  
product

Table of Contents

Safety Notice

Hardware Pack

Assembly Instruction

Parts List

Warranty

Ordering Parts

Model  
GD-600

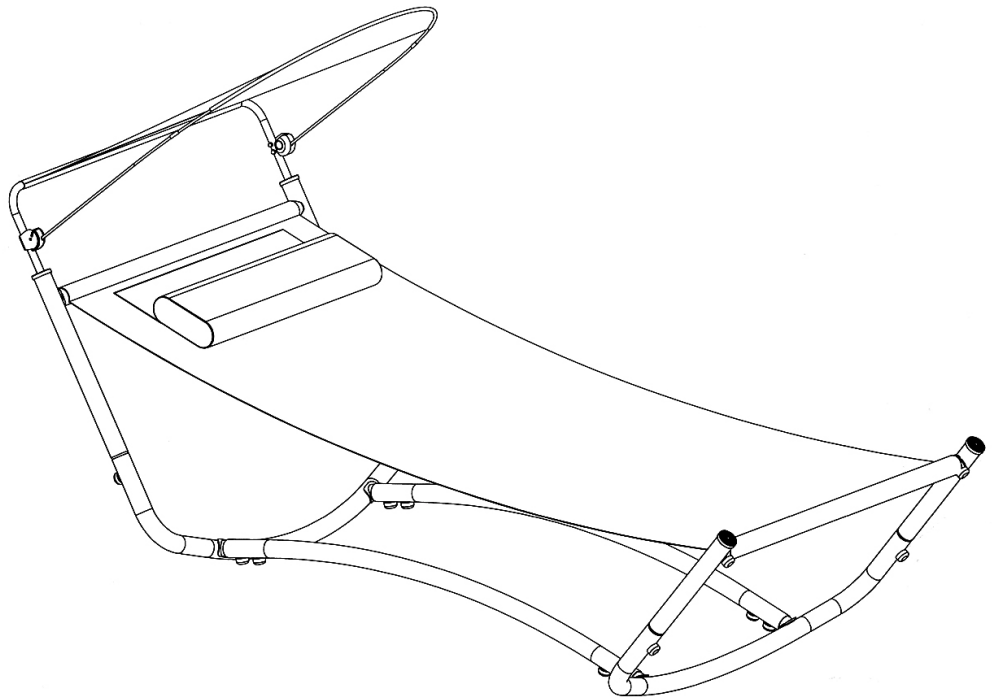
Retain This  
Manual for  
Reference

11-24-09

OWNER'S  
MANUAL

# ROCKING HAMMOCK

## GD-600



**IMPEX<sup>®</sup> INC.**

14777 DON JULIAN RD., CITY OF INDUSTRY, CA 91746

Tel: (800) 999-8899 Fax: (626) 961-9966

[www.impex-fitness.com](http://www.impex-fitness.com)

[info@impex-fitness.com](mailto:info@impex-fitness.com)

# TABLE OF CONTENTS

BEFORE YOU BEGIN.....	1
IMPORTANT SAFETY NOTICES.....	2
HARDWARE IDENTIFIER.....	3
ASSEMBLY INSTRUCTIONS.....	5
OPERATION.....	11
EXPLODED DIAGRAM.....	12
PARTS LIST.....	13
WARRANTY.....	14
ORDERING PARTS.....	14

---

## BEFORE YOU BEGIN

Thank you for selecting the Rocking Hammock GD-600 by IMPEX®. For your safety and benefit, read this manual carefully before using the Hammock. As a manufacturer, we are committed to provide you complete customer satisfaction. If you have any questions, or find there are missing or damaged parts, we guarantee you complete satisfaction through direct assistance from our factory. **DO NOT RETURN THE UNIT TO THE STORE!** To avoid unnecessary delays, please call our *TOLL-FREE customer service number*. Our Customer Service Agents will provide immediate assistance to you.

Toll-Free Customer Service Number  
1-800-999-8899  
Mon. – Fri. 9 a.m. – 5 p.m. PST  
[www.impex-fitness.com](http://www.impex-fitness.com)  
[info@impex-fitness.com](mailto:info@impex-fitness.com)

## **IMPORTANT SAFETY NOTICE**

Please read the entire manual before assembling or operating the equipment. In particular, note the following safety precautions to reduce the likelihood of injury.

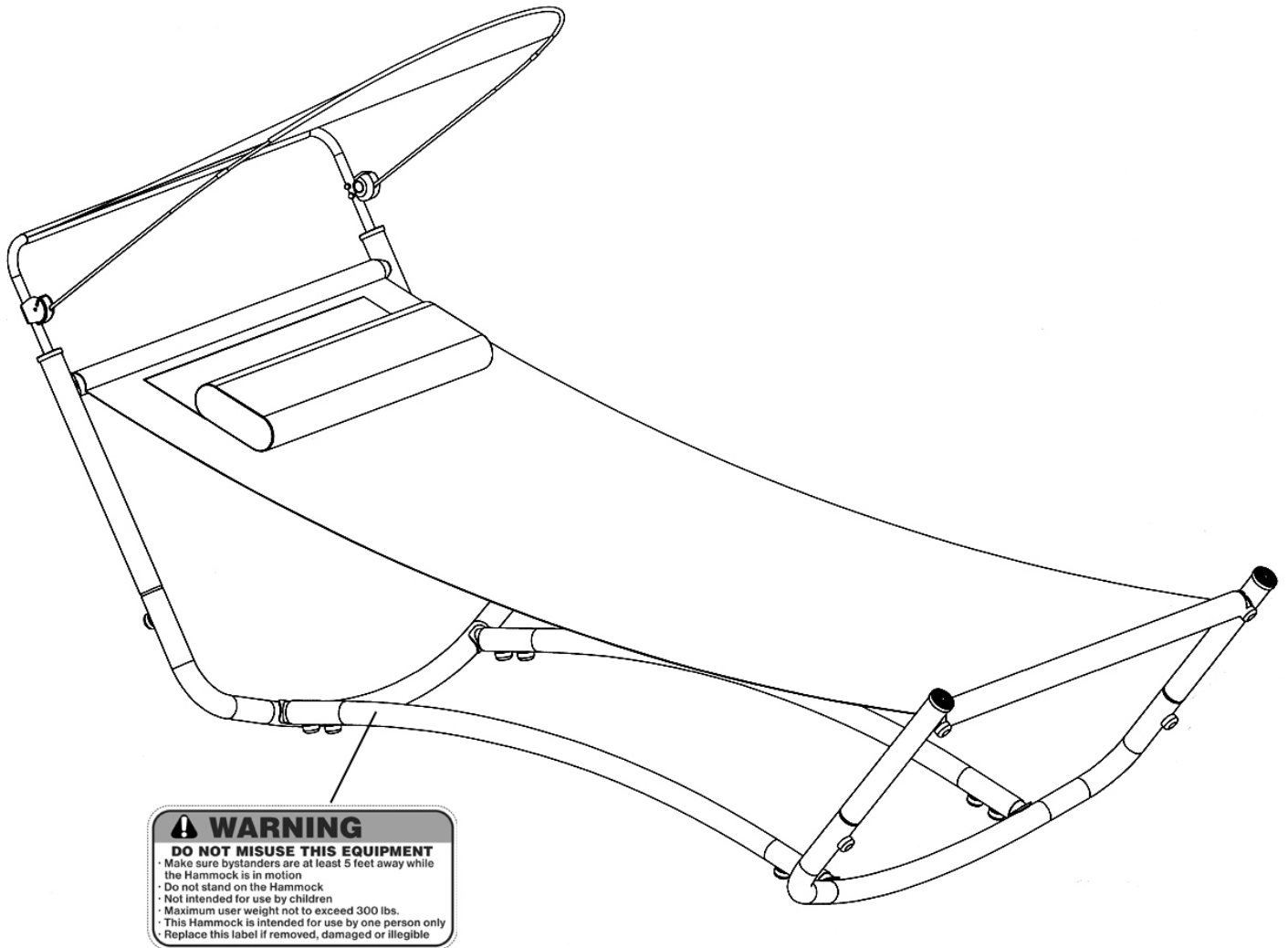
1. Children must be supervised at all times and never left unattended with the unit.
2. Make sure the surfaces are free of objects that may cause tipping over.
3. Place the equipment on level ground, not less than 6 ft (1.8 m) from any structure or obstruction such as fence, garage, house, overhanging branches, laundry lines, or electrical wires.
4. Make sure bystanders are at least 5 feet away from the equipment while it is in motion. No one should be allowed to walk close to, in front of, behind, or between moving items.
5. Do not stand on the Rocking Hammock. This could cause the bed to tip over and result in injury.
6. The Rocking Hammock is not designed to use by children.
7. Maximum user weight is 300 lbs.
8. Only one person should be using the Rocking Hammock at a time.

## **Care and Maintenance**

1. Periodically inspect all parts. Check all bolts twice monthly during the usage season for tightness and tighten as required. It is particularly important that this procedure be followed at the beginning of each season.
2. Replace any worn and damaged part immediately. Check all coverings for bolts and sharp edges twice monthly during usage season to be certain they are in place. Replace when necessary. It is especially important to do this at the beginning of each new season.
3. Use mild household spray cleaners and/or a damp rag to wipe clean. Do not use harsh cleaning chemicals.
4. Sand rusted areas on tubular members and repaint using a non-lead based paint meeting the requirements of Title 16 CFR Part 1303.
5. Disposal Instructions – The equipment can be safely disassembled and disposed without unreasonable hazards. Call your local recycle agency regarding details of recycling.
6. Inspect before and periodically during use for frayed ropes and torn seam. Call the customer service department if any defects were found.
7. Inspect before and periodically during use for excessive rust, integrity of the welds, and twist in hanging hardware. Call the customer service department if any defects were found.

**SAVE THESE INSTRUCTIONS.**

# WARNING LABEL PLACEMENT



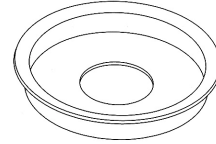
The Warning Label shown here has been placed on the Stabilizer Frame. If the label is missing or illegible, please call customer service at 1-800-999-8899 for replacement. Apply the label in location shown.

# HARDWARE IDENTIFIER

**Part# Description**

**Identifier**

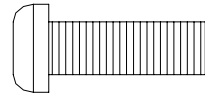
#2 Cap Washer (Qty 16)



#3 Cover Cap (Qty 16)

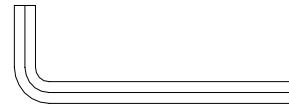


#24 M8 x 5/8" Allen Bolt (Qty 16)



**Tools:**

#5 Allen Wrench (Qty 1)



# ASSEMBLY INSTRUCTION

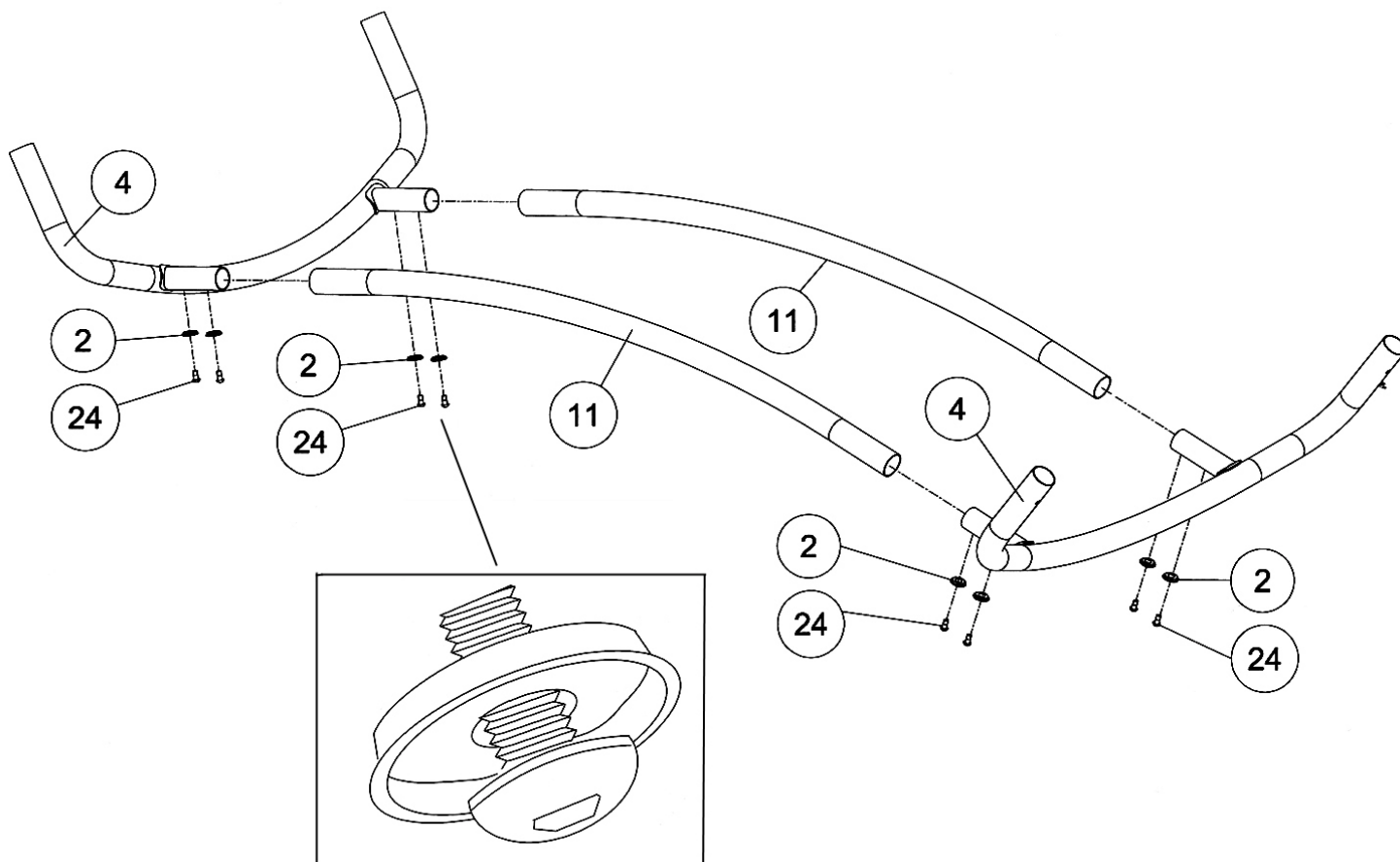
Tool Required for Assembling the Machine: #5 Allen Wrench

**NOTE:** It is strongly recommended that two or more people assemble this machine to avoid possible injury.

## STEP 1 (See Diagram 1)

- A.) **Do not tighten Bolts until instructed to do so.**
- B.) Attach the two Stabilizer Tubes (#11) to the two Hammock Base Frames (#4).
- C.) Secure each end of the Stabilizer Tube to the Hammock Base Frame with two M8 x 5/8" Allen Bolt (#24) and two Cap Washers (#2).
- D.) **NOTE: The outer lip of the Cap Washer needs to face away from frame so the head of the Bolt could be in the recess of the Washer. The groove inside the Cap Cover should clip onto the lip of the Cap Washer.**

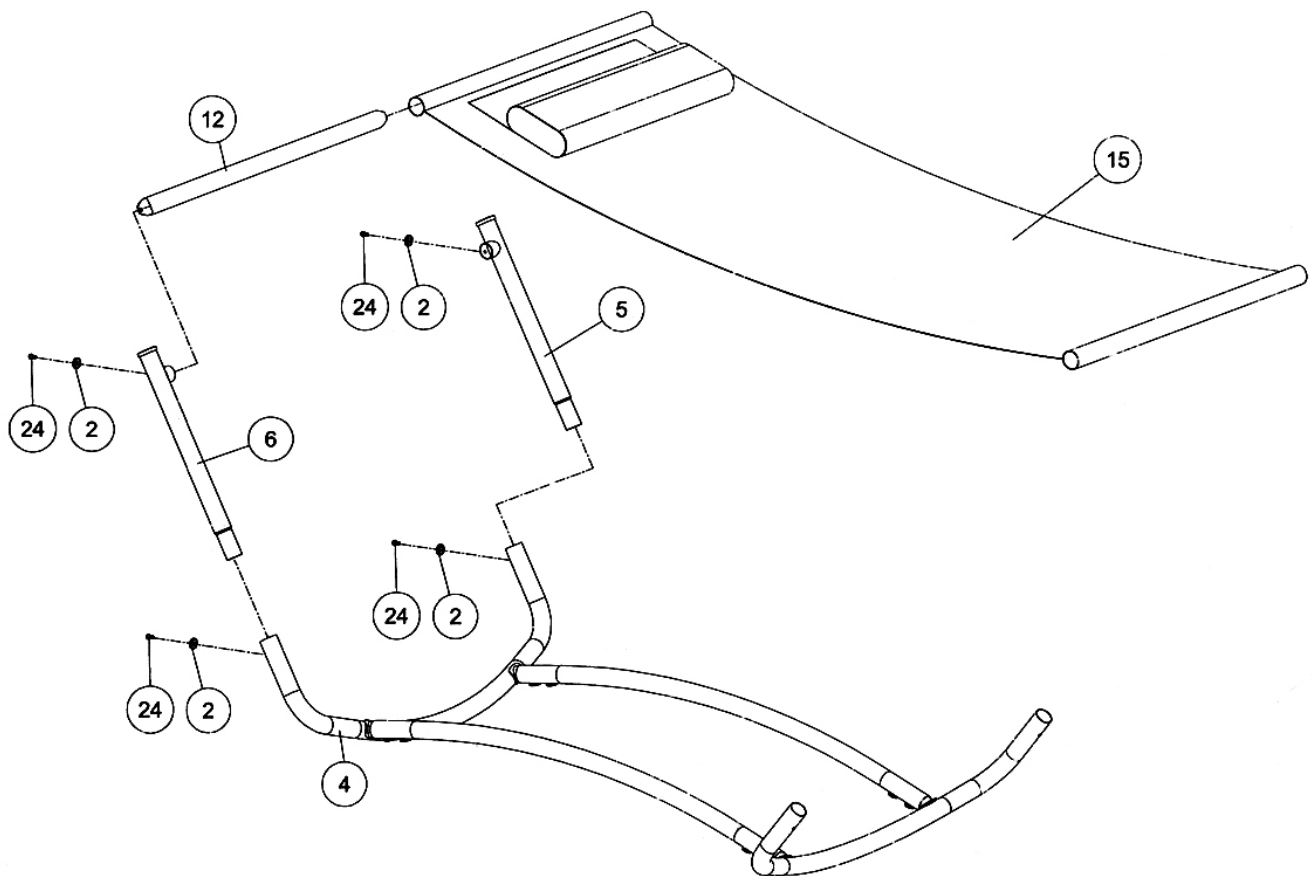
### DIAGRAM 1



## Step 2 (See Diagram 2)

- A.) **Do not tighten Bolts until instructed to do so.**
- B.) Insert a Hammock Body Support Tube (#12) through the sleeve next to the pillow on Hammock Body (#15). **NOTE: The pillow needs to be on top of the Hammock Body.**
- C.) Insert the Right Long Support (#6) into the right opening on the Hammock Base Frame (#4).
- D.) Attach right end of the Hammock Body Support Tube to the Right Long Support Frame. Attach the left end to the Left Long Support (#5).
- E.) Insert the Left Long Support into the left opening on the Hammock Base Frame.
- F.) Secure the Left and Right Support to the Hammock Base Frame with two M8 x 5/8" Allen Bolts (#24) and two Cap Washer (#2) on each side.

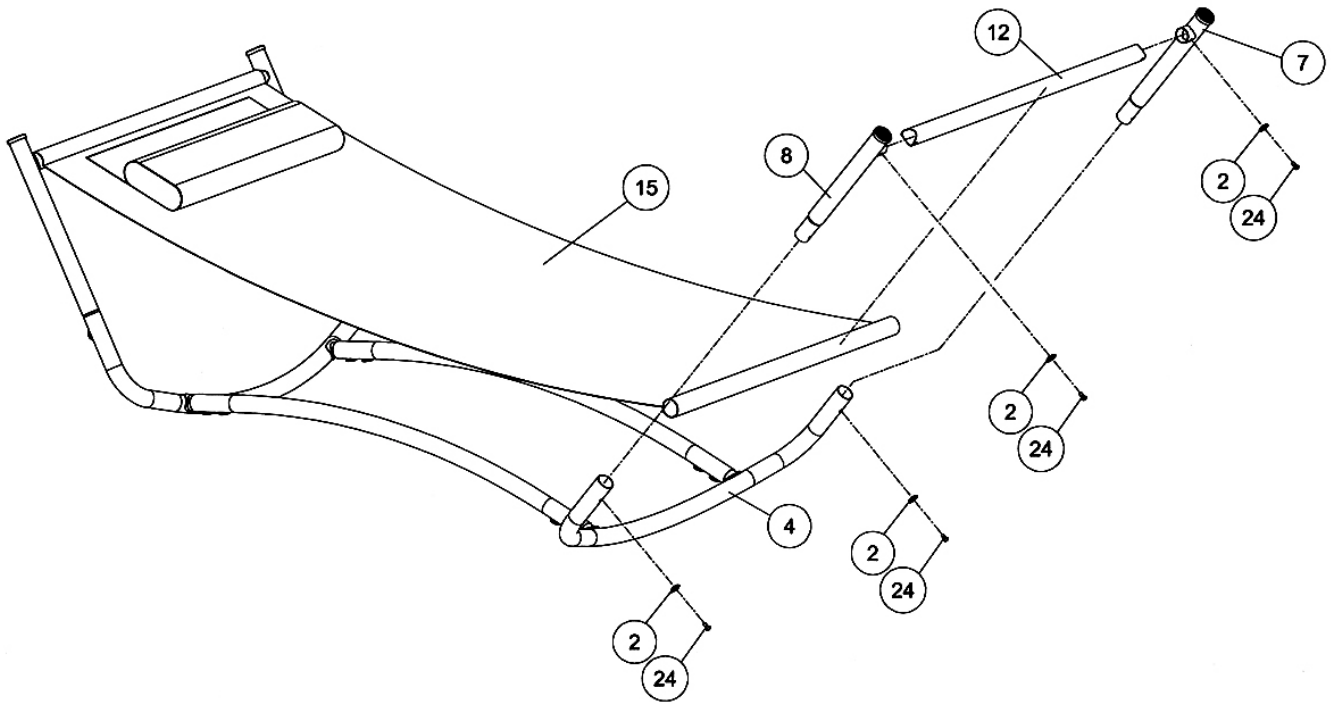
### DIAGRAM 2



**Step 3 (See Diagram 3)**

- A.) Insert the Right Short Support (#8) into right opening on the Hammock Base Frame (#4).
- B.) Insert the Hammock Body Support Tube (#12) through the other open sleeve on the Hammock Body.
- C.) Attach the right end of the Hammock Body Support Tube to the Right Short Support. Attach the other end to the Left Short Support (#7).
- D.) Insert the Left Short Support into the left opening on the Hammock Base Frame.
- E.) **Securely tighten all Bolts in previous step and this step.**

**DIAGRAM 3**

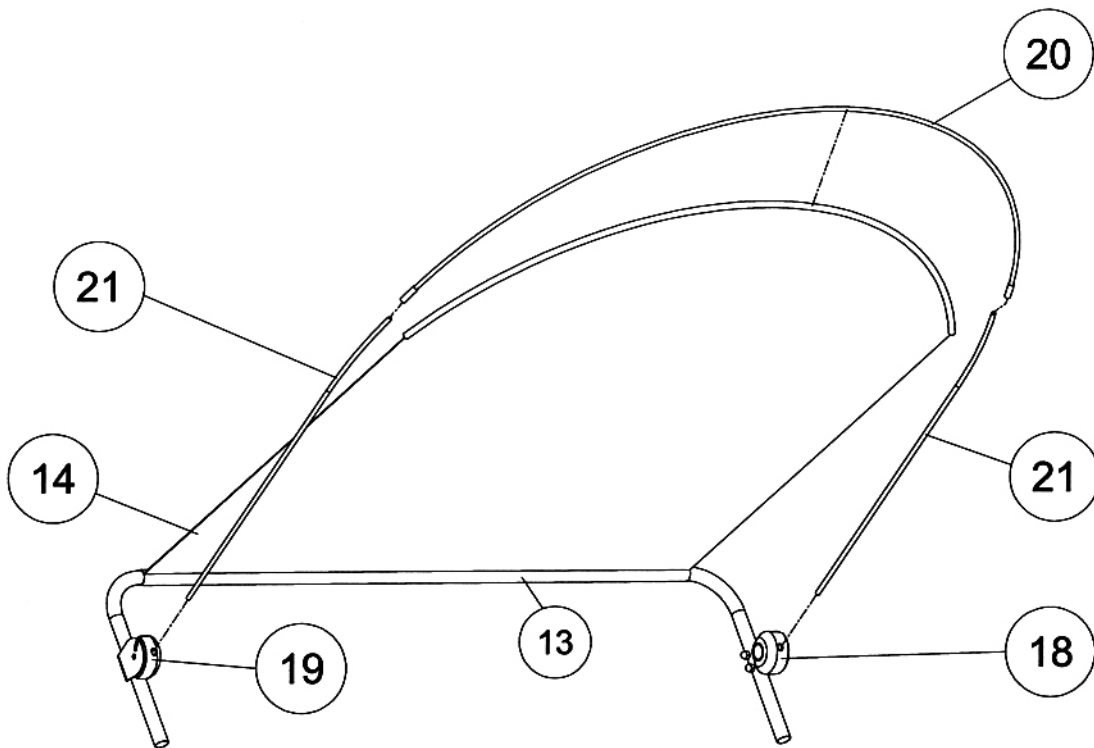




**Step 4 (See Diagram 4)**

- A.) Insert the Support Rod (#21) and Sun Shade Rod (#20) through the sleeve on the Sun Shade (#14).
- B.) Insert each end of the Support Rod into the Left and Right Rod Holder (#18) on Sun Shade Support Frame.

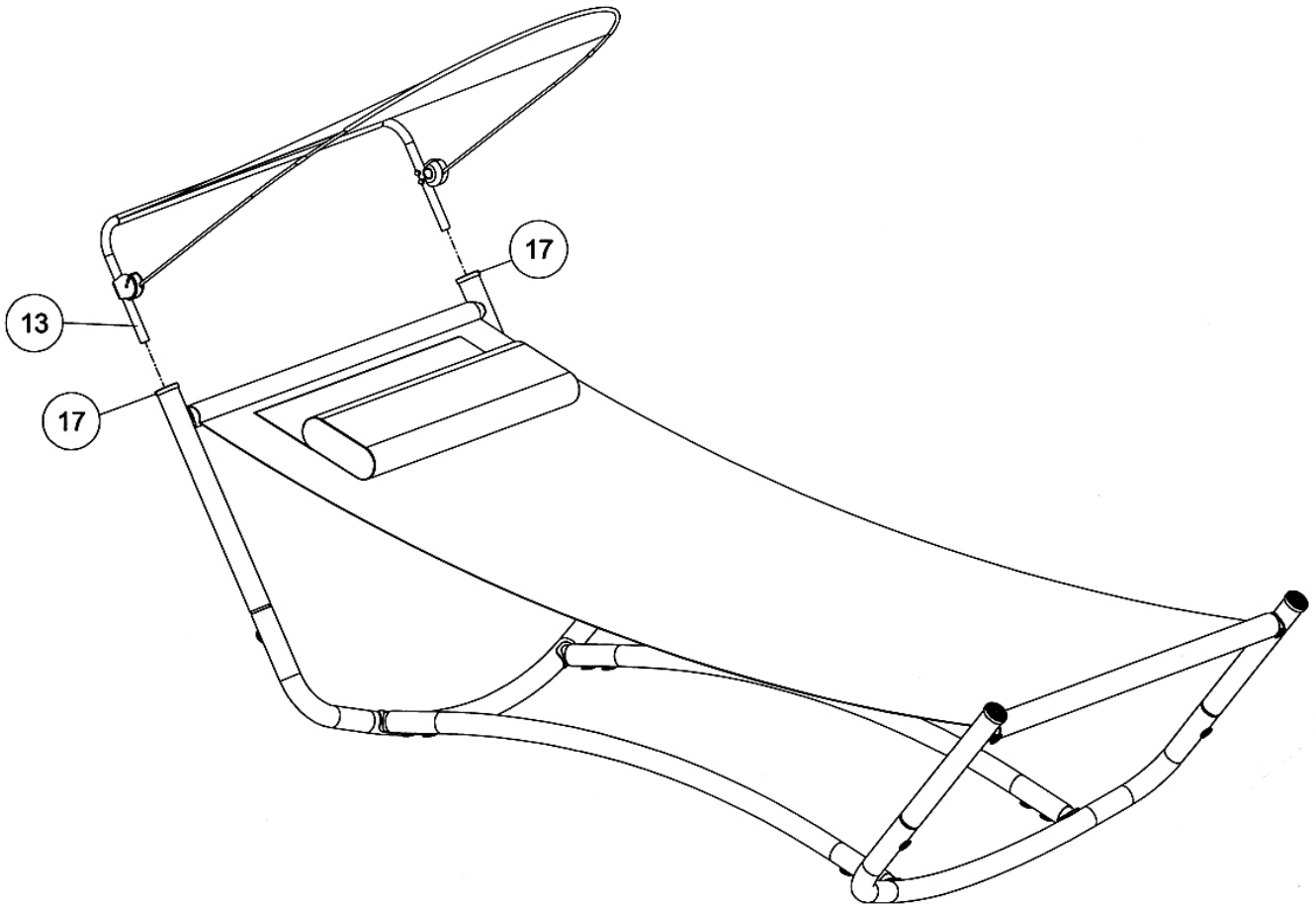
**DIAGRAM 4**



**Step 5 (See Diagram 5)**

A.) Insert the Sun Shade Support Frame (#13) into the Long Support Cover Caps (#17).

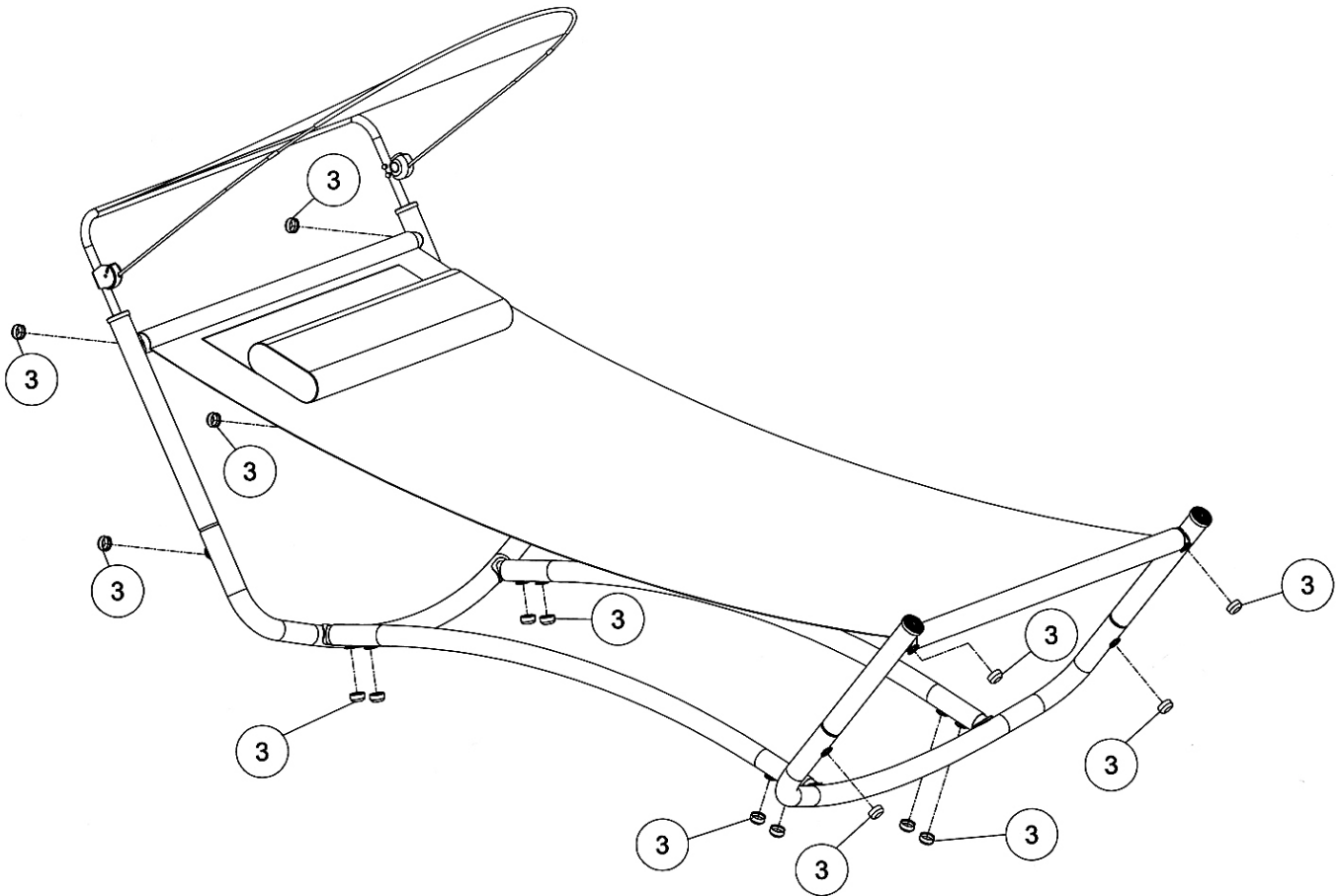
**DIAGRAM 5**



**Step 6 (See Diagram 6)**

A.) Cover all M8 x 5/8" Allen Bolts (#24) and Cap Washers (#2) with sixteen Cover Caps (#3).

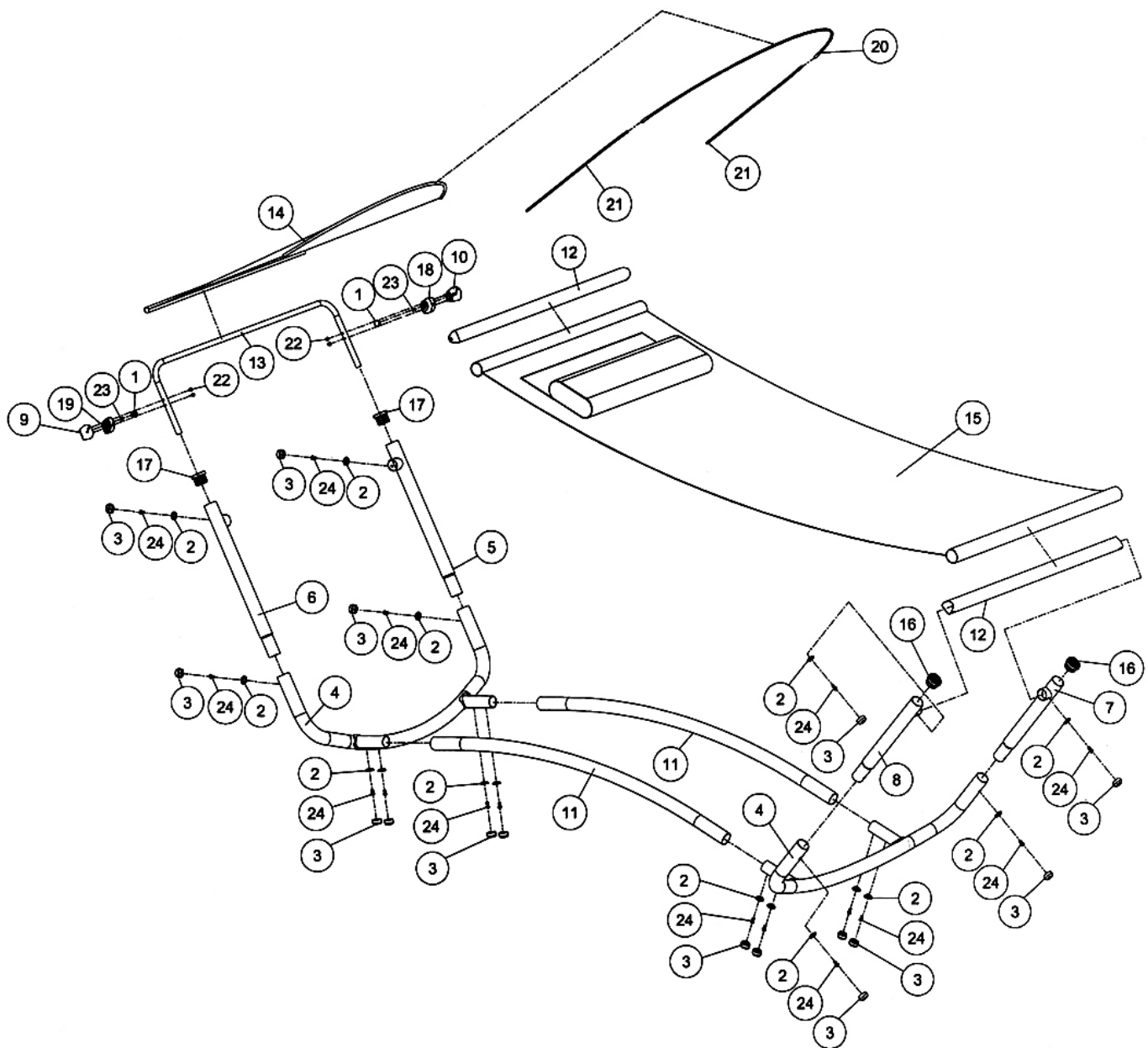
**DIAGRAM 6**



## **OPERATION**

- 1. Place the Rocking Hammock on flat surface.**
- 2. Lay in the middle of the Hammock Body only, and place head on the pillow.**
- 3. Gently sway body and the Hammock will start rocking.**
- 4. To remove the Sun Shade just simply pull out the Support Rod from the Rod holder, and then pull out the Sun Shade Support Frame.**

# EXPLODED DIAGRAM



## Parts list

KEY NO.	DESCRIPTION	Q'ty
1	Spacer	2
2	Cap Washer	16
3	Cover Cap	16
4	Hammock Base Frame	2
5	Left Long Support	1
6	Right Long Support	1
7	Left Short Support	1
8	Right Short Support	1
9	Right Bracket	1
10	Left Bracket	1
11	Stabilizer Tube	2
12	Hammock Body Support Tube	2
13	Sun Shade Support Frame	1
14	Sun Shade	1
15	Hammock Body	1
16	Short Support Cover Cap	2
17	Long Support Cover Cap	2
18	Left Rod Holder	1
19	Right Rod Holder	1
20	Sun Shade Rod	1
21	Support Rod	2
22	M6 Nut Cap	4
23	M10 x 1/2" Allen Bolt	2
24	M8 x 5/8" Allen Bolt	16
25	#5 Allen Wrench (Tool)	1

# **IMPEX<sup>®</sup> INC.**

## **LIMITED WARRANTY**

IMPEX INC ("IMPEX<sup>®</sup>") warrants this product to be free from defects in workmanship and material, under normal use and service conditions, for a period of 2 YEARS from the date of purchase. This warranty extends only to the original purchaser. IMPEX's obligation under this Warranty is limited to replacing or repairing, at IMPEX's option.

All returns must be pre-authorized by IMPEX. Pre-authorization may be obtained by calling IMPEX Customer Service Department at 1-800-999-8899. All freights on products returned to IMPEX must be prepaid by the customer. This warranty does not extend to any product or damage to a product caused by or attributable to freight damage, abuse, misuse, improper or abnormal usage or repairs. No other warranty beyond that specifically set forth above is authorized by IMPEX.

IMPEX is not responsible or liable for indirect, special or consequential damages arising out of or in connection with the use or performance of the product or other damages with respect to any economic loss, loss of property, loss of revenues or profits, loss of enjoyments or use, costs of removal, installation or other consequential damages or whatsoever natures. Some states do not allow the exclusion or limitation of incidental or consequential damages. Accordingly, the above limitation may not apply to you.

The warranty extended hereunder is in lieu of any and all other warranties and any implied warranties of merchantability or fitness for a particular purpose is limited in its scope and duration to the terms set forth herein. Some states do not allow limitations on how long an implied warranty lasts. Accordingly, the above limitation may not apply to you.

This warranty gives you specific legal right. You may also have other rights which vary from state to state. Register on-line at [www.impex-fitness.com](http://www.impex-fitness.com)

**IMPEX<sup>®</sup> INC.**  
**14777 Don Julian Rd.,**  
**City of Industry, CA 91746**

### **ORDERING REPLACEMENT PARTS**

Replacement parts can be ordered by calling our Customer Service Department toll-free at **1-800-999-8899** during our regular business hours: Monday through Friday, 9 am until 5 pm Pacific standard time.

**[info@impex-fitness.com](mailto:info@impex-fitness.com)**

When ordering replacement parts, always give the following information.

1. Model
2. Description of Part
3. Part Number
4. Date of Purchase