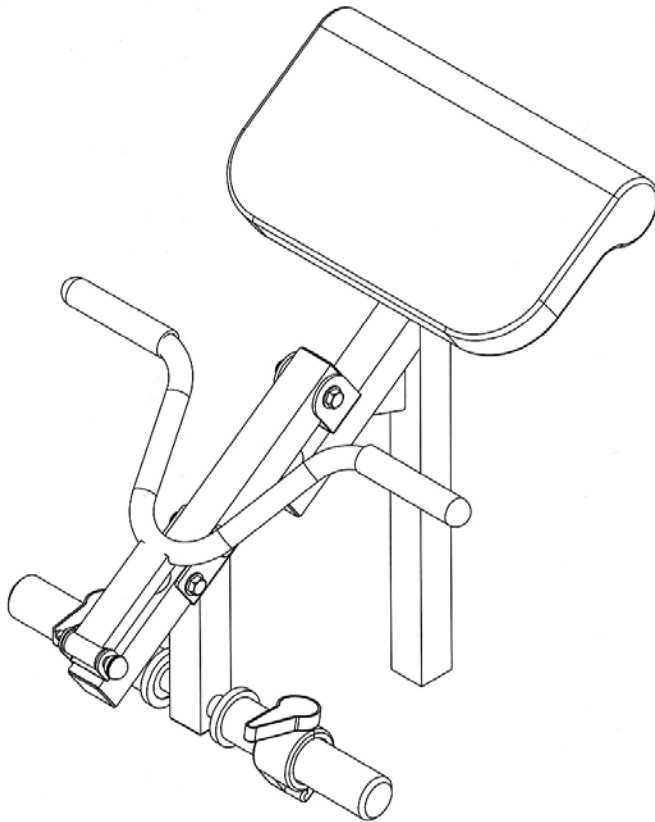


MP EX

F I T N E S S P R O D U C T S

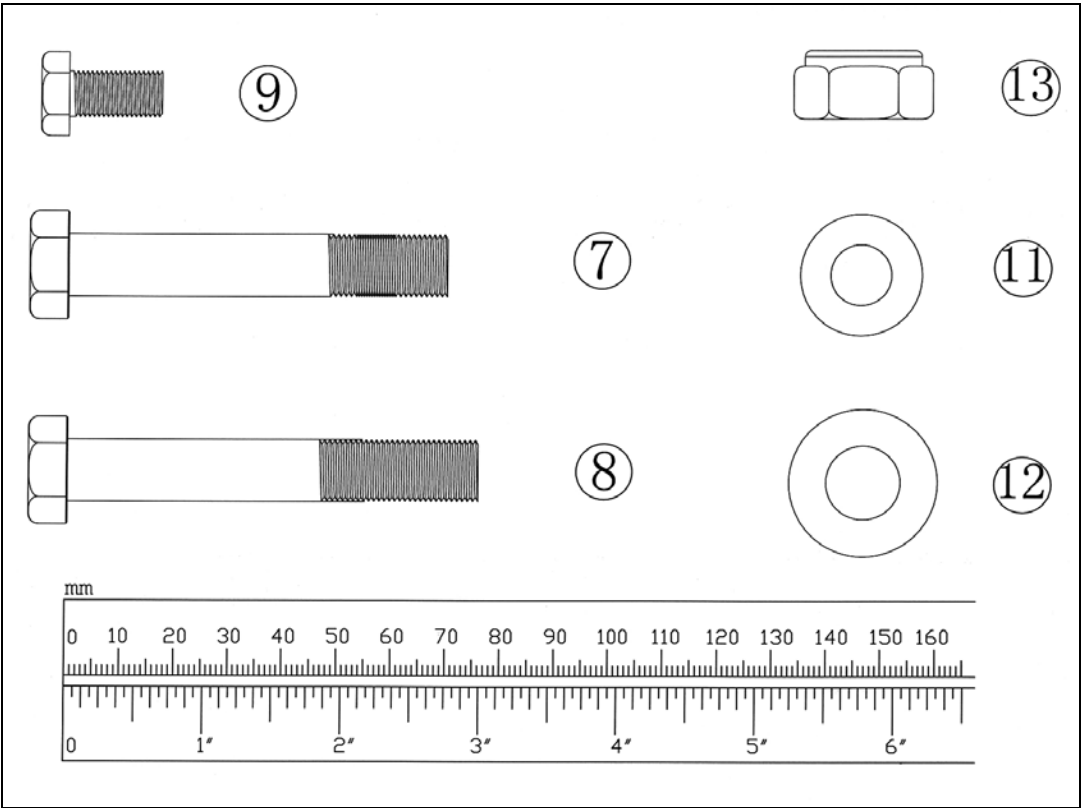
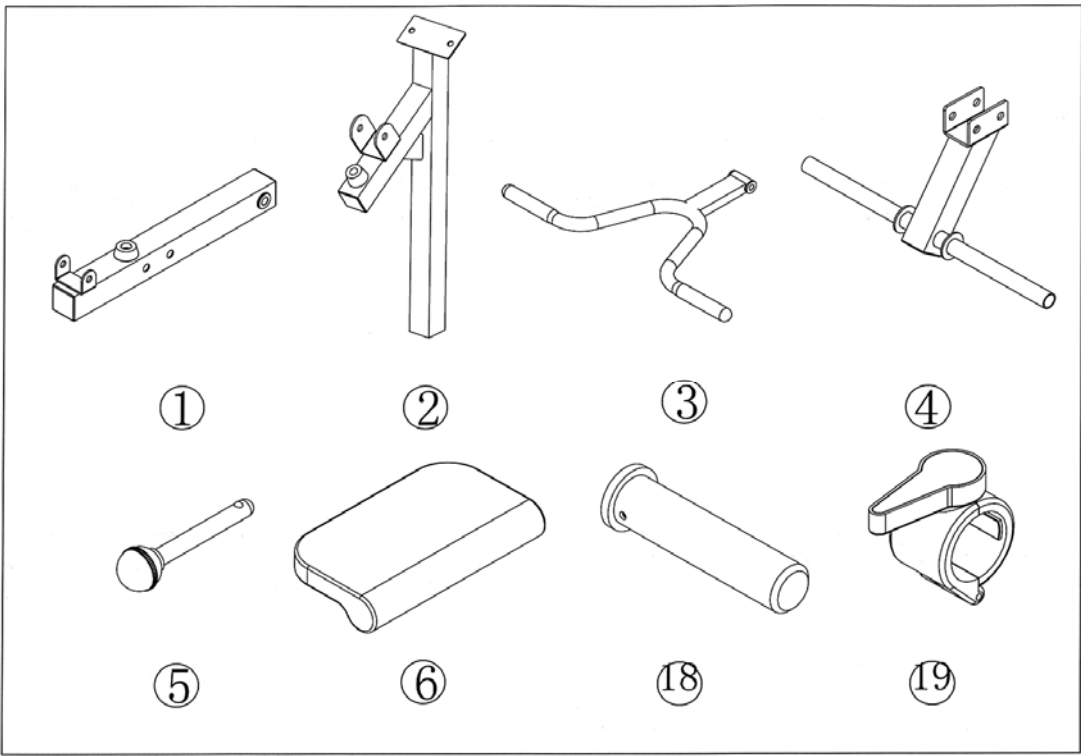
MARCY PRO ARM CURL PM-30

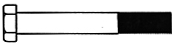




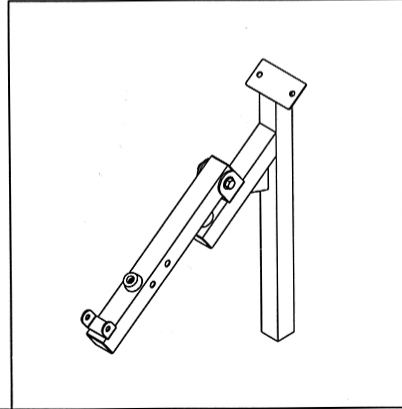
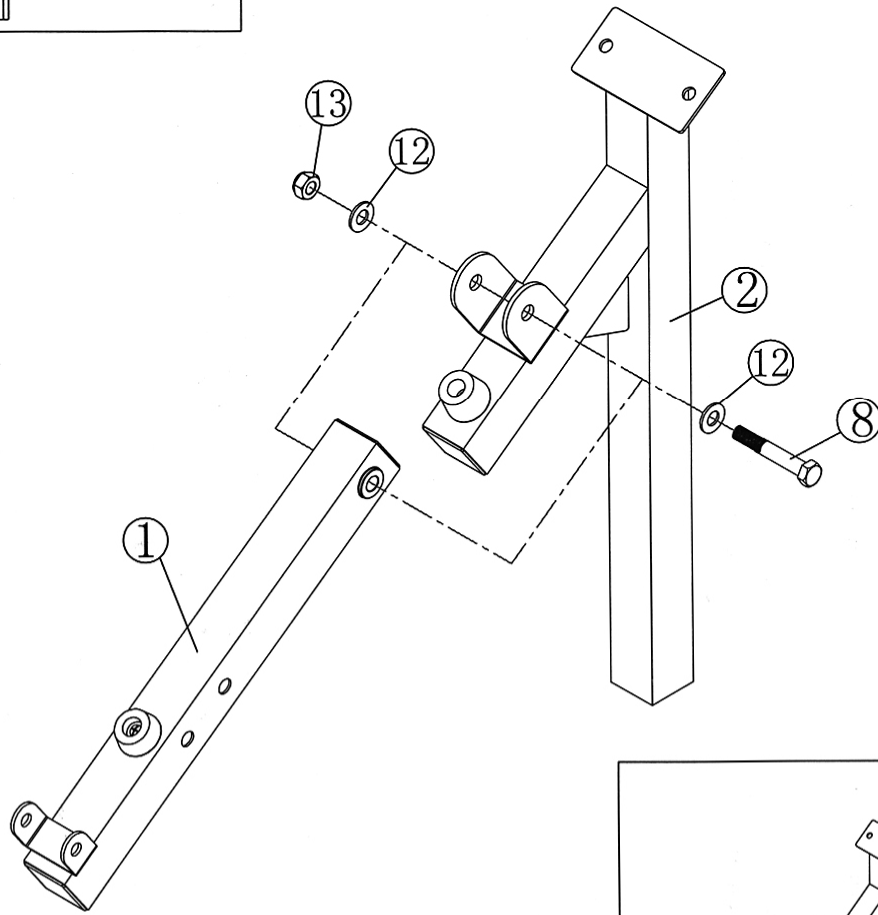
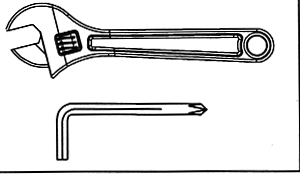
IMPORTANT: Please read the Important Assembly Information in the Owner's manual before assembling this equipment.

Assembly Manual

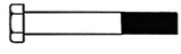



110524

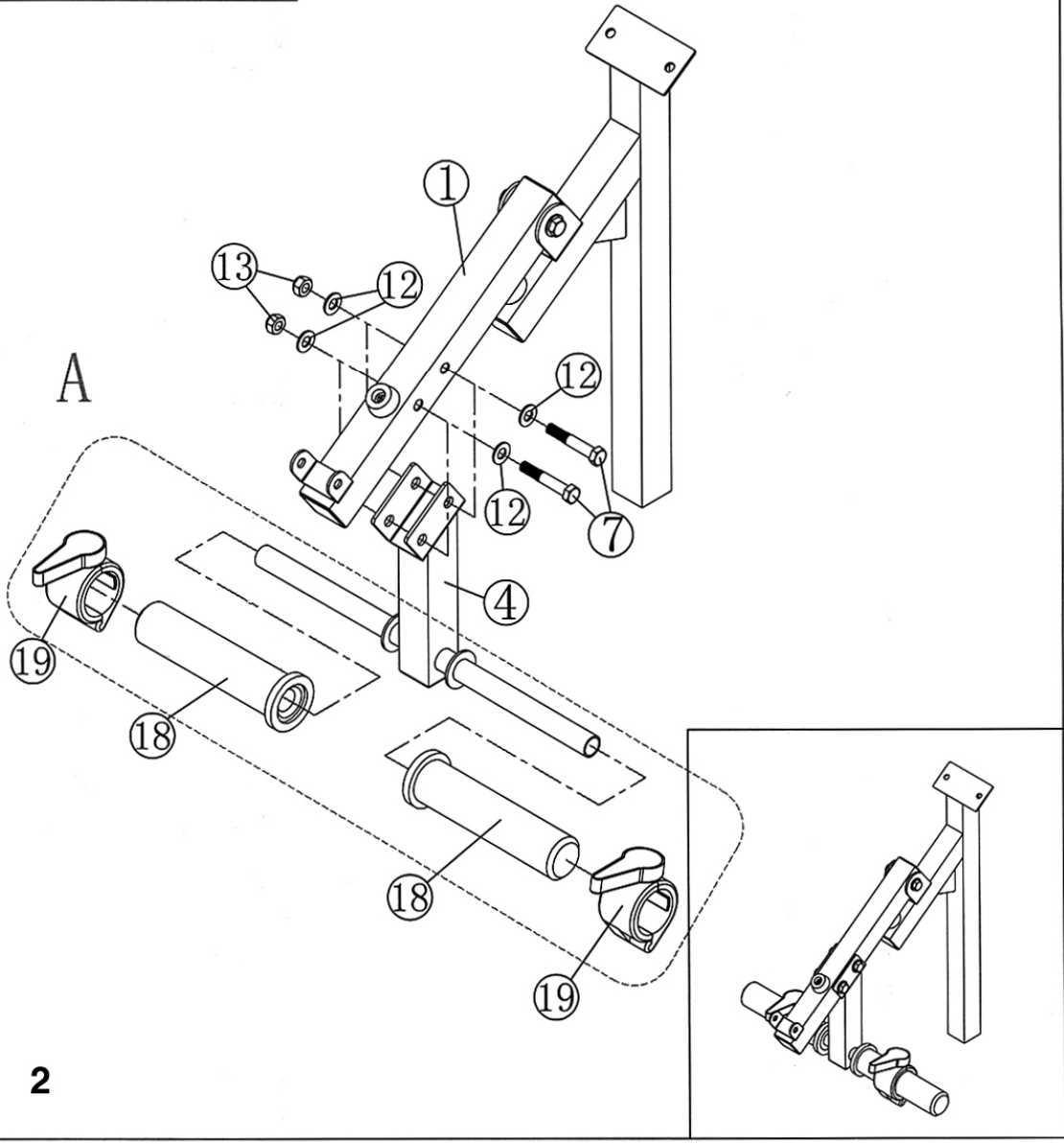
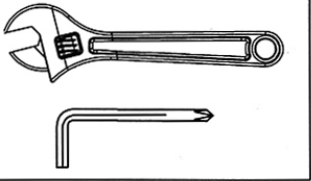


- | | | | |
|---|---|---|----------|
| ⑧ |  | 1 | M12 x 3" |
| ⑫ |  | 2 | Ø 1" |
| ⑬ |  | 1 | M12 |

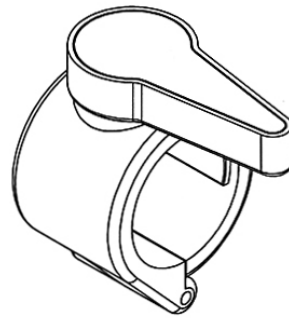
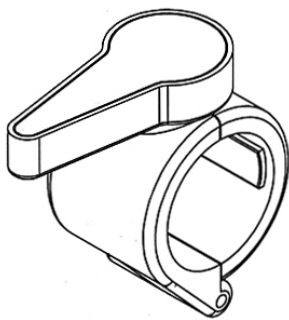
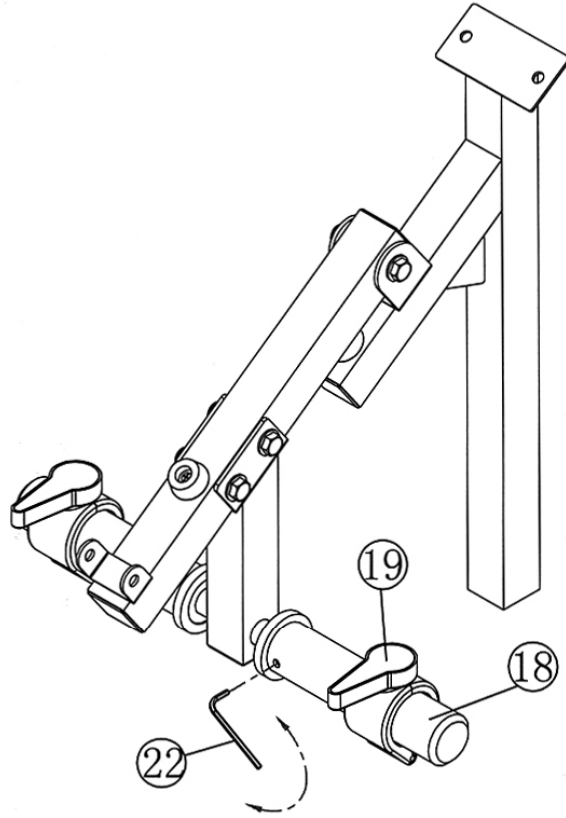


1

- | | | | | | | | |
|---|---|---|-----------------------|---|---|---|------|
| ⑦ |  | 2 | M12 x $\frac{3}{4}$ " | ⑫ |  | 4 | Ø 1" |
| ⑬ |  | 2 | M12 | | | | |
| ⑳ |  | 1 | | | | | |

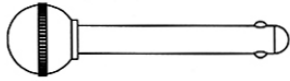


A

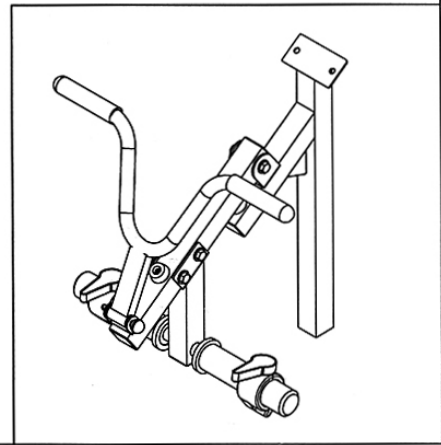
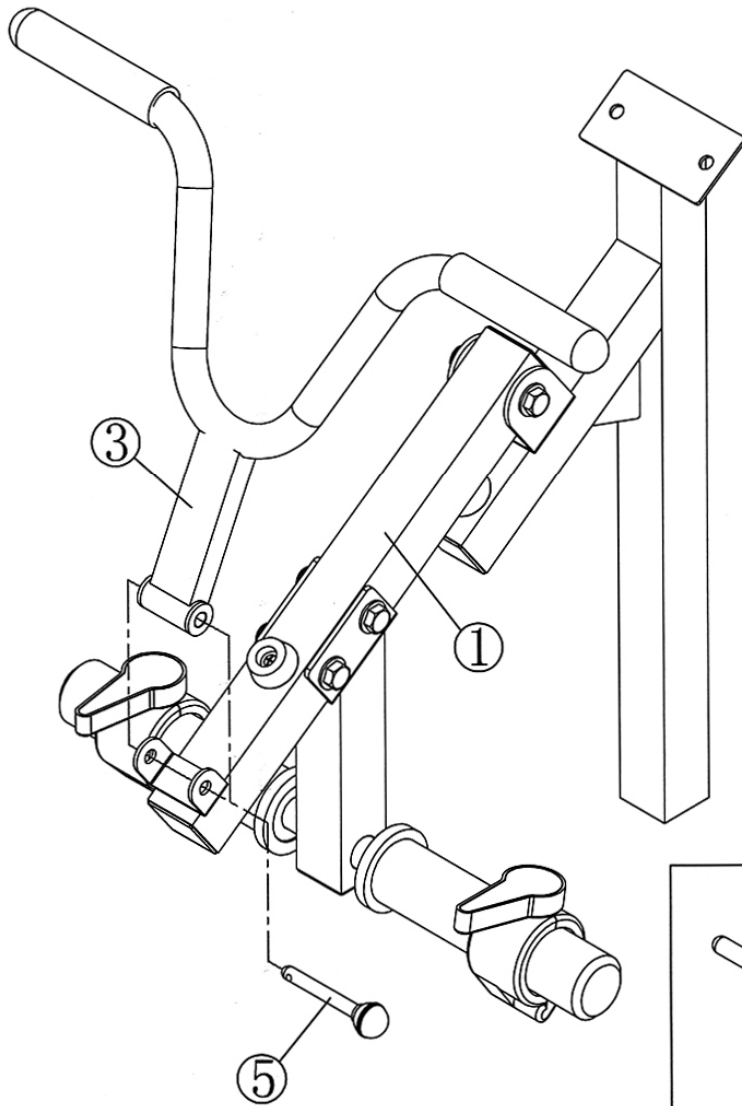




2A

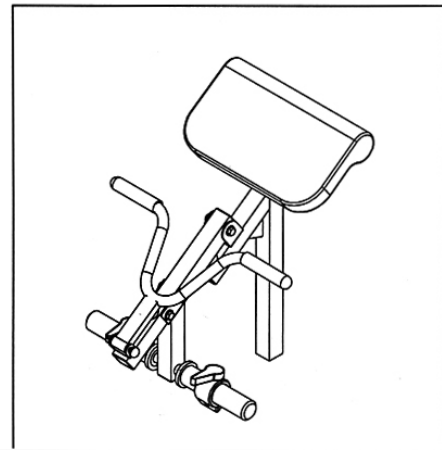
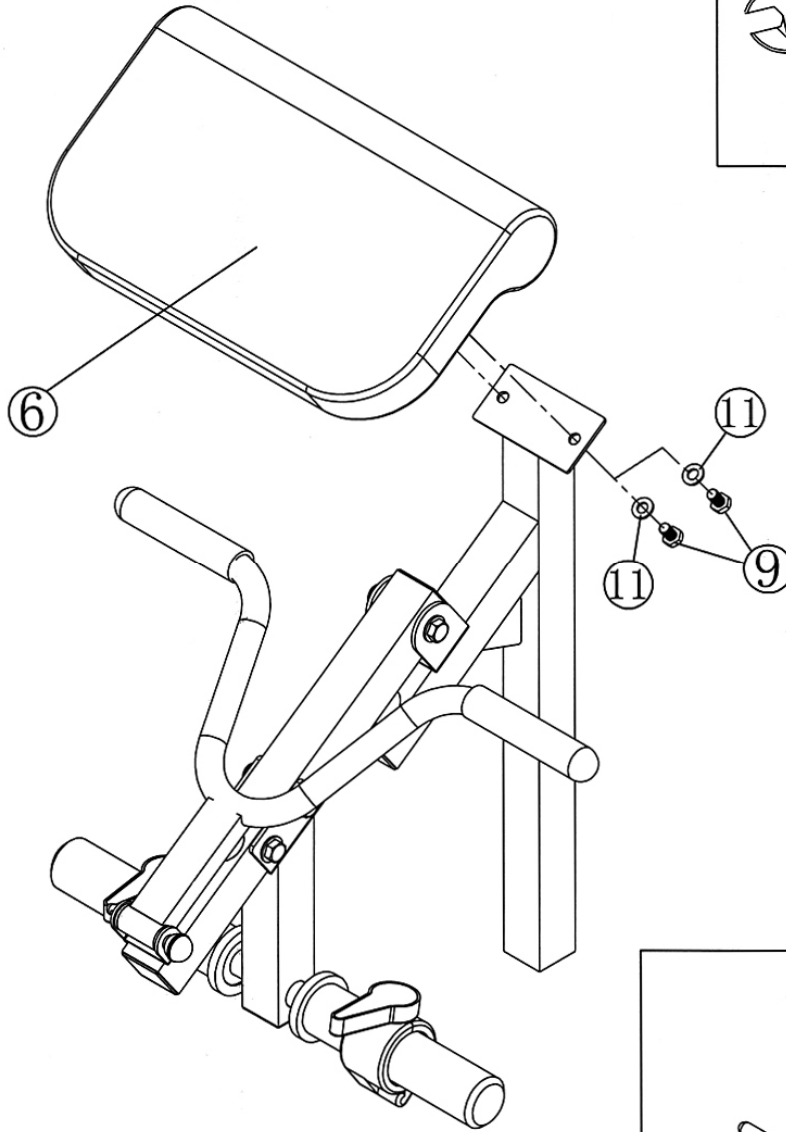
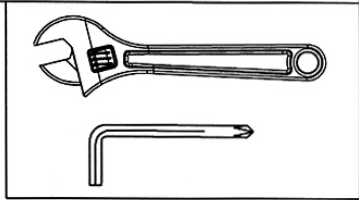
7



1



- | | | | |
|---|---|---|---------------------------|
| ⑨ |  | 2 | M10 x $\frac{5}{8}$ " |
| ⑪ |  | 2 | $\emptyset \frac{3}{4}$ " |



4

IMPEX® INC.

14777 DON JULIAN RD., CITY OF INDUSTRY, CA 91746

Tel: (800) 999-8899 Fax: (626) 961-9966

www.impex-fitness.com

info@impex-fitness.com