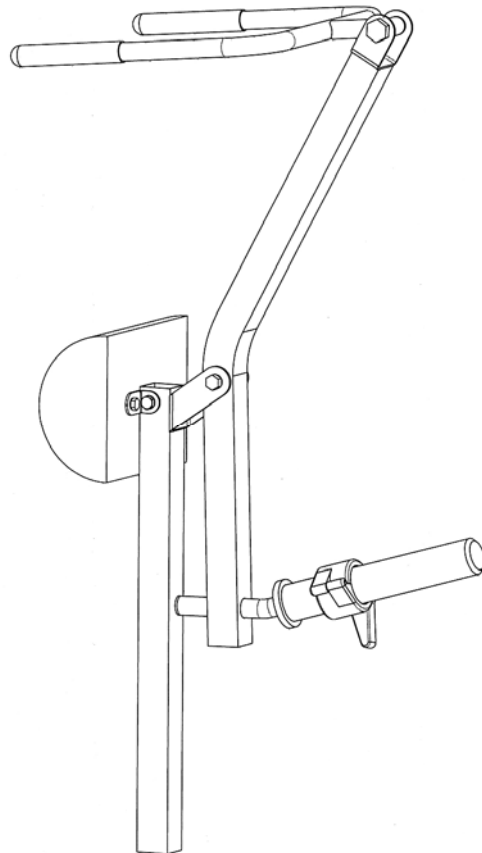


MP EX

F I T N E S S P R O D U C T S

MARCY PRO ABDOMINAL TRAINER PM-40



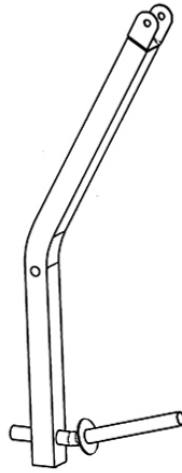
IMPORTANT: Please read the Important Assembly Information in the Owner's manual before assembling this equipment.

Assembly Manual

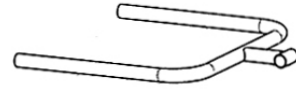
120629



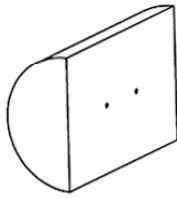
① X1



② X1



③ X1



④ X1



⑤ X1



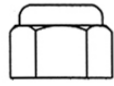
⑥ X1



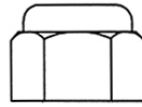
⑦ X2



⑬ X1



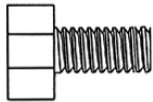
⑭ X1



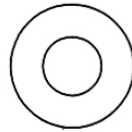
⑮ X1



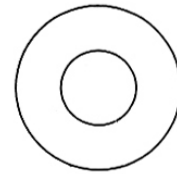
⑯ X4



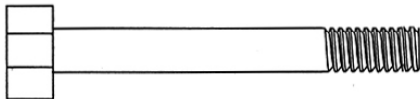
⑪ X2



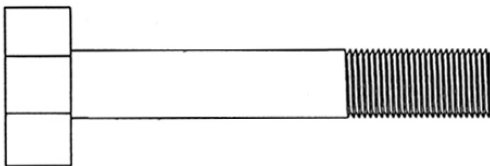
⑰ X2



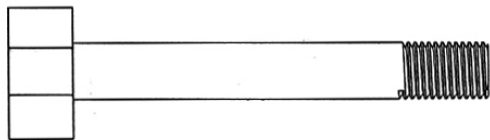
⑱ X2



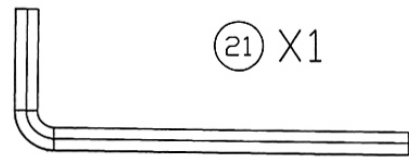
⑫ X1



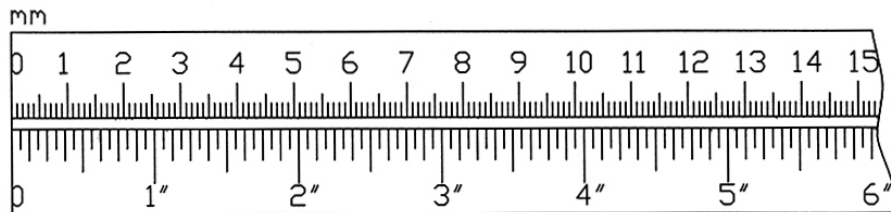
⑩ X1

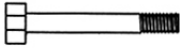
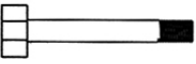






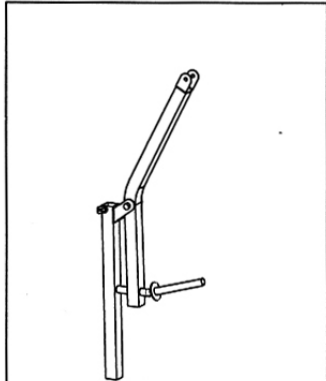
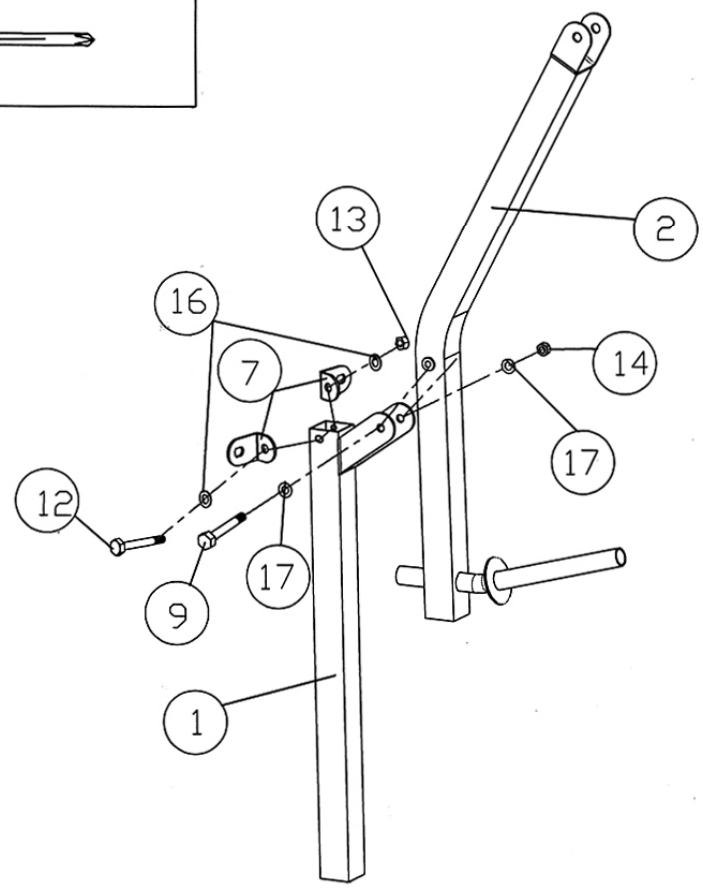
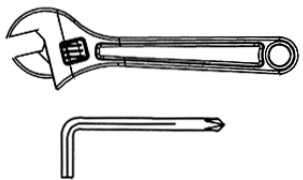
⑨ X1



⑲ X1

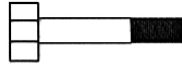


⑫		M8 × 2 ½"	1
⑨		M10 × 2 ¾"	1
⑯		∅ 5/8"	2
⑰		∅ 3/4"	2
⑬		M8	1
⑭		M10	1



1

10



M12 x 2 3/4"

1

15



M12

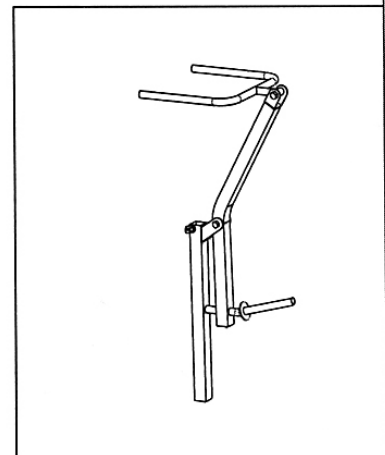
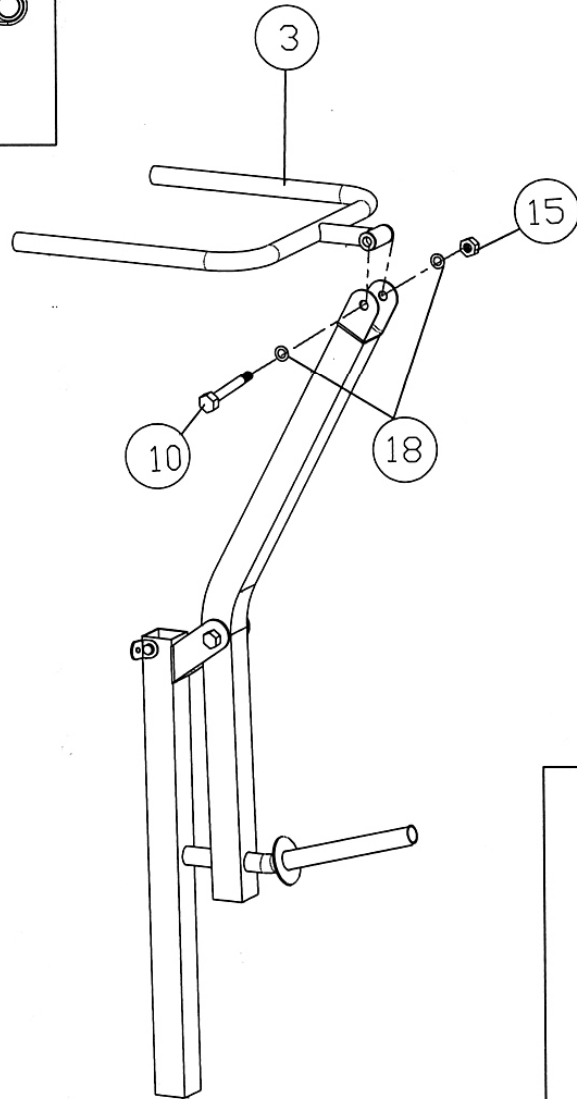
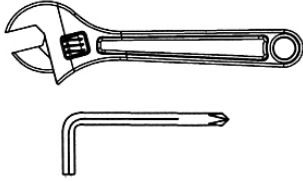
1

18





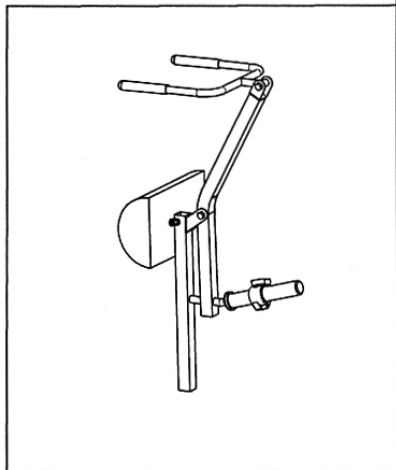
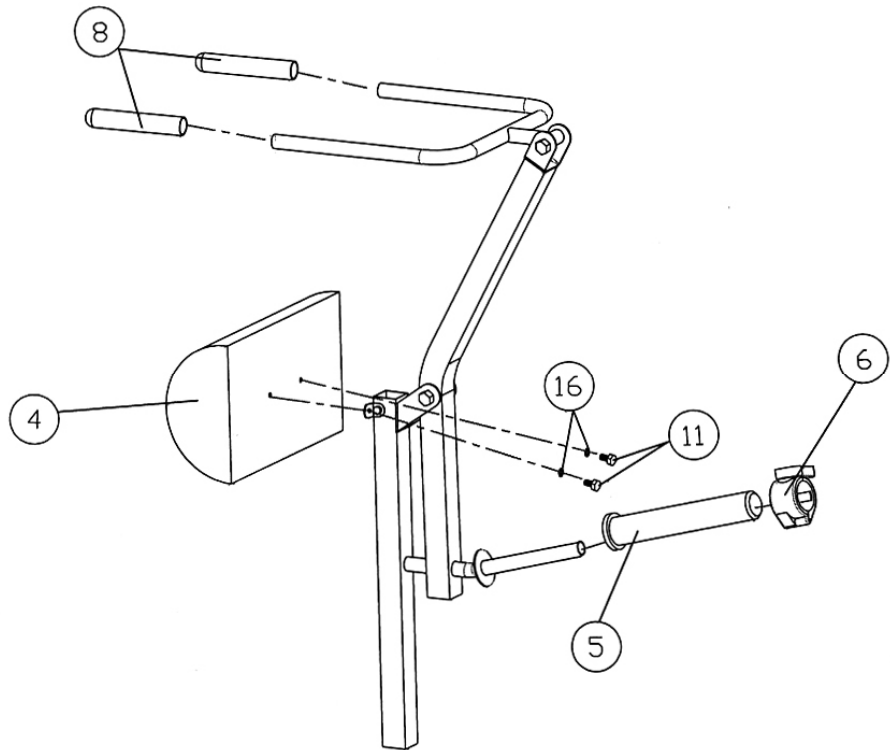
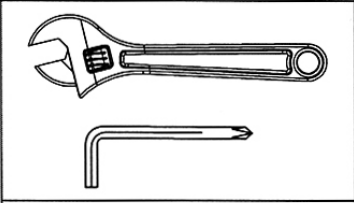
Ø 1"

2

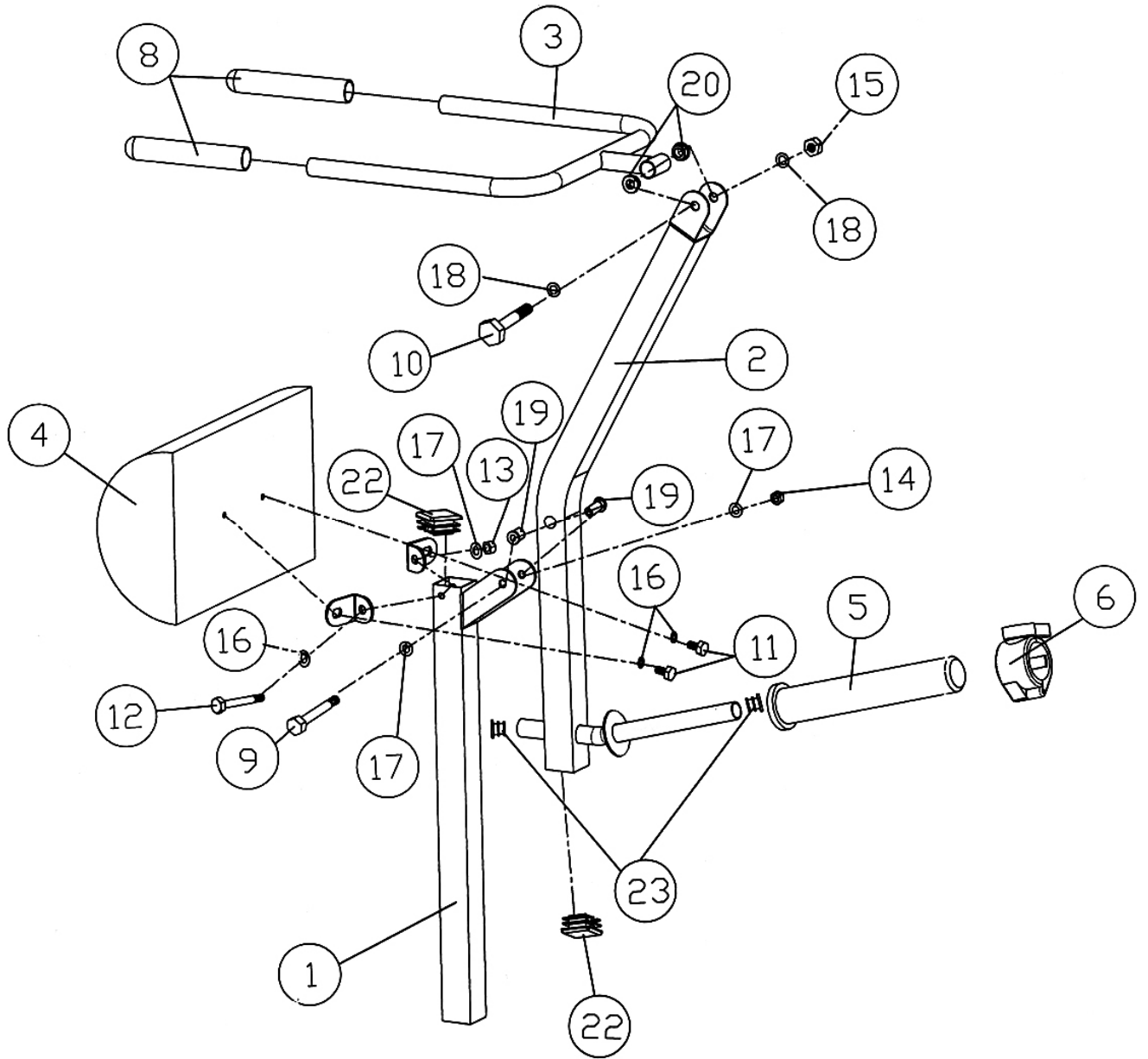


2

⑪		M8 × 3/4"	2
⑫		∅ 5/8"	2



3



IMPEX[®] INC.

2801 S. Towne Ave, Pomona, CA 91766
Tel: (800) 999-8899 Fax: (626) 961-9966

www.impex-fitness.com

info@impex-fitness.com