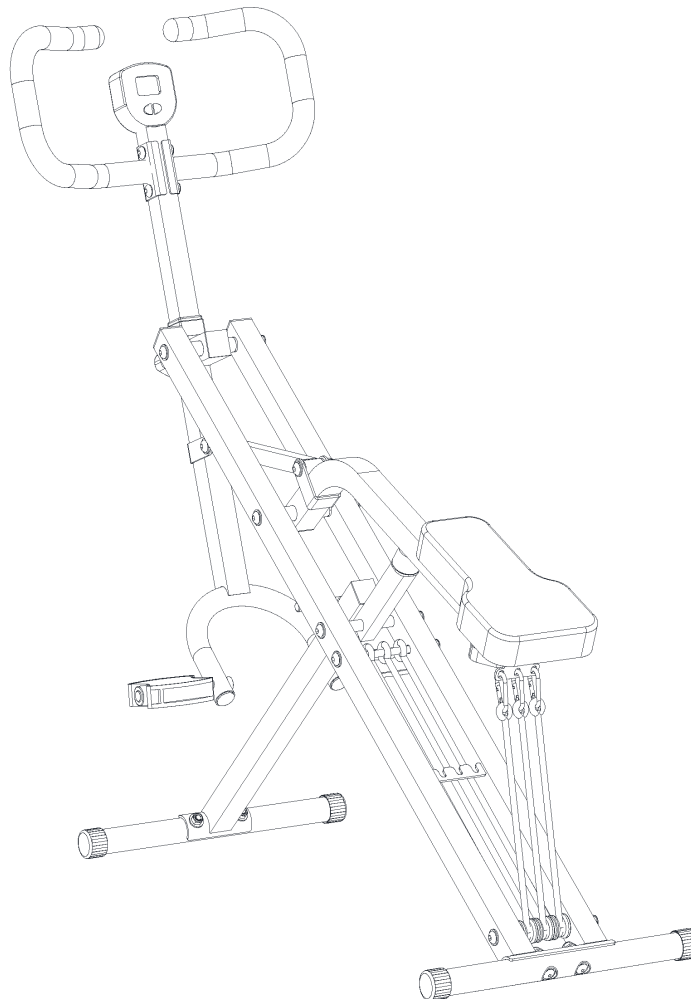


MARCY[®]

SQUAT RIDER

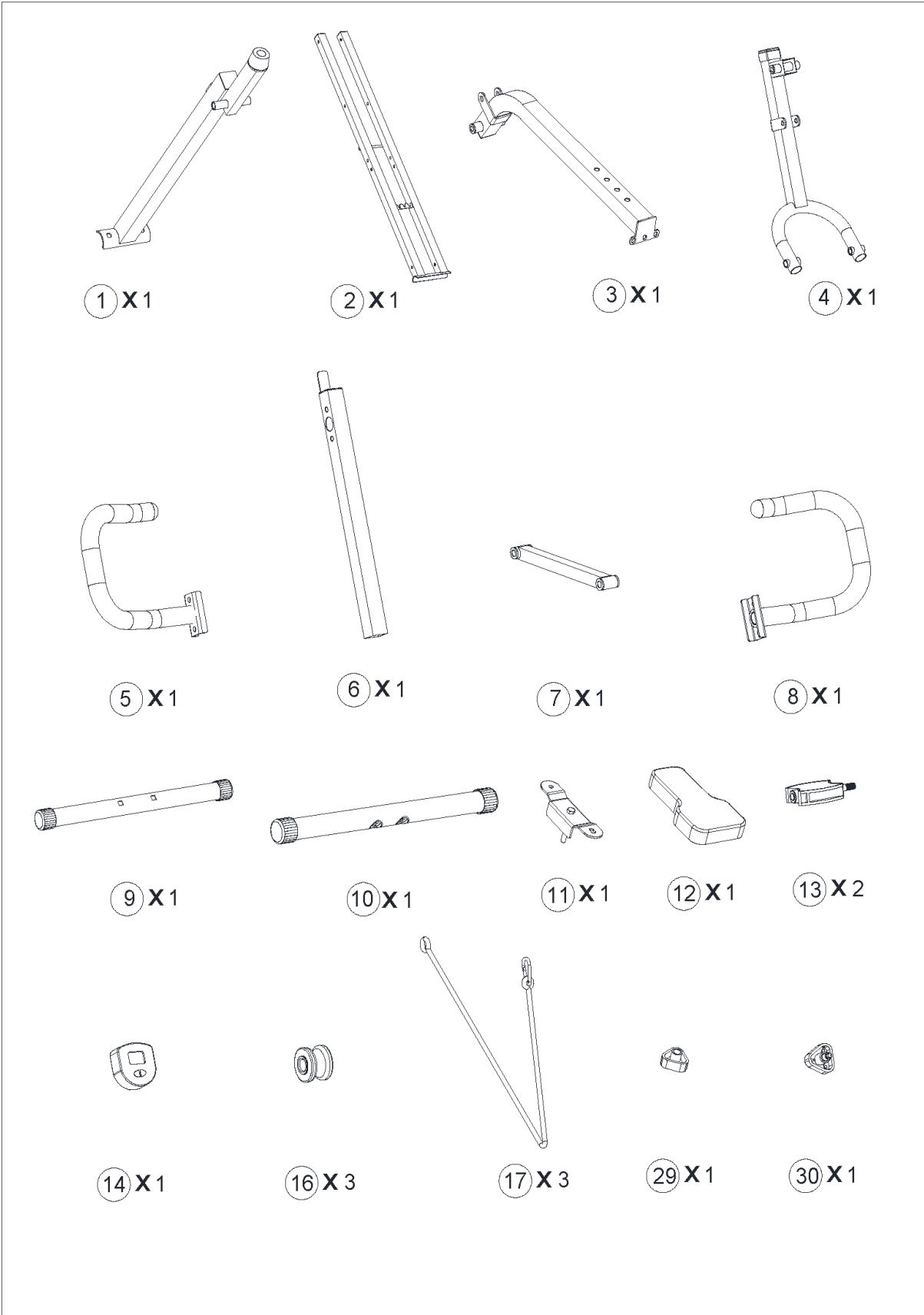
XJ-6334

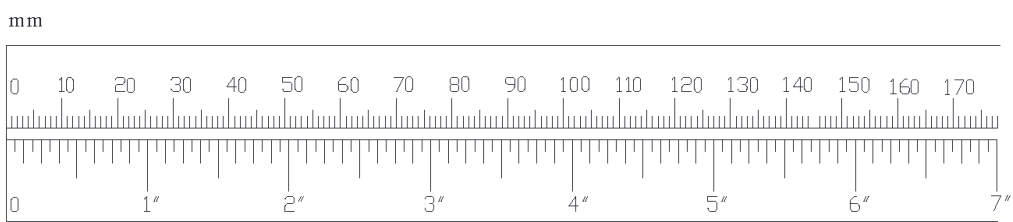
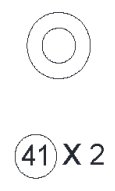
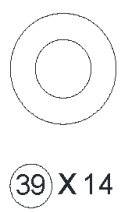
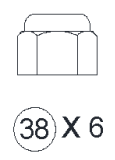
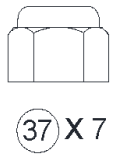
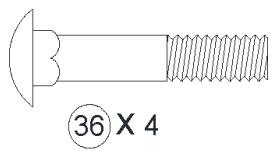
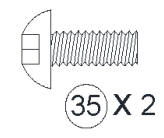
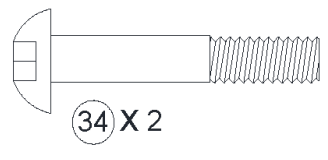
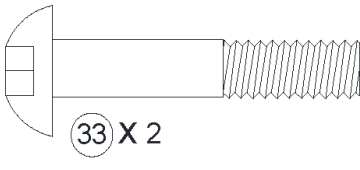
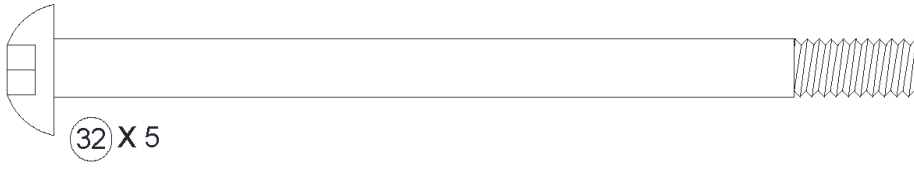


IMPORTANT: Please read the Important Safety Notice and Assembly Information in the Owner's manual before assembling this product.

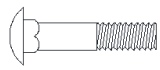
Assembly Manual

190703





36 X 2



M8 x 1 $\frac{5}{8}$ "

38 X 2

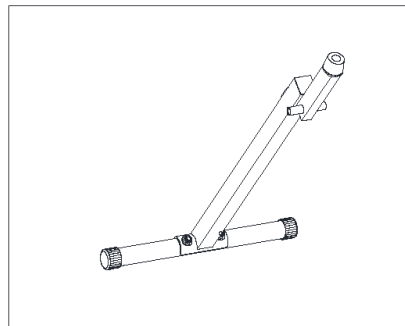
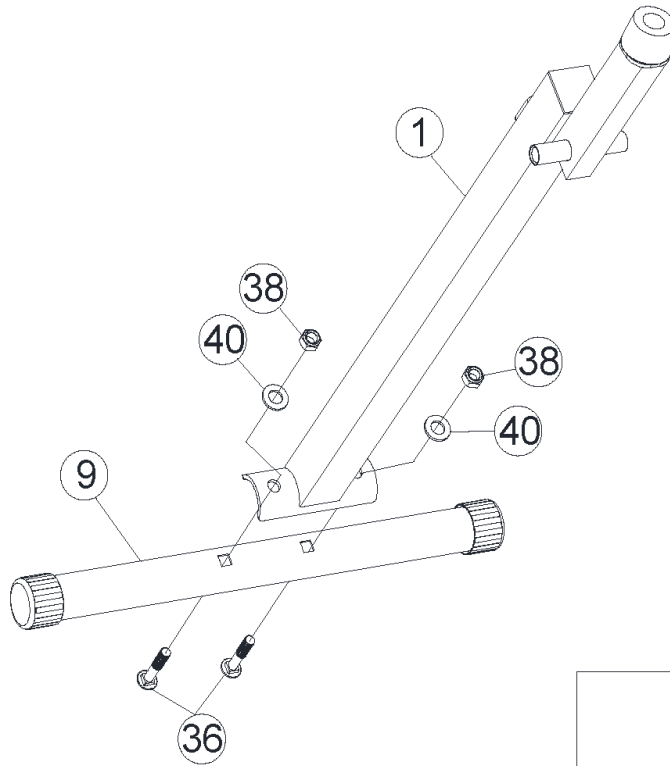
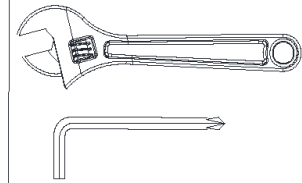


M8

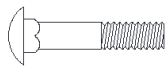
40 X 2



? $\frac{5}{8}$ "



36 X 2



M8 x 1 $\frac{5}{8}$ "

38 X 2

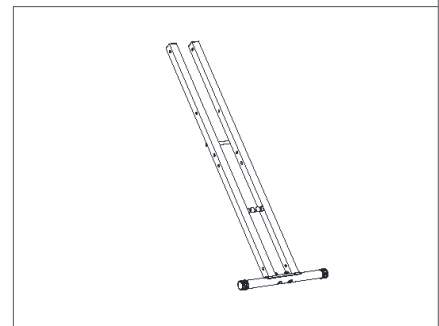
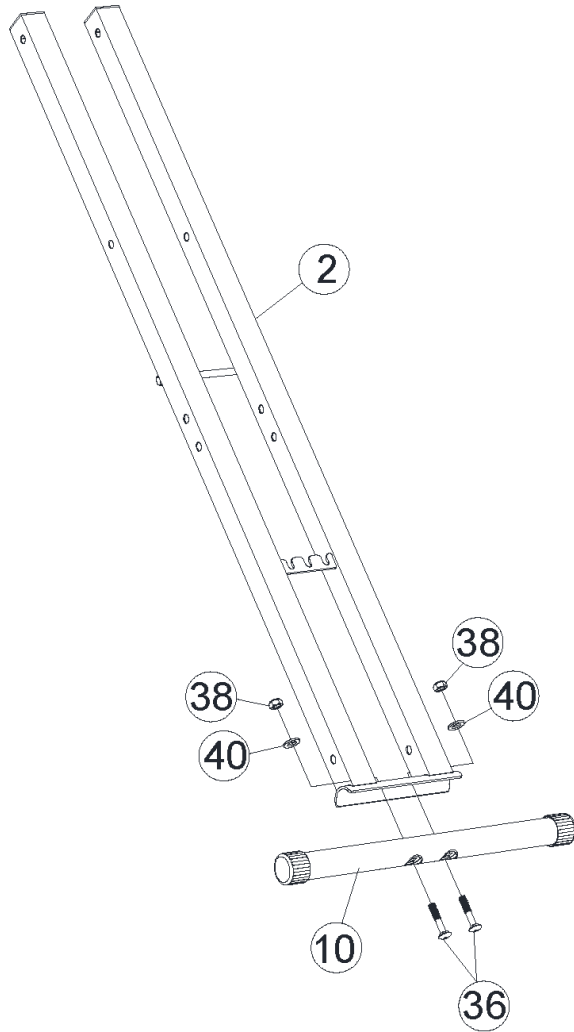
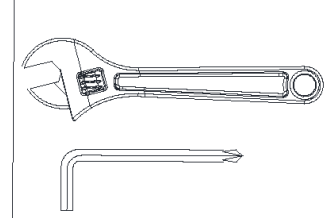


M8

40 X 2



? $\frac{5}{8}$ "



32 X 2



M10 x 6"

37 X 2

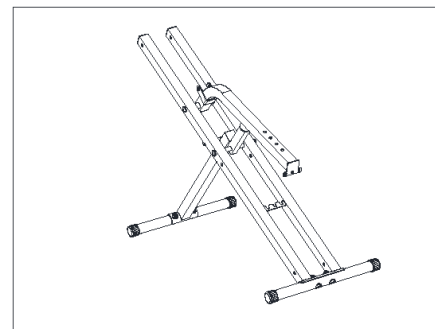
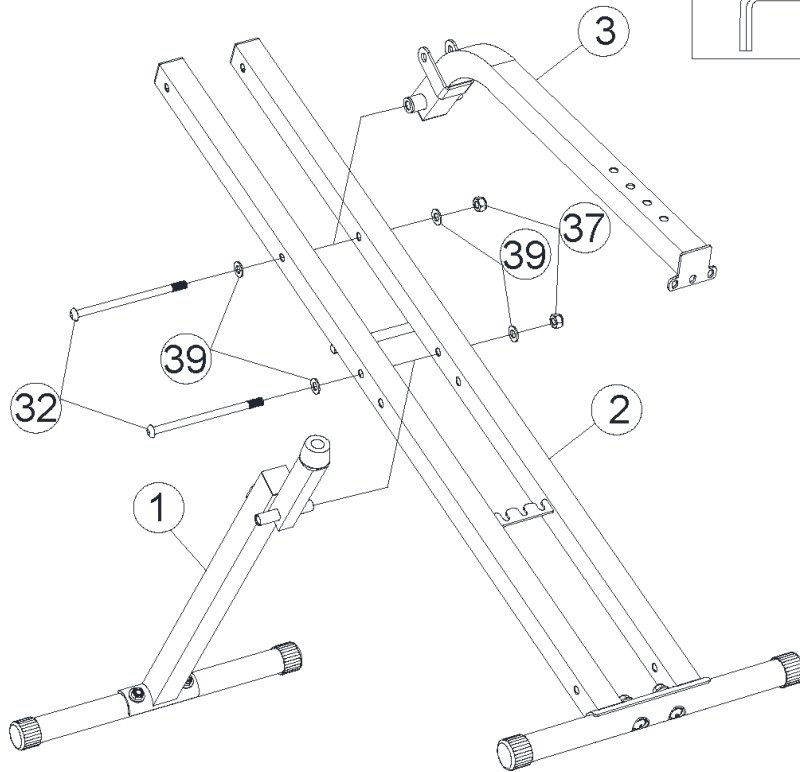
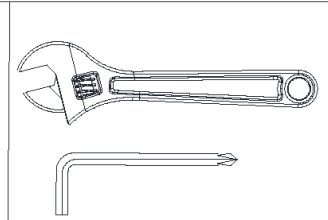


M10

39 X 4



? 3/4"



32 X 1



M10 x 6 "

37 X 1

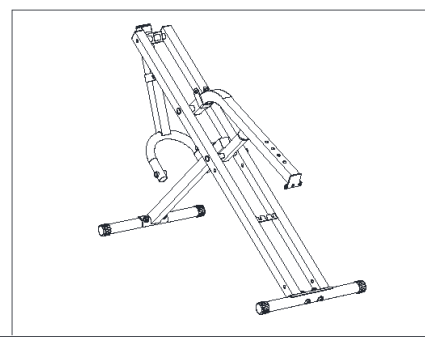
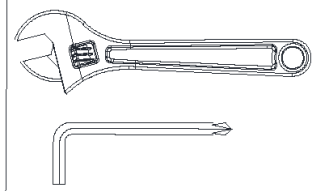
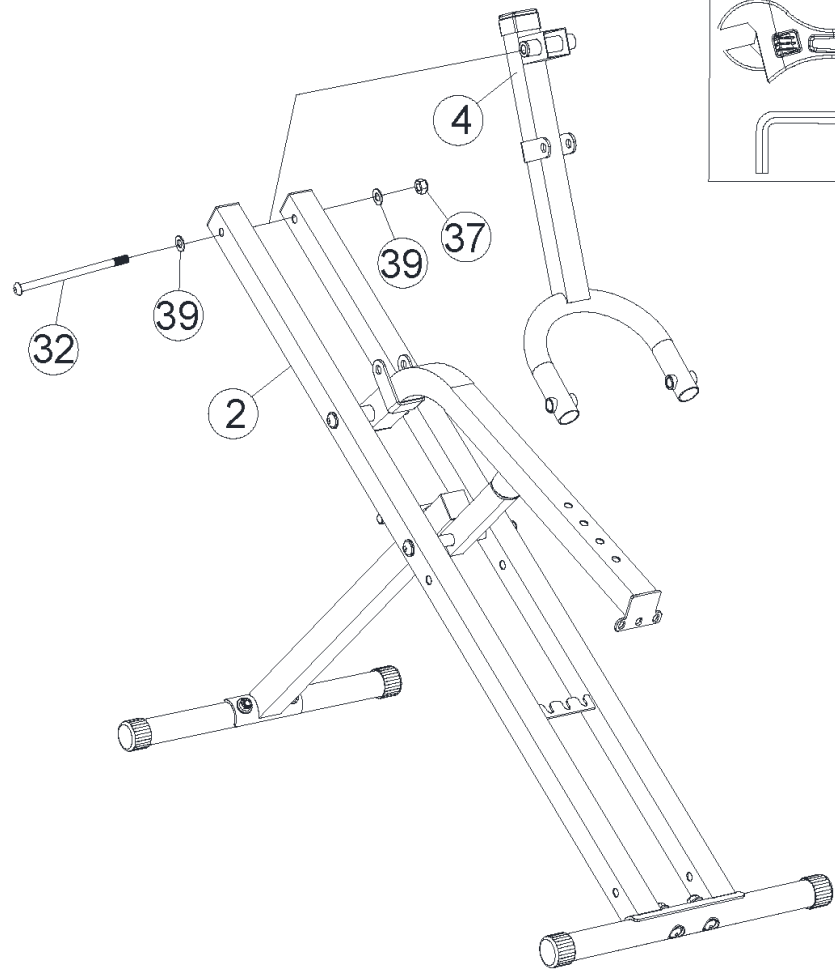


M10

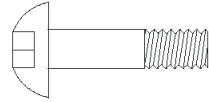
39 X 2



? $\frac{3}{4}$ "



33 X 2



M10 x 2 1/8"

37 X 2

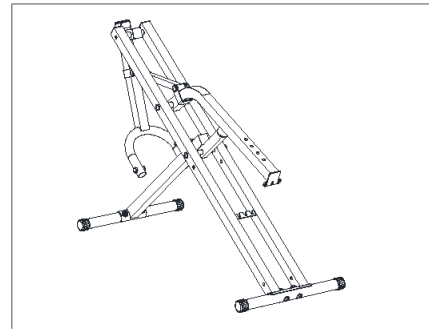
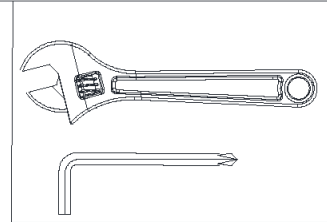
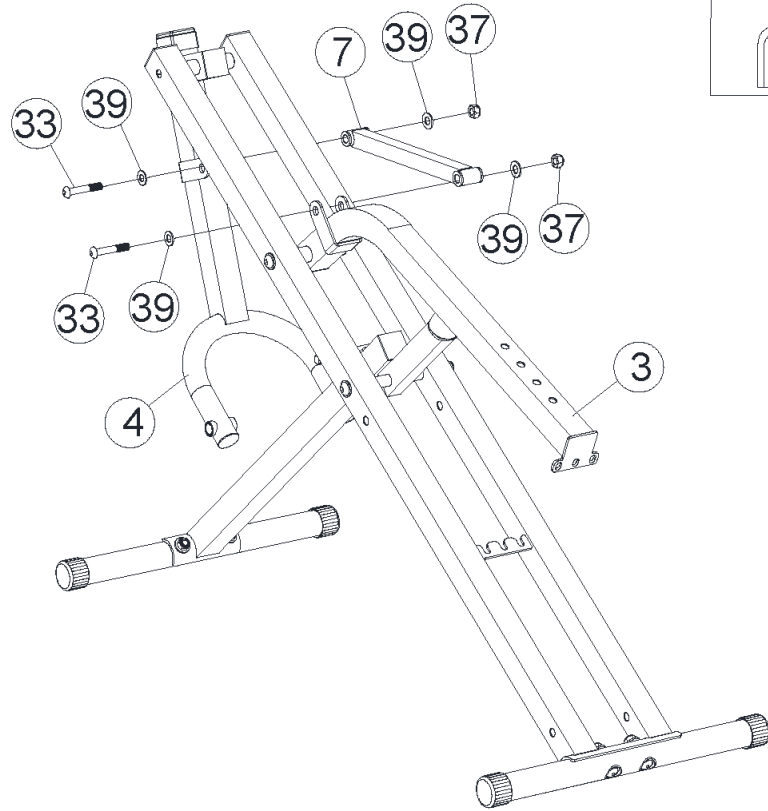


M10

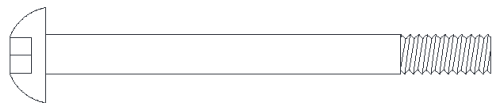
39 X 4



? 3/4"



32 X 2



M10 x 6 "

37 X 2

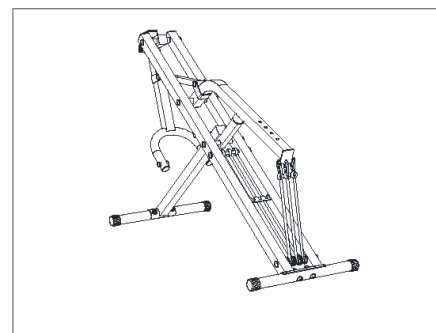
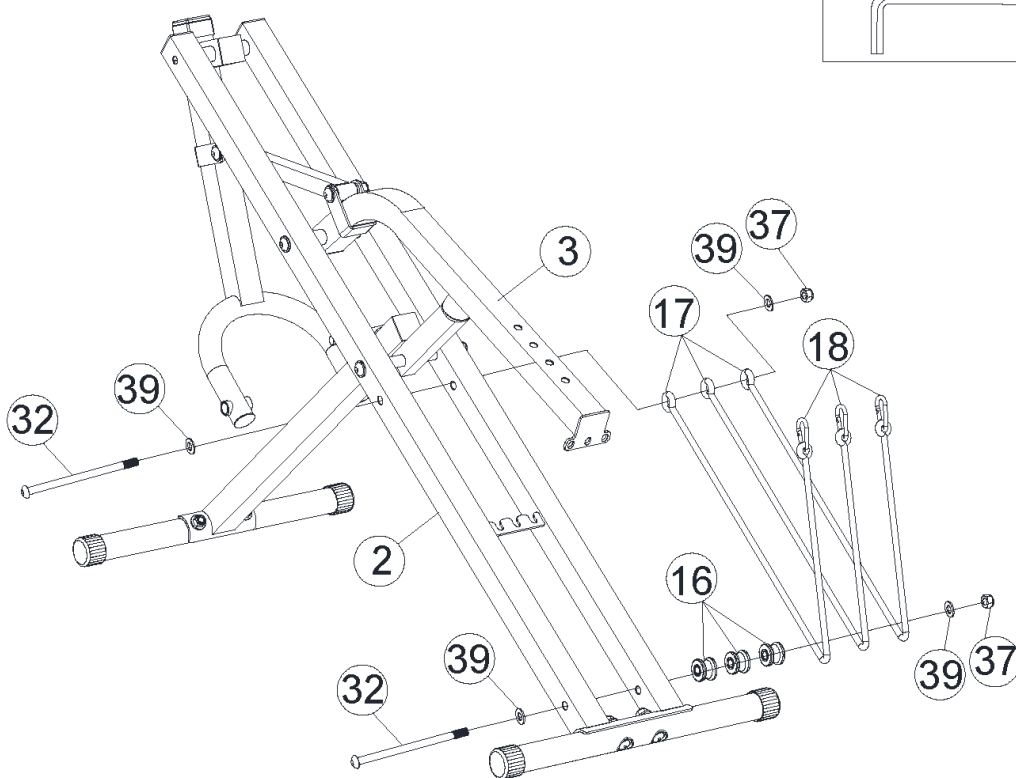
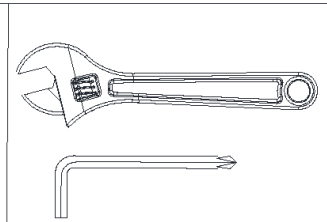


M10

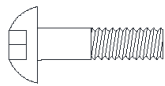
39 X 4



? 3/4 "



30 X 2



M8 x 1 7/8"

38 X 2

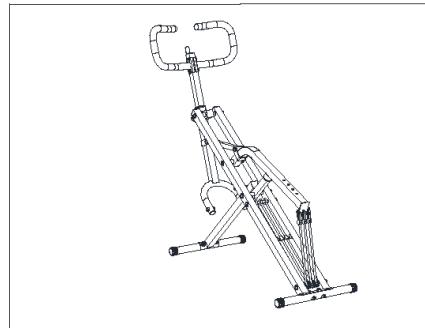
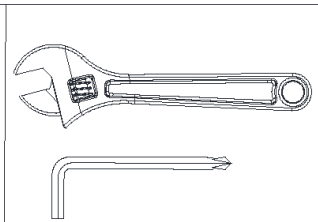
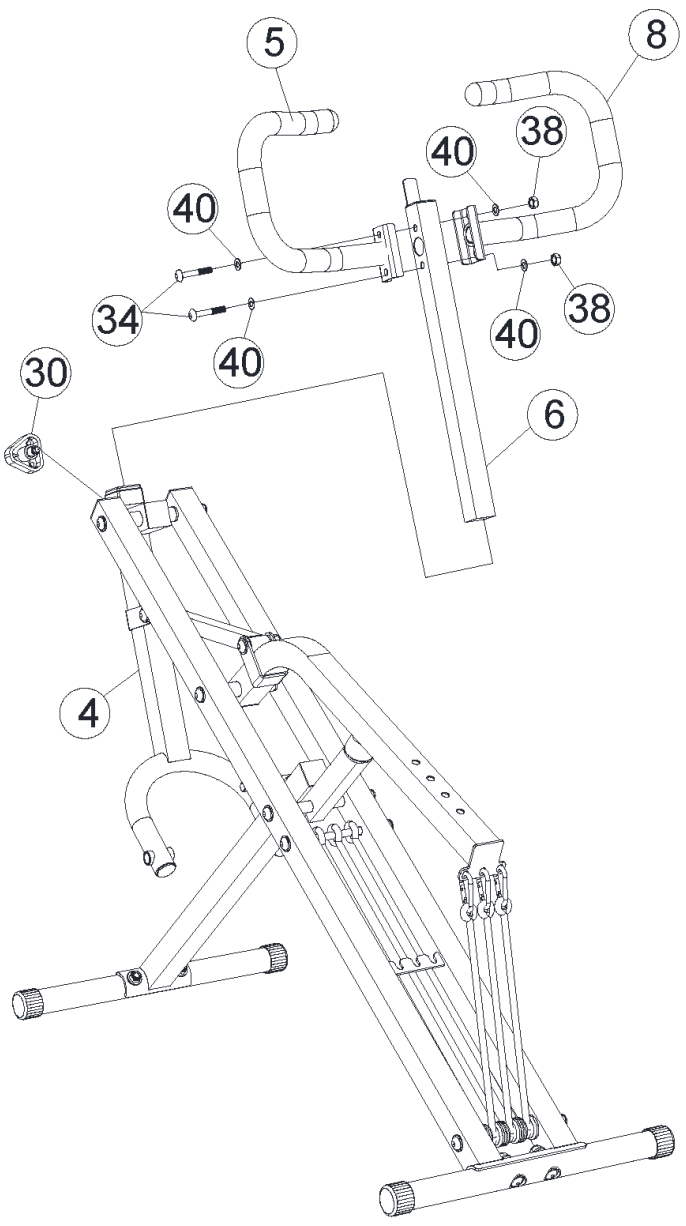


M8

40 X 4



? 3/4"



35 X 2

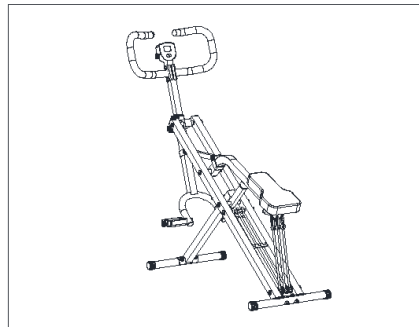
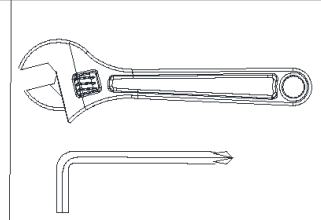
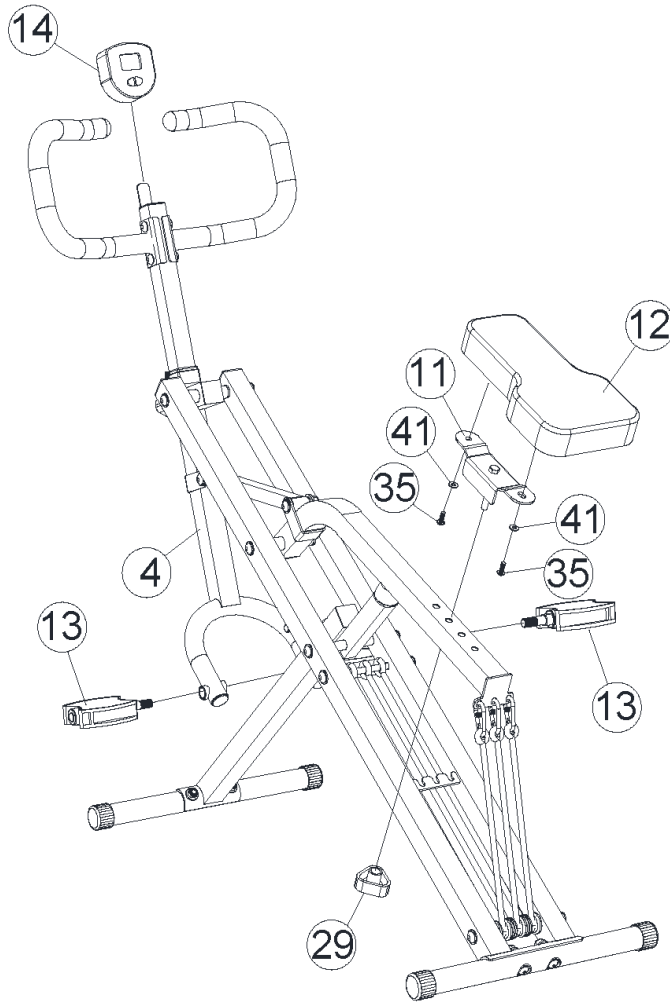


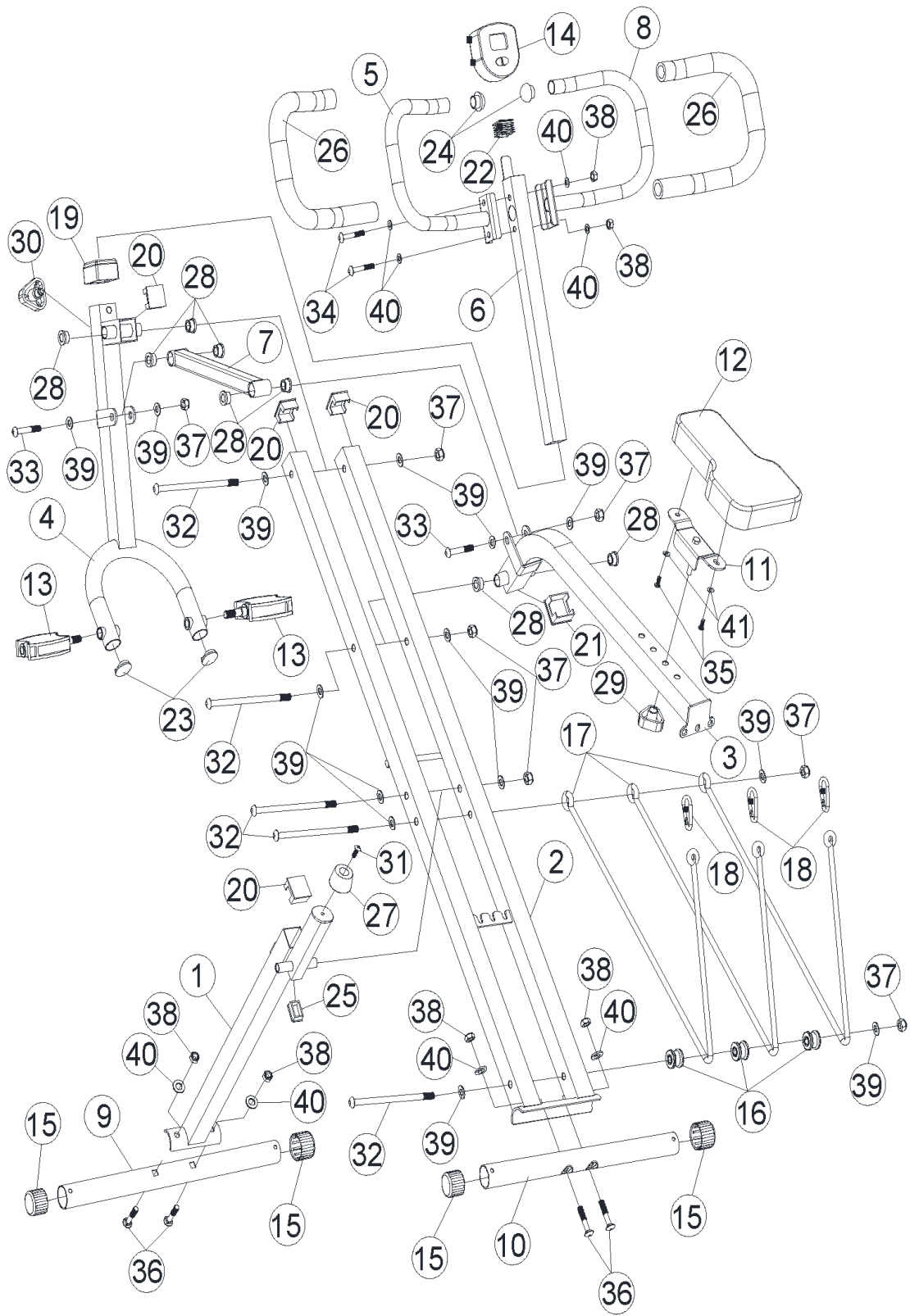
M6 x $\frac{5}{8}$ "

41 X 2



? $\frac{1}{2}$ "





IMPEX® INC.

2801 S. Towne Ave, Pomona, CA 91766

Tel: (800) 999-8899 Fax: (626) 961-9966

www.marcypro.com

support@impex-fitness.com