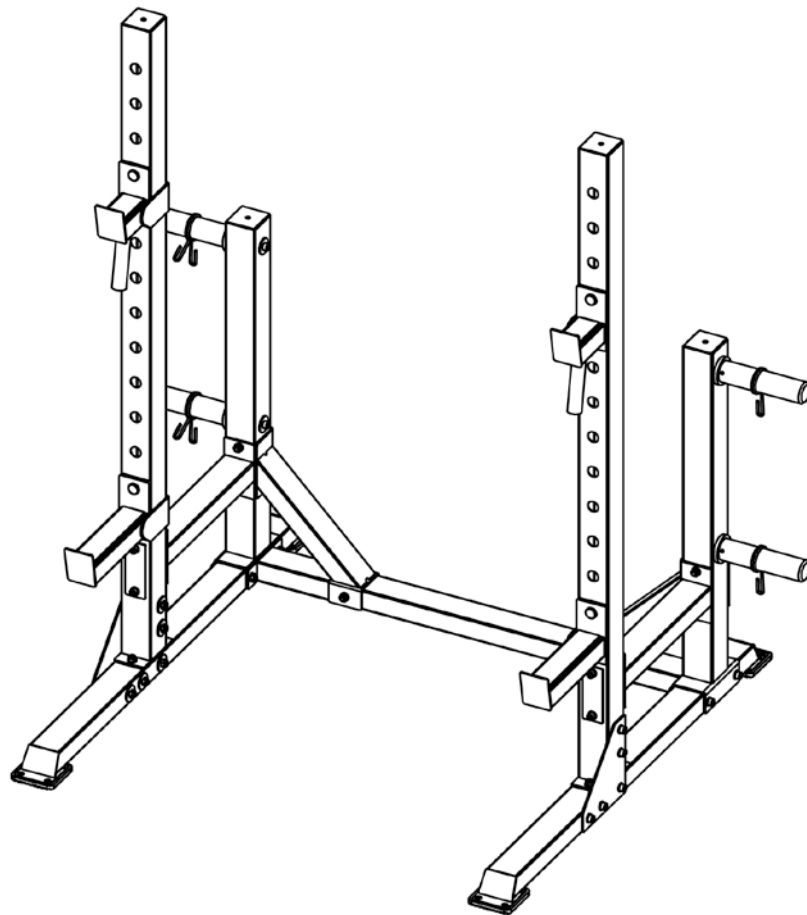


STEELBODY

BASE TRAINER

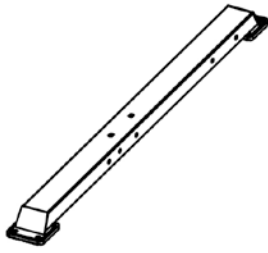
STB-70105



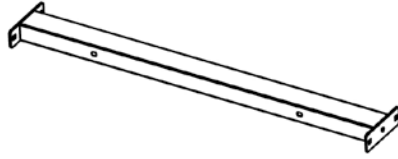
IMPORTANT: Please read the Important Safety Notice and Assembly Information in the Owner's manual before assembling this product.

Assembly Manual

150825



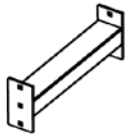
① × 2



③ × 1



② × 2



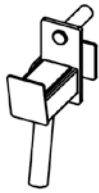
④ × 2



⑤ × 2



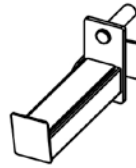
⑥ × 4



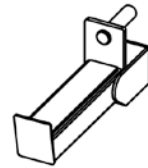
⑦ × 1



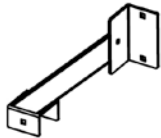
⑧ × 1



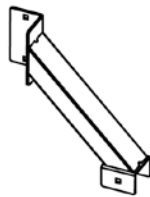
⑨ × 1



⑩ × 1



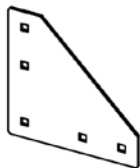
⑪ × 1



⑫ × 1



⑬ × 4



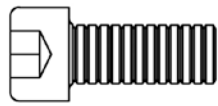
⑭ × 2



⑲ × 4



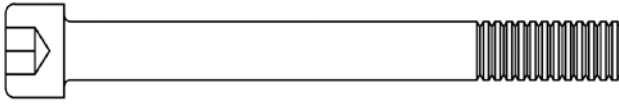
⑳ × 4



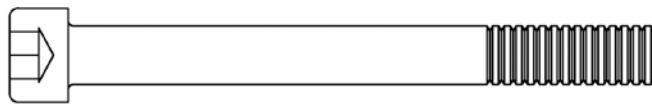
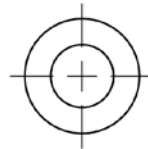
②② × 4



②⑥ × 2 8

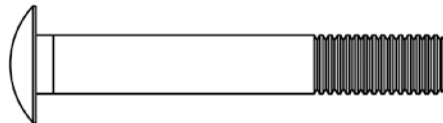


②③ × 1 0

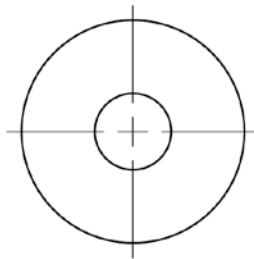


②④ × 1 4

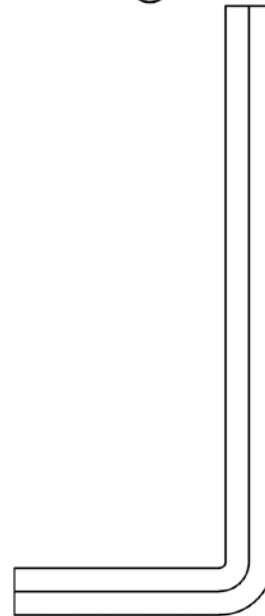
②⑧ × 4 2



②⑤ × 4

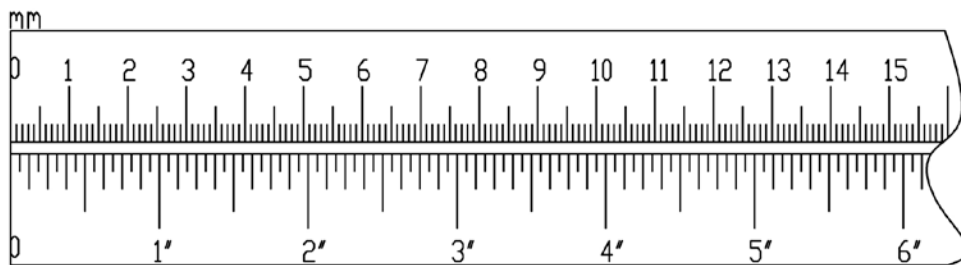


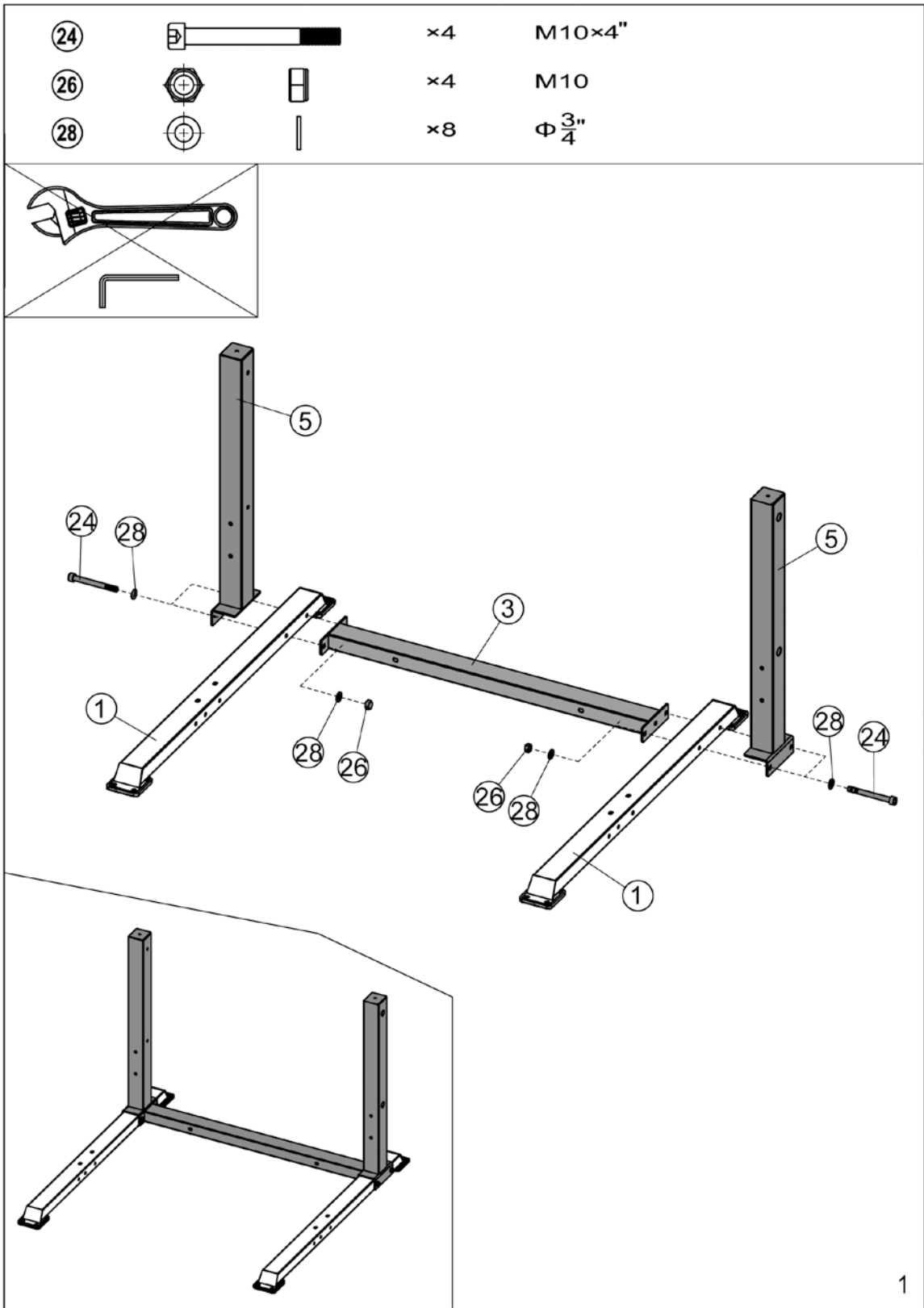
4# × 1

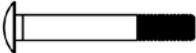




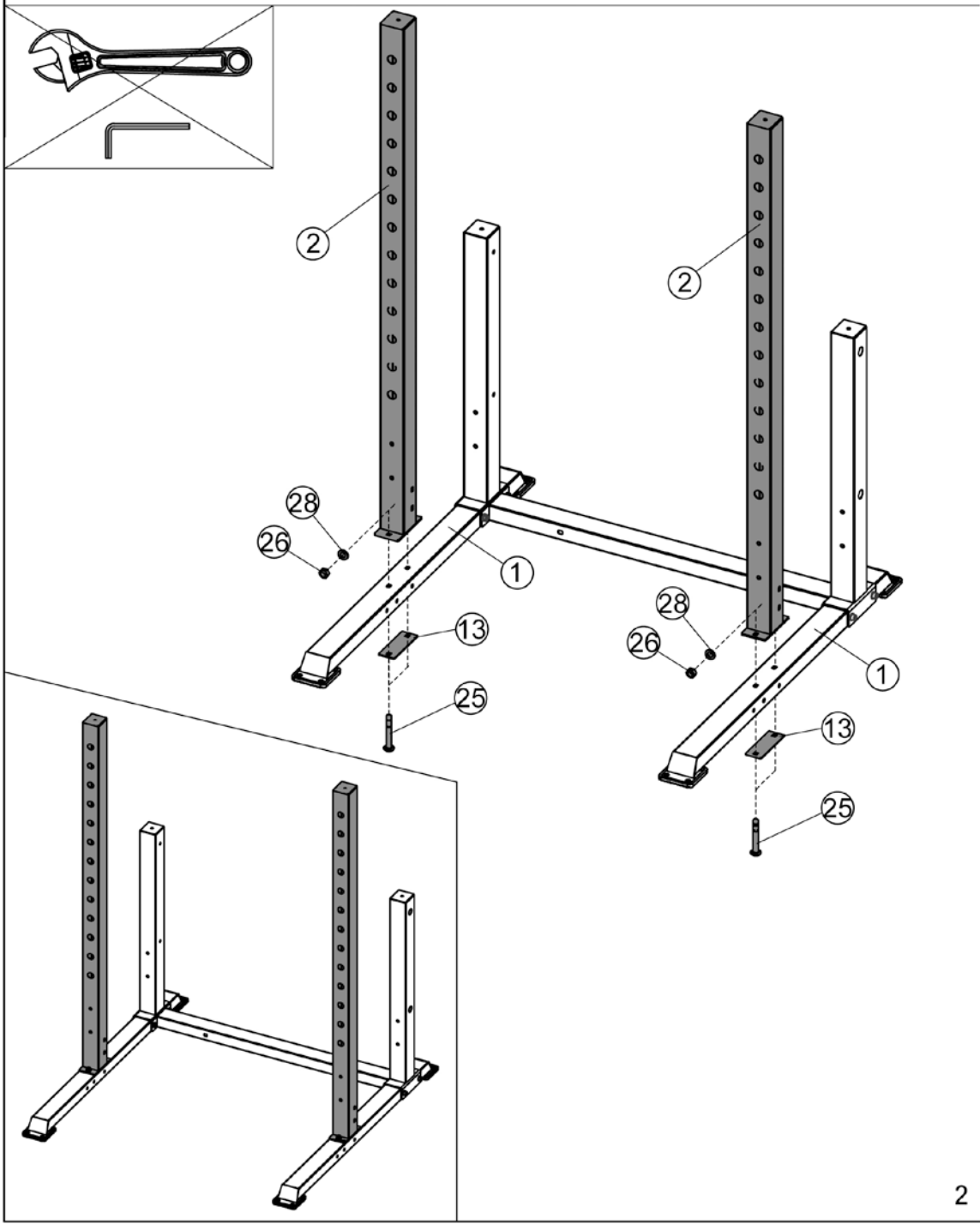
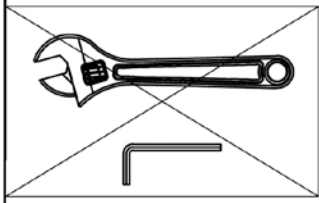
8# × 1

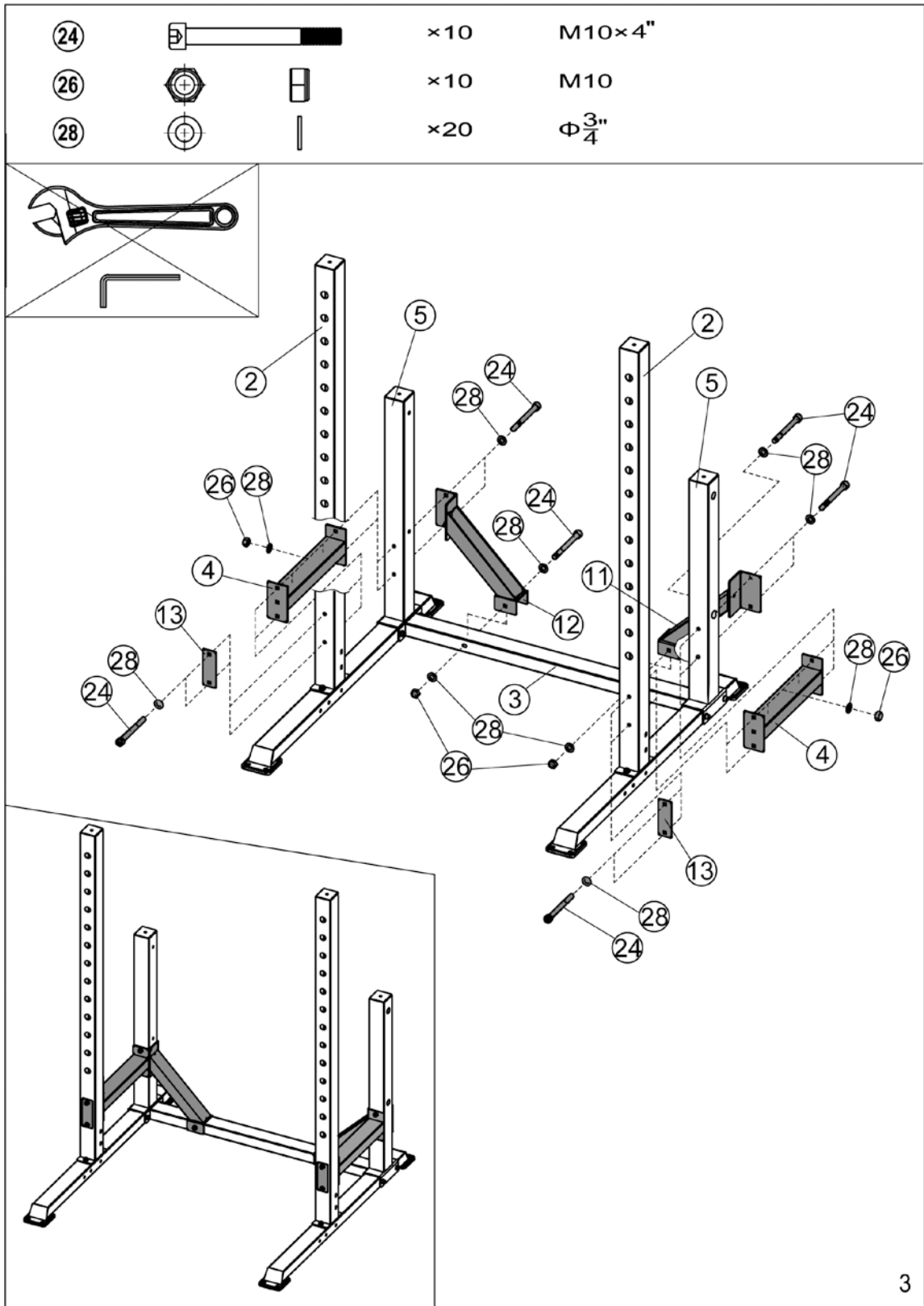
②⑦ × 1 4

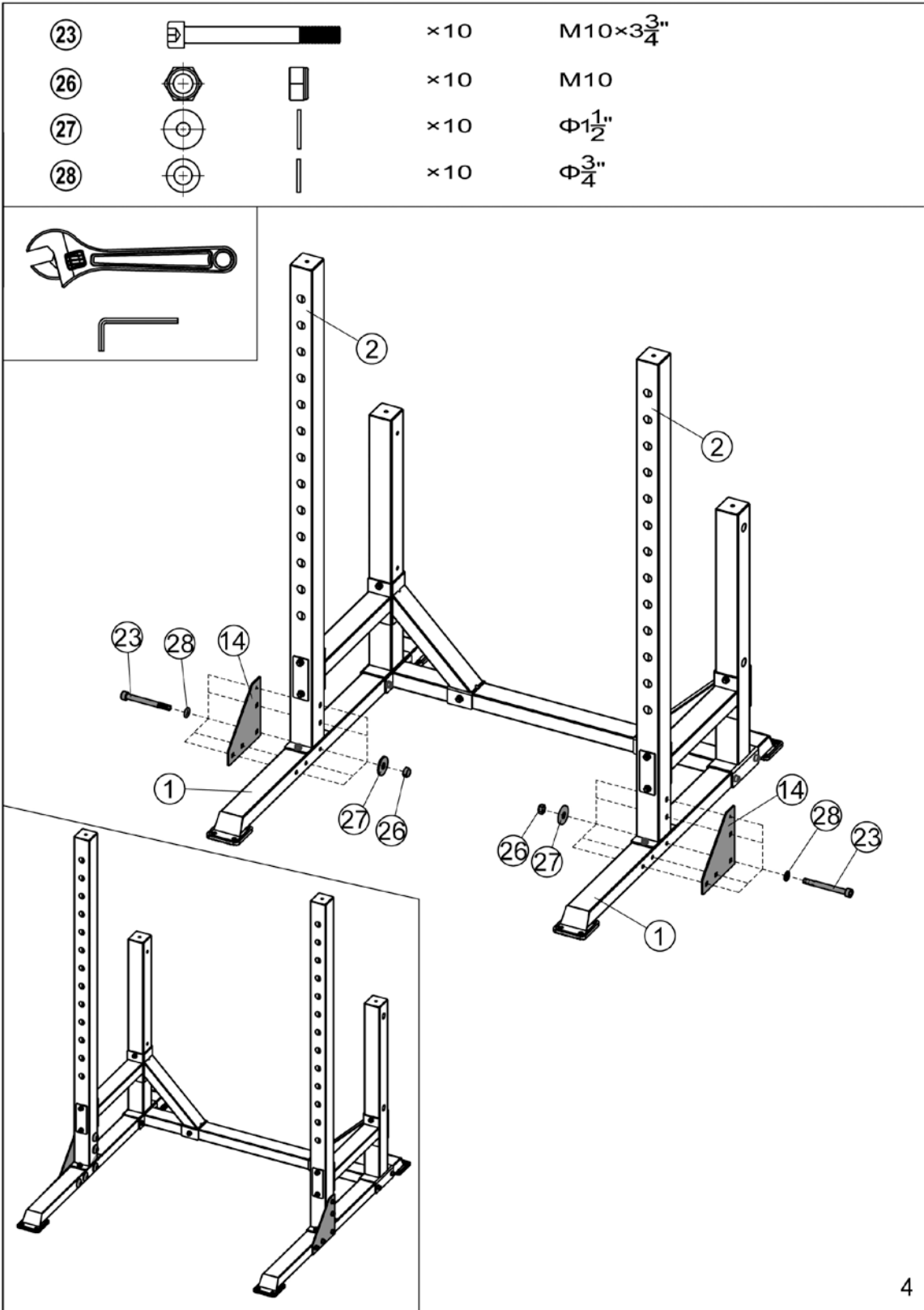


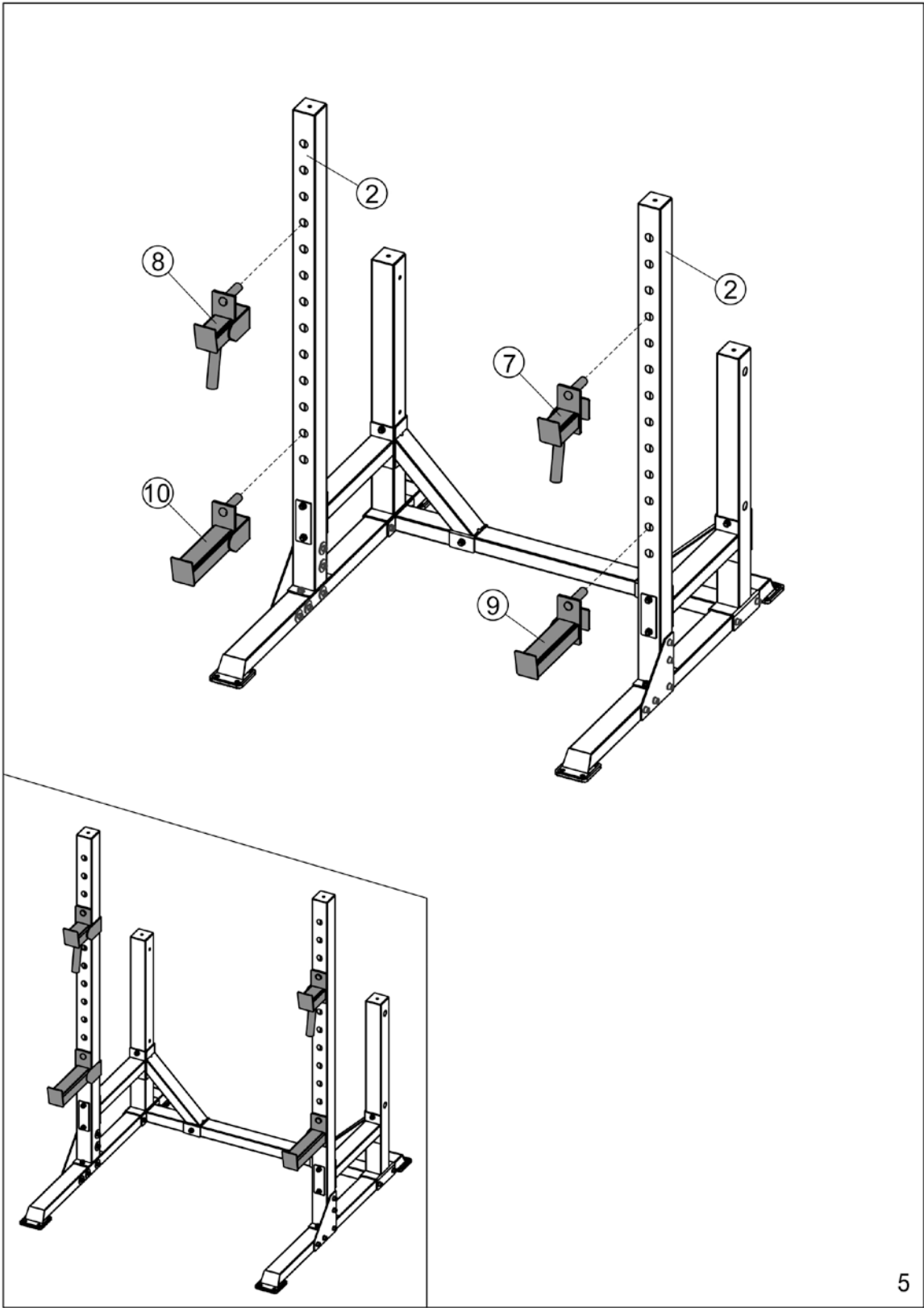


- | | | | |
|------|-----------------------------------------------------------------------------------|----|-----------------------|
| (25) |  | x4 | M10x2 $\frac{3}{4}$ " |
| (26) |  | x4 | M10 |
| (28) |  | x4 | $\Phi\frac{3}{4}$ " |

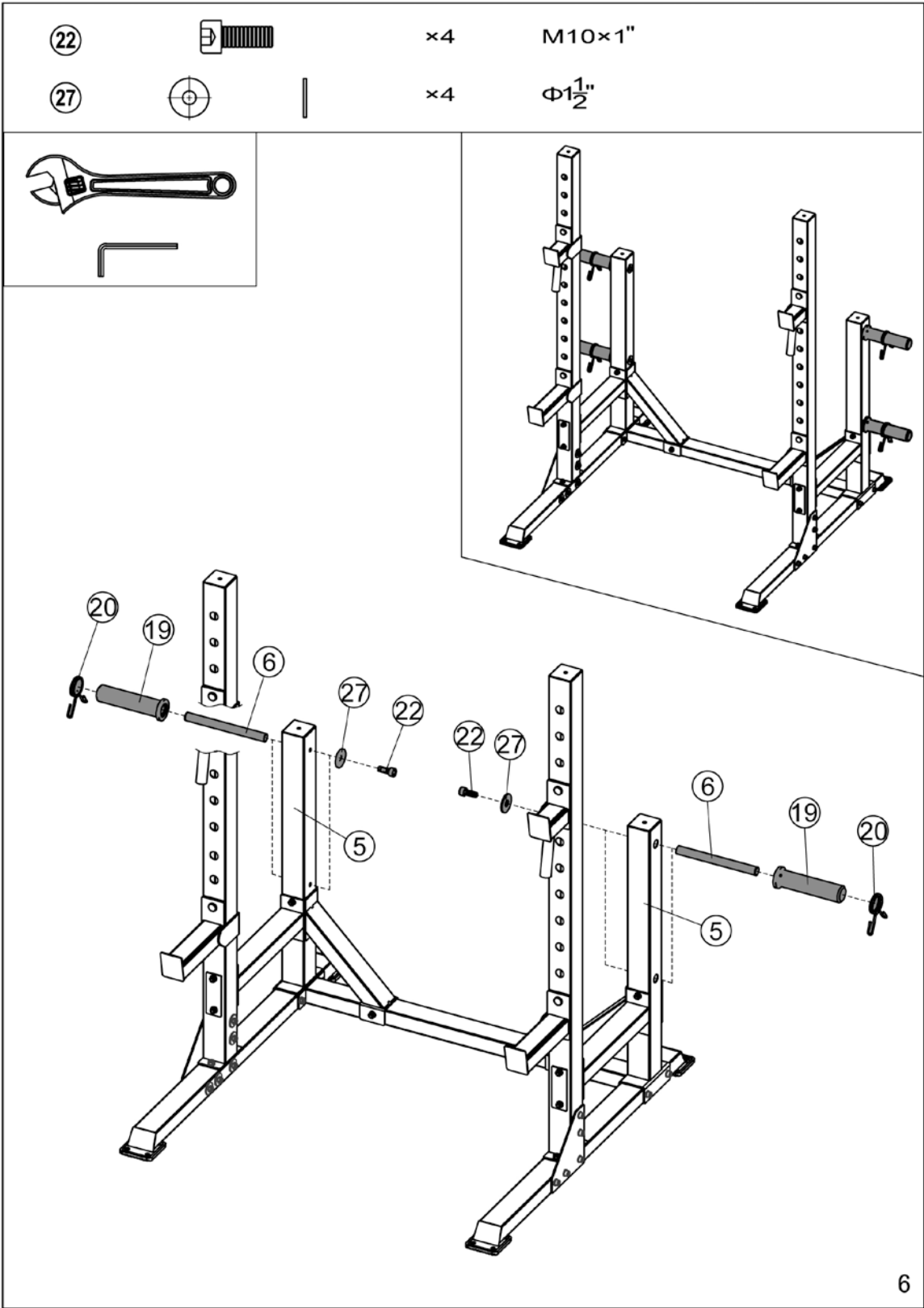


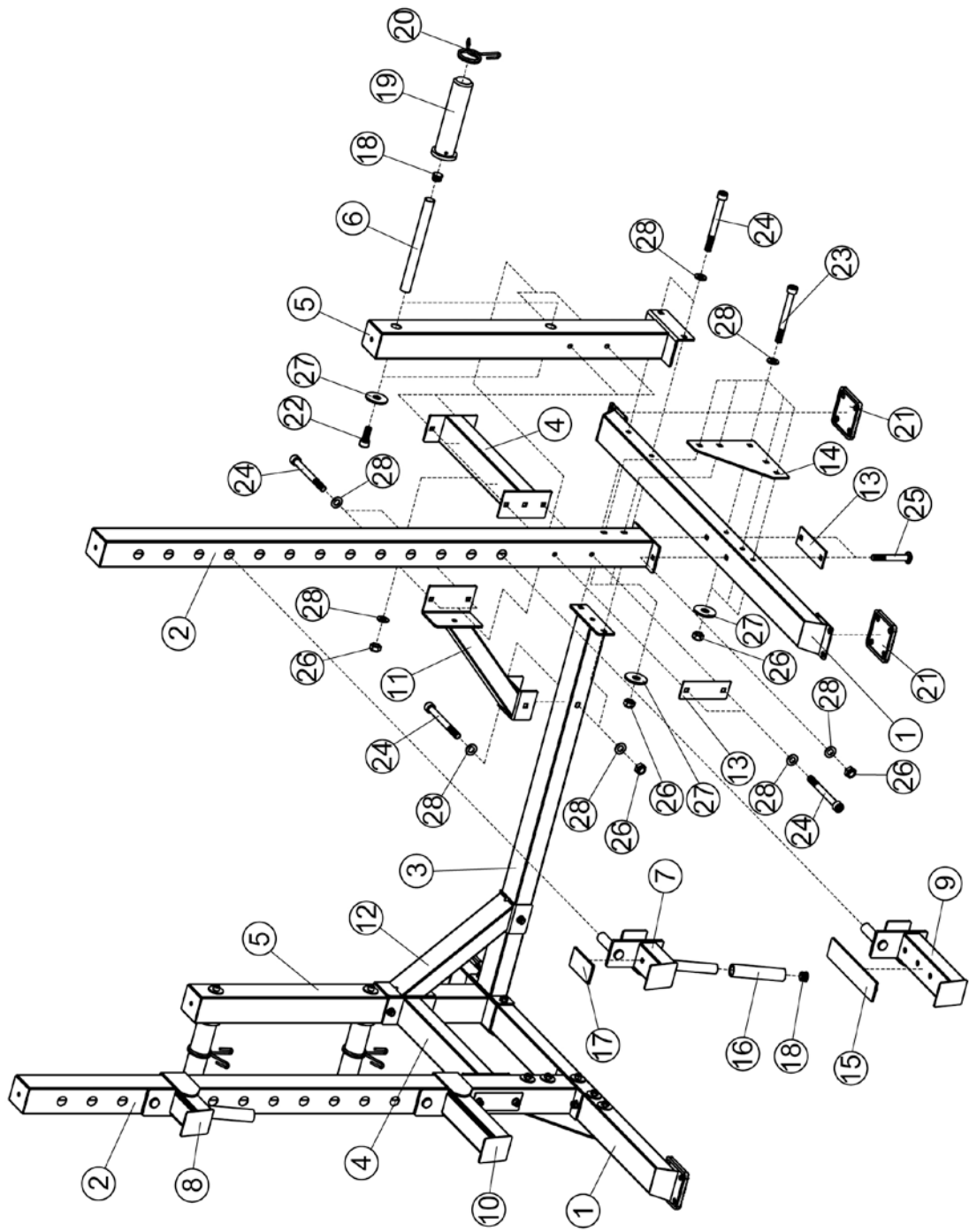






5





IMPEX® INC.

2801 S. Towne Ave, Pomona, CA 91766

Tel: (800) 999-8899 Fax: (626) 961-9966

www.impex-fitness.com

support@impex-fitness.com