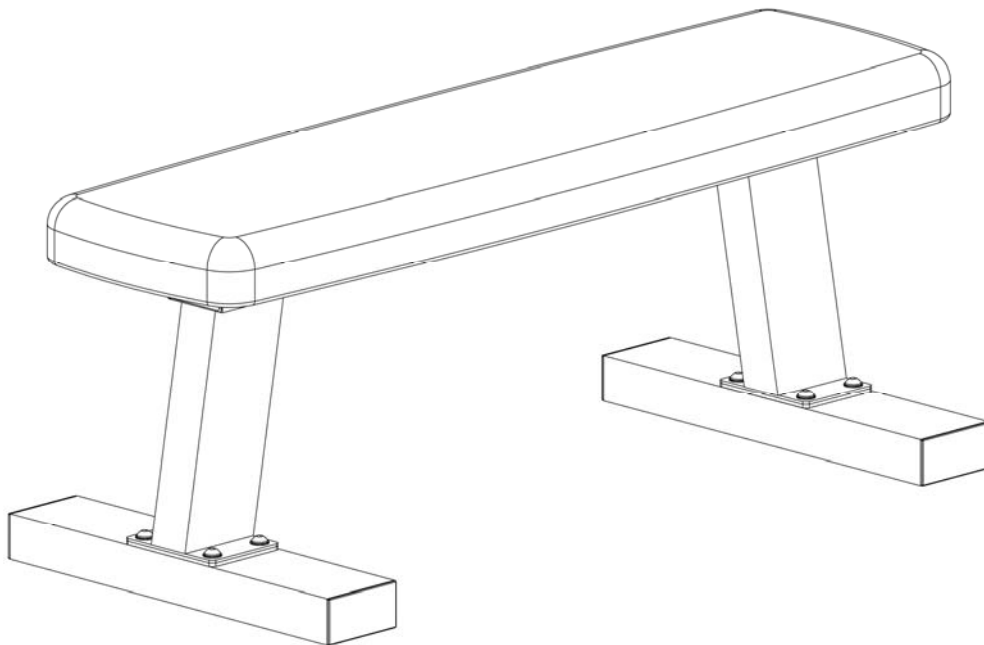




FLAT BENCH

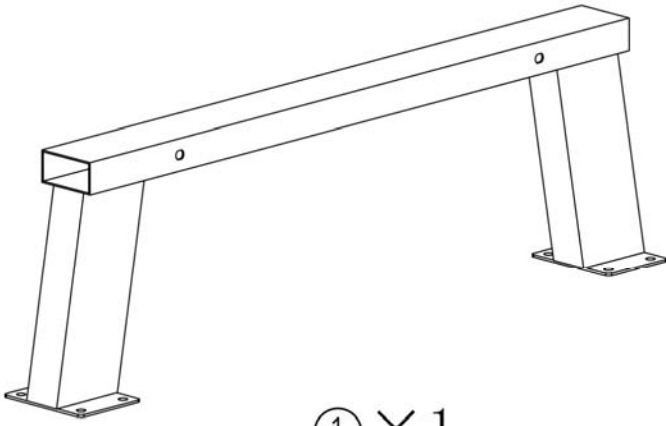
ADI-416



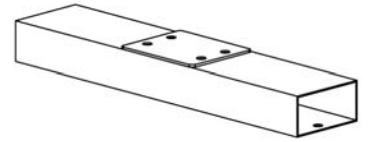
IMPORTANT: Please read the Important Safety Notice and Assembly Information in the Owner's manual before assembling this product.

Assembly Manual

110901



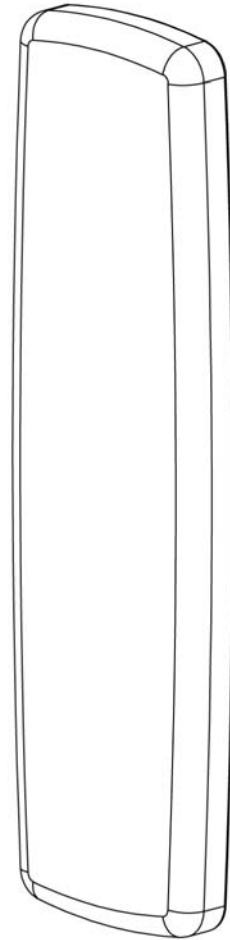
① × 1



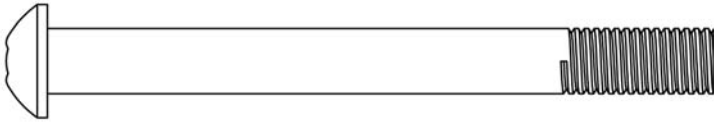
② × 2



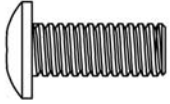
③ × 4



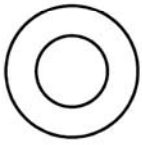
④ × 1



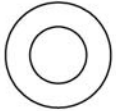
⑦ × 2



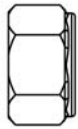
⑨ × 12



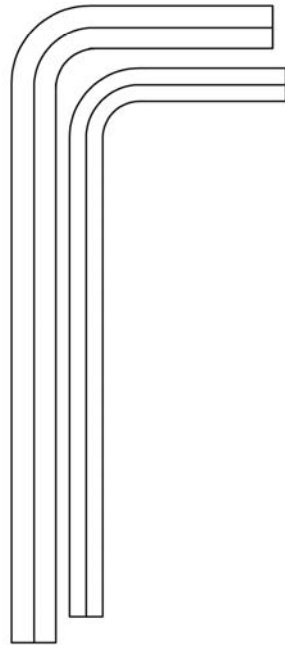
⑩ × 4



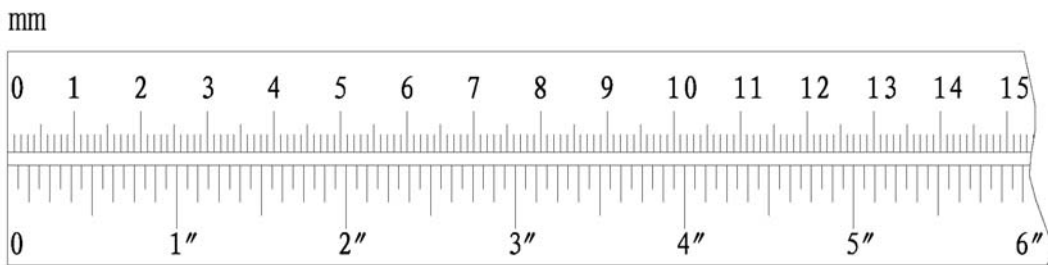
⑪ × 12

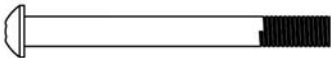







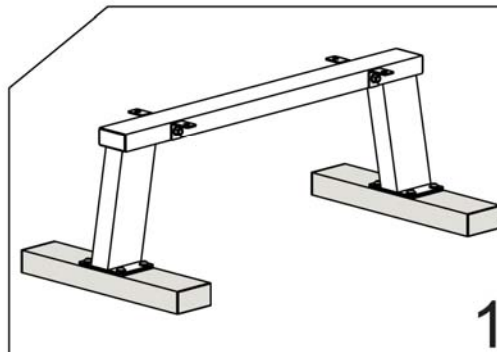
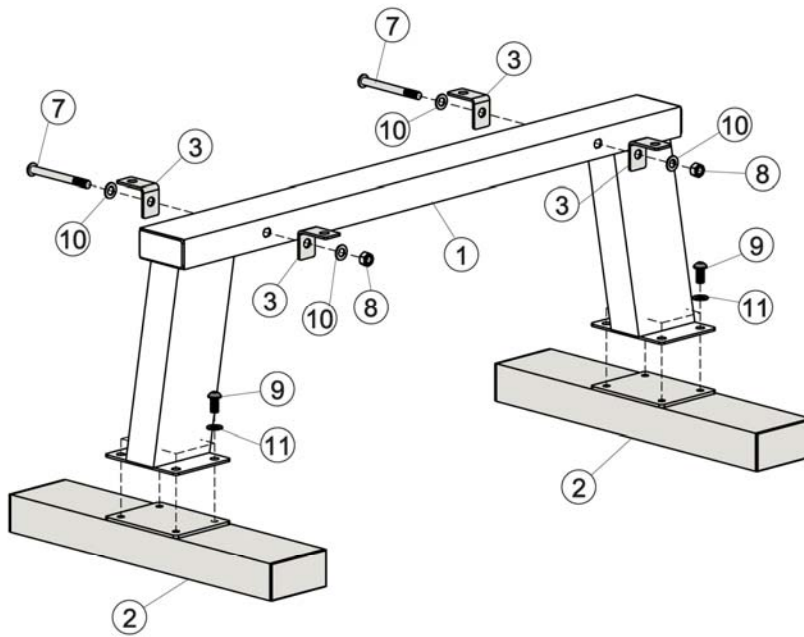
⑧ × 2



6# × 1 5# × 1



⑦		× 2	M10x4"
⑨		× 8	M8x3/4"
⑩		× 4	φ3/4"
⑪		× 8	φ5/8"
⑧	 	× 2	M10



9



× 4

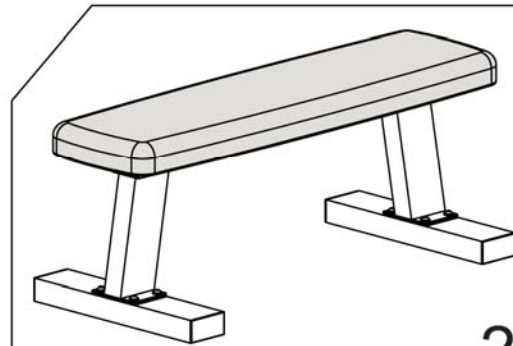
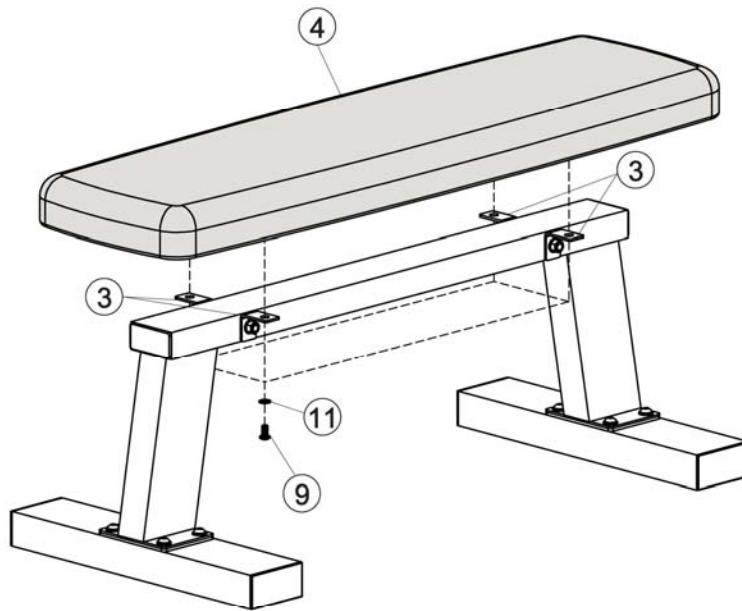
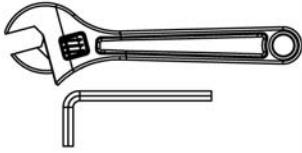
M8x4/5"

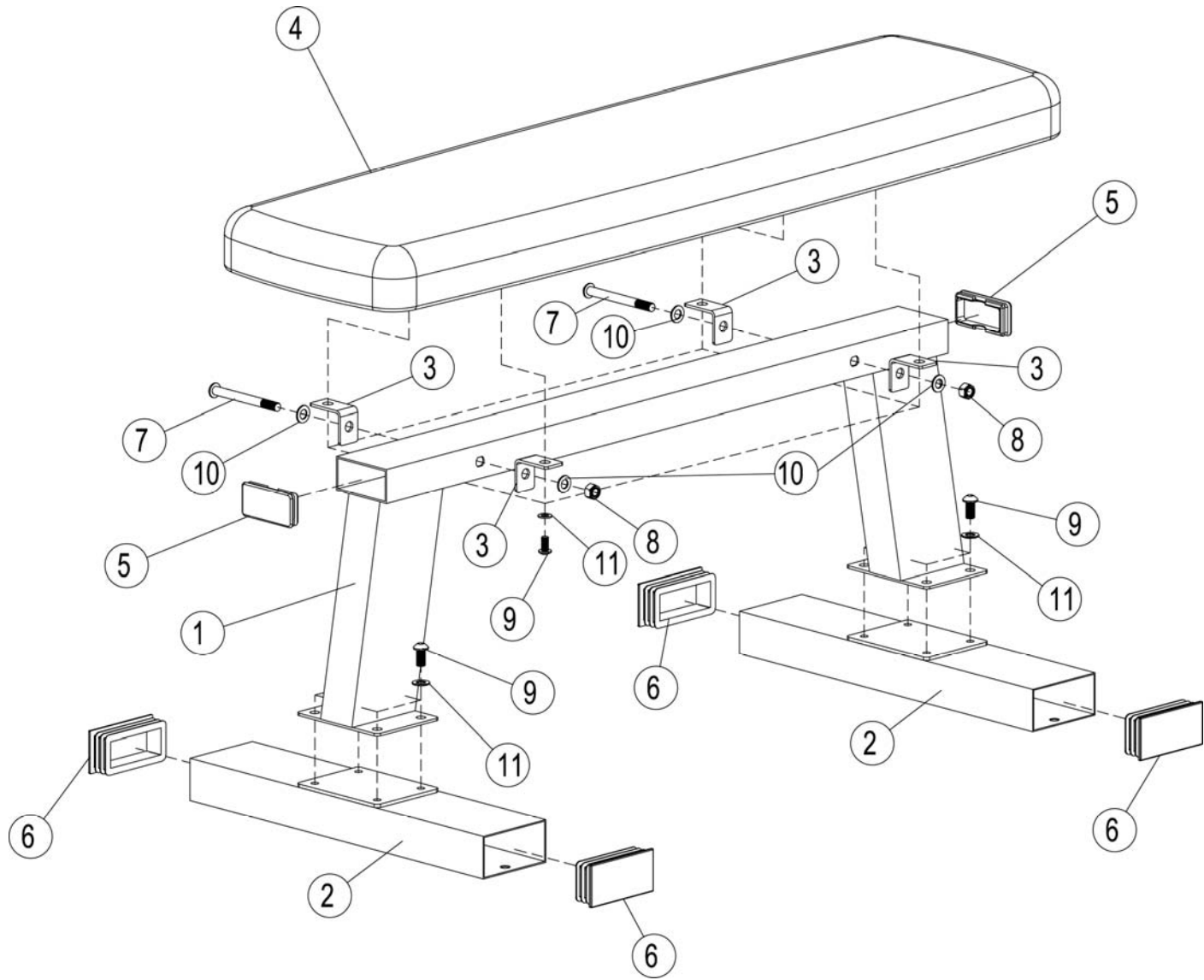
11



× 4

φ5/8"





IMPEX[®] INC.
 2801 S. Towne Ave, Pomona, CA 91766
 Tel: (800) 999-8899 Fax: (626) 961-9966
www.impex-fitness.com
info@impex-fitness.com