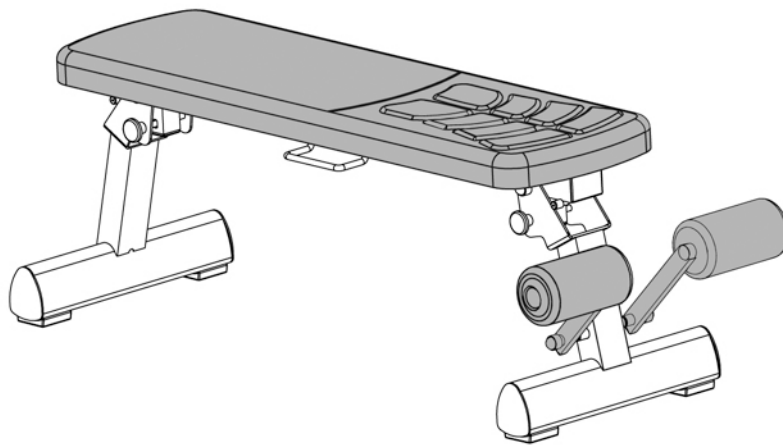


MARCY[®]

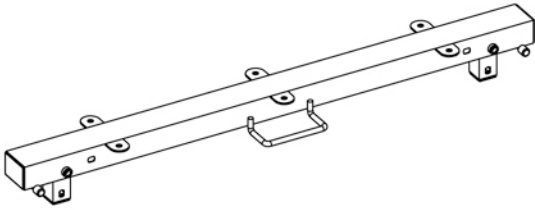
FLAT BENCH SB-10500



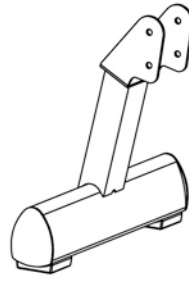
IMPORTANT: Please read the Important Safety Notice and Assembly Information in the Owner's manual before assembling this product.

Assembly Manual

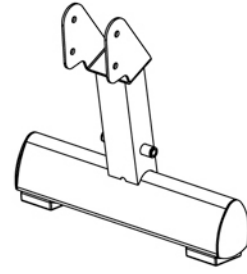
150602



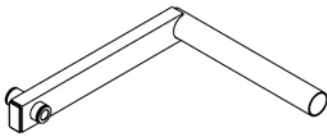
① × 1



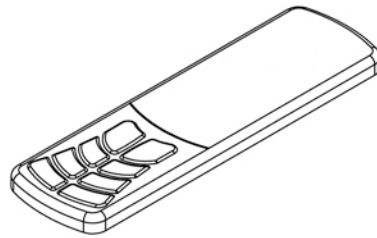
② × 1



③ × 1



④ × 2



⑤ × 1



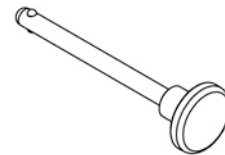
⑥ × 2



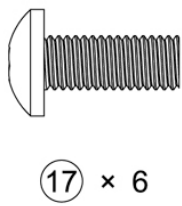
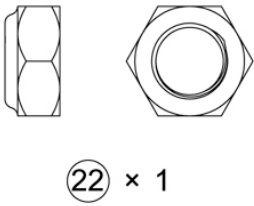
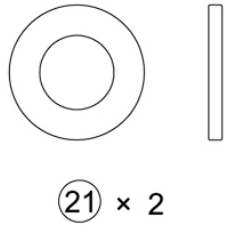
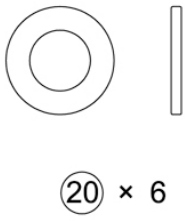
⑫ × 2



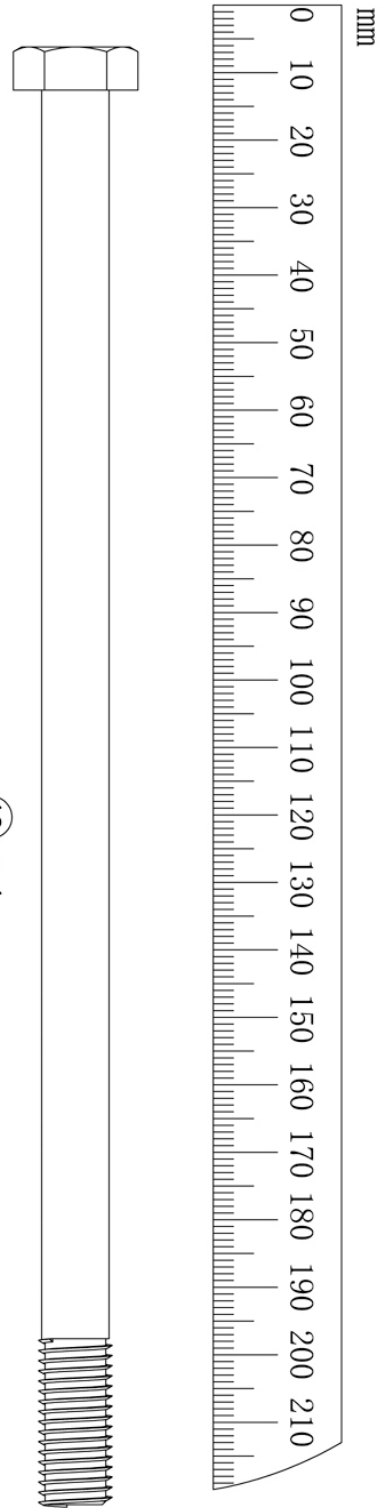
⑬ × 6

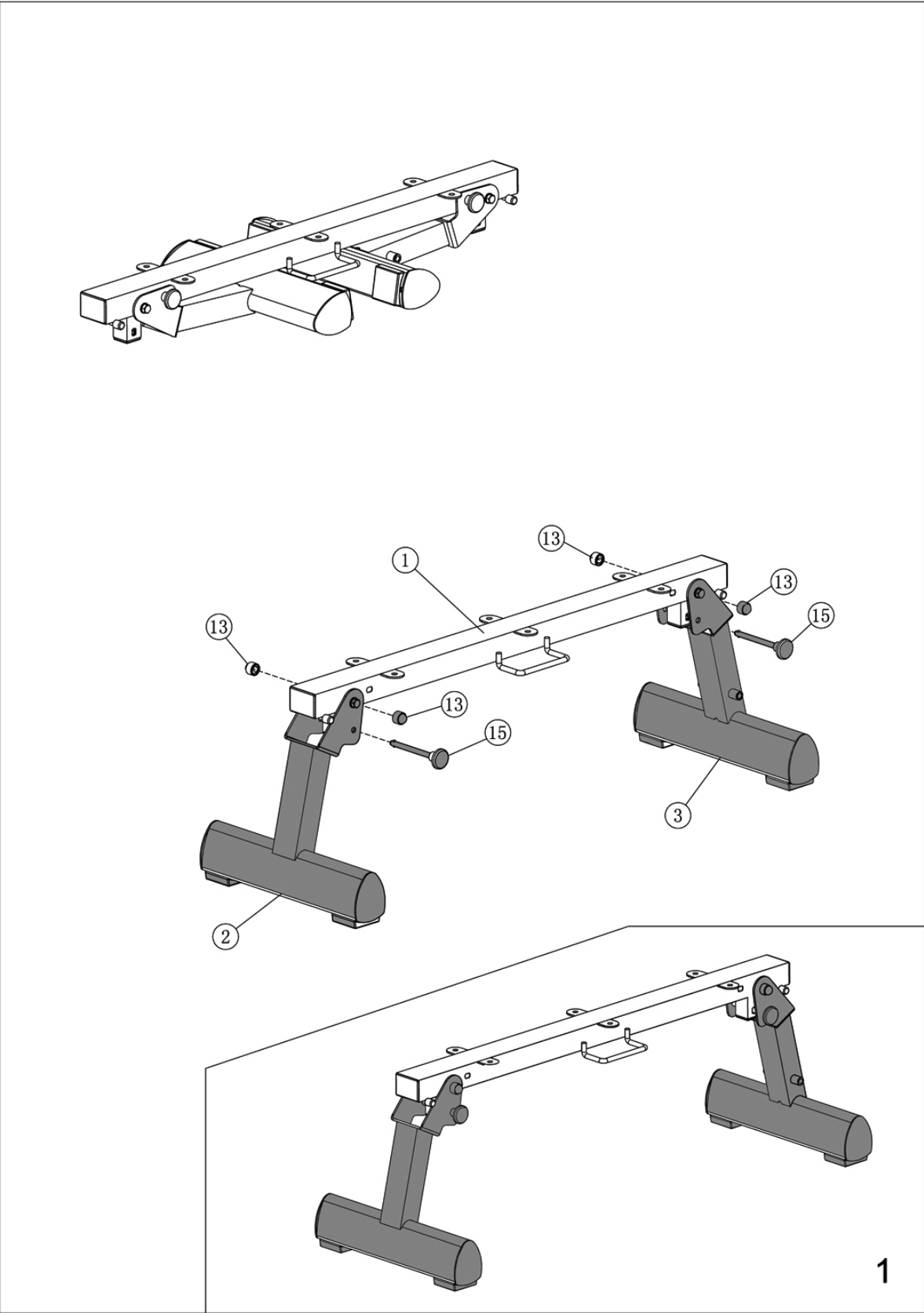


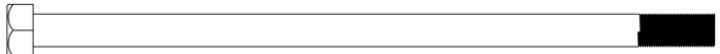




⑮ × 2

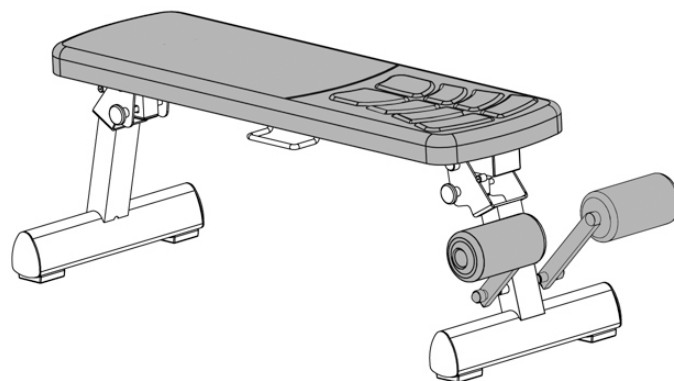
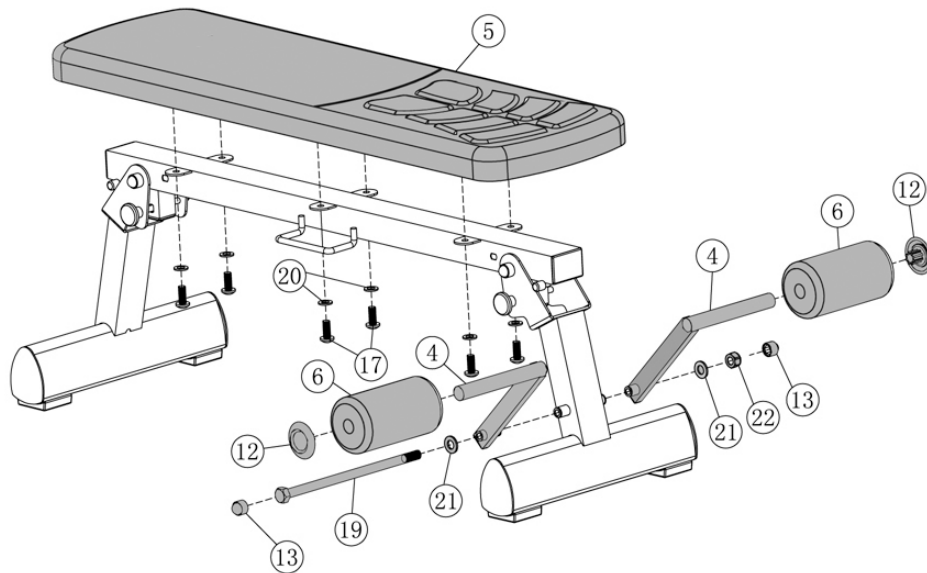
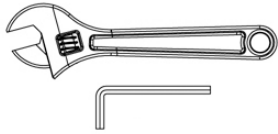


①9 × 1

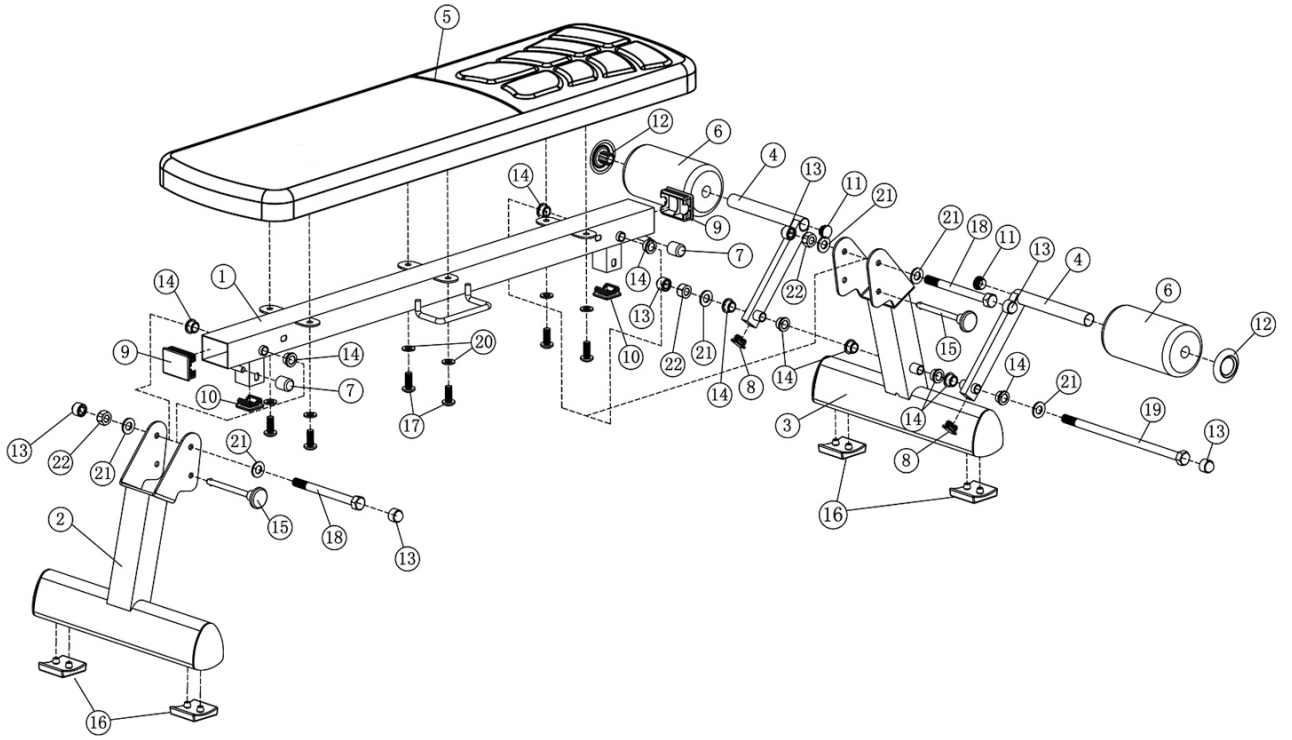




- | | | | | | |
|----|------------------------------------------------------------------------------------|-----|--------------|-----|-----------------------------------------------------------------------------------|
| ①⑨ |  | X 1 | M10 x 8 1/4" | | |
| ②① |  | X 2 | Ø 3/4" | ②⑦ |  |
| | | | | X 6 | Ø 5/8" |
| ②② |  | X 1 | M10 | ①⑦ |  |
| | | | | X 6 | M8 x 3/4" |



2



IMPEX® INC.

2801 South Towne Avenue, Pomona, California 91766

Tel: (800) 999-8899 Fax: (626) 961-9966

www.impex-fitness.com

support@impex-fitness.com