

NOTE:
Please read all instructions
carefully before using this
product

Table of Content

Safety Notice

Hardware Identifier

Assembly Instruction

Parts List

Warranty

Ordering Parts

Model
SB-228

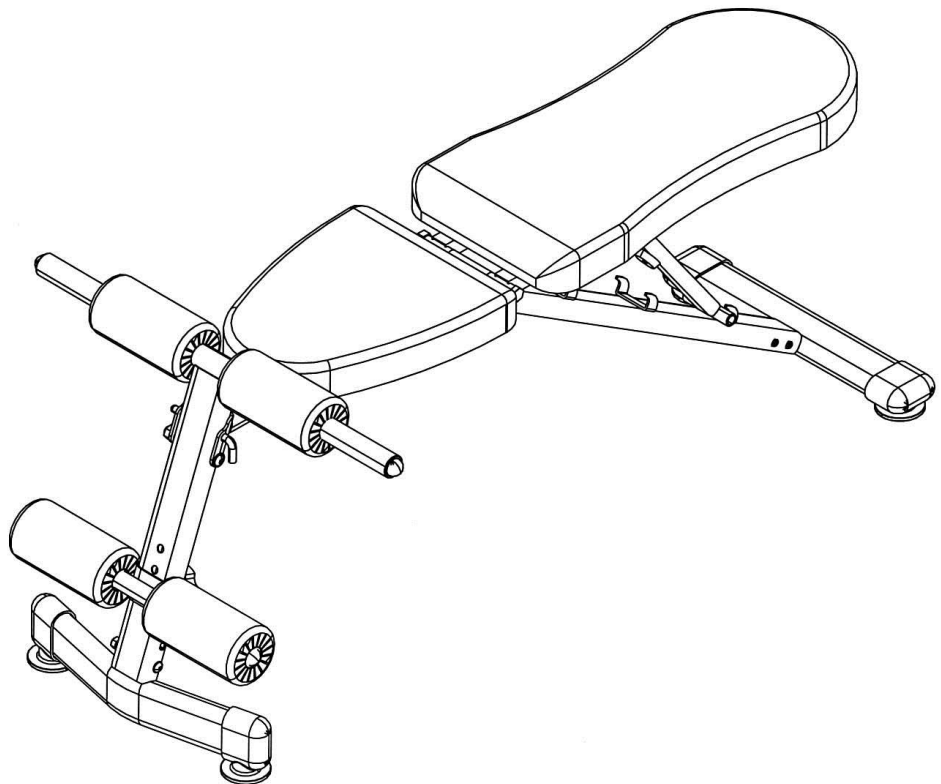
Retain This
Manual for
Reference

160824

OWNER'S
MANUAL

IMPEX

MARCY[®] Multi Purpose Bench SB-228



IMPEX[®] INC.

2801 S. Towne Ave, Pomona, CA 91766

Tel: (626) 961-8686

www.impex-fitness.com

support@impex-fitness.com

TABLE OF CONTENTS

BEFORE YOU BEGIN.....	1
IMPORTANT SAFETY NOTICES.....	2
HARDWARE IDENTIFIER.....	4
ASSEMBLY INSTRUCTIONS.....	5
EXPLODED DIAGRAM.....	8
PARTS LIST.....	9
WARRANTY.....	10
ORDERING PARTS.....	10

BEFORE YOU BEGIN

Thank you for selecting the MARCY SB-228 Multi-Purpose Bench by IMPEX® Inc. For your safety and benefit, read this manual carefully before using the machine. As a manufacturer, we are committed to provide you complete customer satisfaction. If you have any questions, or find there are missing or damaged parts, we guarantee you complete satisfaction through direct assistance from our factory. To avoid unnecessary delays, *please call our TOLL-FREE customer service number.* Our Customer Service Agents will provide immediate assistance to you.

Toll-Free Customer Service Number

1-800-999-8899

Mon. - Fri. 9 a.m. - 5 p.m. PST

www.impex-fitness.com

support@impex-fitness.com

IMPORTANT SAFETY NOTICE

PRECAUTIONS

This exercise machine is built for optimum safety. However, certain precautions apply whenever you operate a piece of exercise equipment. Be sure to read the entire manual before you assemble or operate your machine. In particular, note the following safety precautions:

1. **Keep children and pets away from the machine at all times. DO NOT leave children unattended in the same room with the machine.**
2. Only one person at a time should use the machine.
3. If the user experiences dizziness, nausea, chest pain, or any other abnormal symptoms, STOP the workout at once. CONSULT A PHYSICIAN IMMEDIATELY.
4. Position the machine on a clear, leveled surface. DO NOT use the machine near water or outdoors.
5. Keep hands away from all moving parts.
6. Always wear appropriate workout clothing when exercising. DO NOT wear robes or other clothing that could become caught in the machine. Running or aerobic shoes are also required when using the machine.
7. Use the machine only for its intended use as described in this manual. DO NOT use attachments not recommended by the manufacturer.
8. Do not place any sharp object around the machine.
9. Disabled person should not use the machine without a qualified person or physician in attendance.
10. Before using the machine to exercise, always do stretching exercises to properly warm up.
11. Never operate the machine if the machine is not functioning properly.
12. Maximum user weight: 300 lbs.
13. Maximum dumbbell weight: 100 lbs.

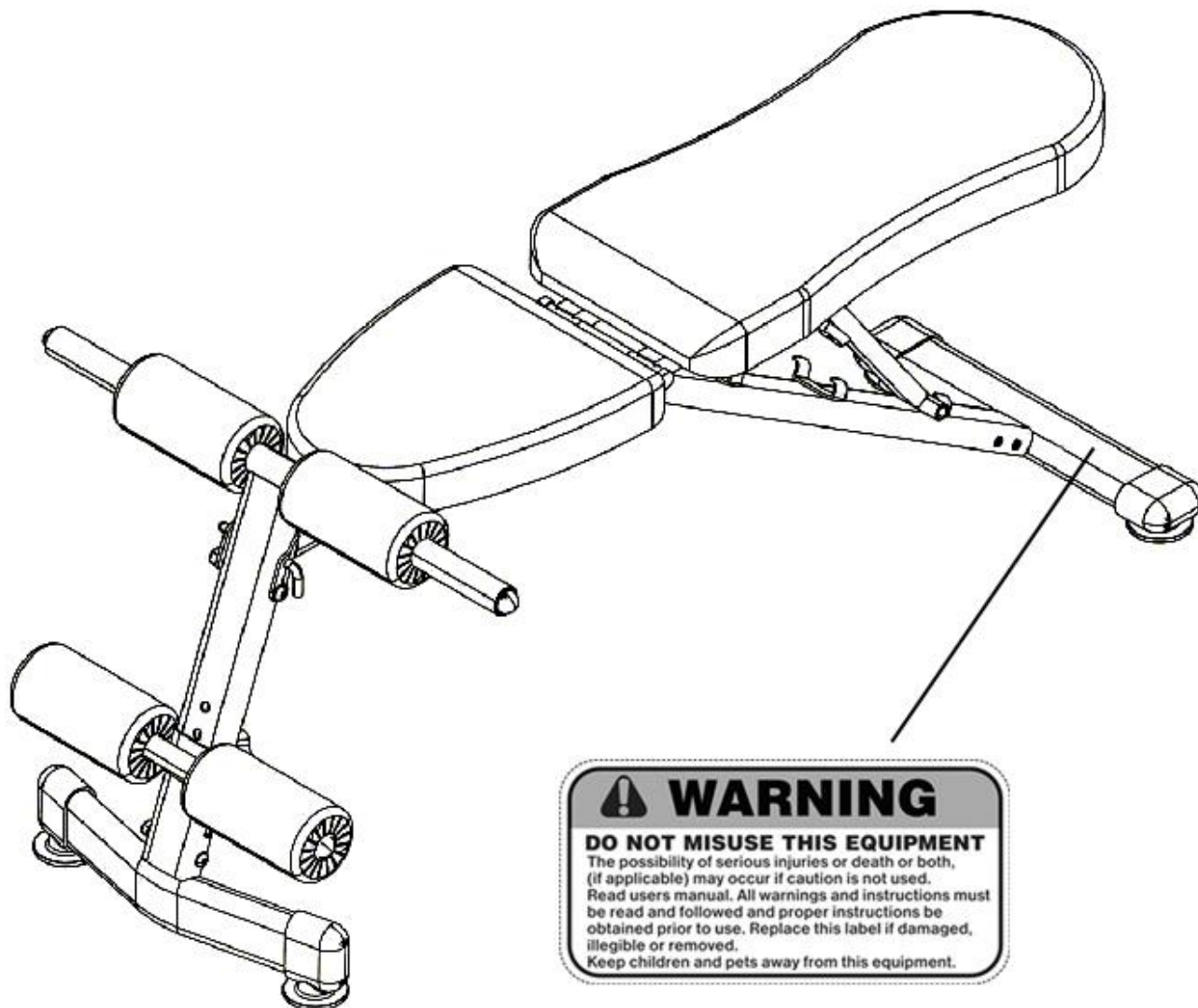
CARE AND MAINTENANCE

1. Inspect and tighten all parts before using the machine.
2. The machine can be cleaned using a damp cloth and mild non-abrasive detergent. DO NOT use solvents.
3. Keep fingers away from all Pinch Points.

WARNING: BEFORE BEGINNING ANY EXERCISE PROGRAM, CONSULT YOUR PHYSICIAN. THIS IS ESPECIALLY IMPORTANT FOR INDIVIDUALS OVER THE AGE OF 35 OR PERSONS WITH PRE-EXISTING HEALTH PROBLEMS. READ ALL INSTRUCTIONS BEFORE USING ANY FITNESS EQUIPMENT. IMPEX INC. ASSUMES NO RESPONSIBILITY FOR PERSONAL INJURY OR PROPERTY DAMAGE SUSTAINED BY OR THROUGH THE USE OF THIS PRODUCT.

SAVE THESE INSTRUCTIONS.

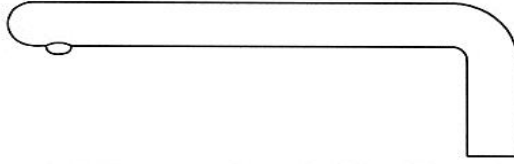
WARNING LABEL PLACEMENT



The Warning Label shown here has been placed on the Rear Base.
If the label is missing or illegible, please call customer service at 1-800-999-8899 for replacement.
Apply the label in the location shown.

HARDWARE PACK

NOTE: The following parts are not drawn to scale. Please use your own ruler to measure the size.



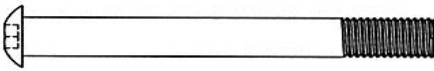
#21 L-shaped Lock Pin (Qty 1)



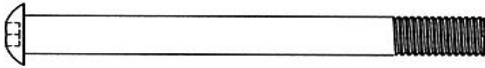
#23 M8 x 3/4" Allen Bolt (Qty 5)



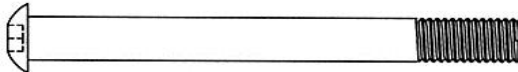
#24 M8 x 1 3/4" Allen Bolt (Qty 5)



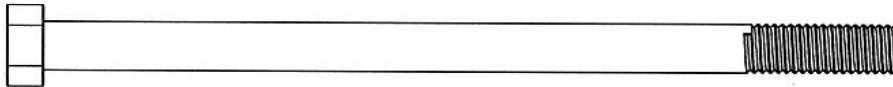
#25 M8 x 3 1/8" Allen Bolt (Qty 4)



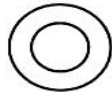
#26 M8 x 3 1/2" Allen Bolt (Qty 1)



#22 M10 x 3 3/4" Allen Bolt (Qty 1)



#27 M12 x 6 7/8" Hex Bolt (Qty 1)



#33 \varnothing 3/4" Washer
(Qty 2)



#28 \varnothing 5/8" Washer
(Qty 23)



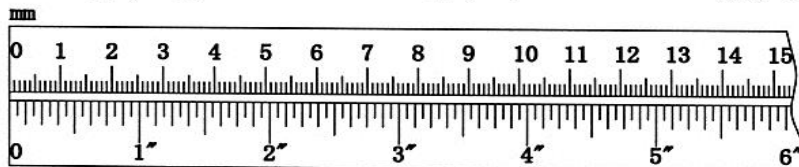
#32 M8 Aircraft Nut
(Qty 8)



#31 M10 Aircraft Nut
(Qty 1)



#30 M12 Aircraft Nut
(Qty 1)



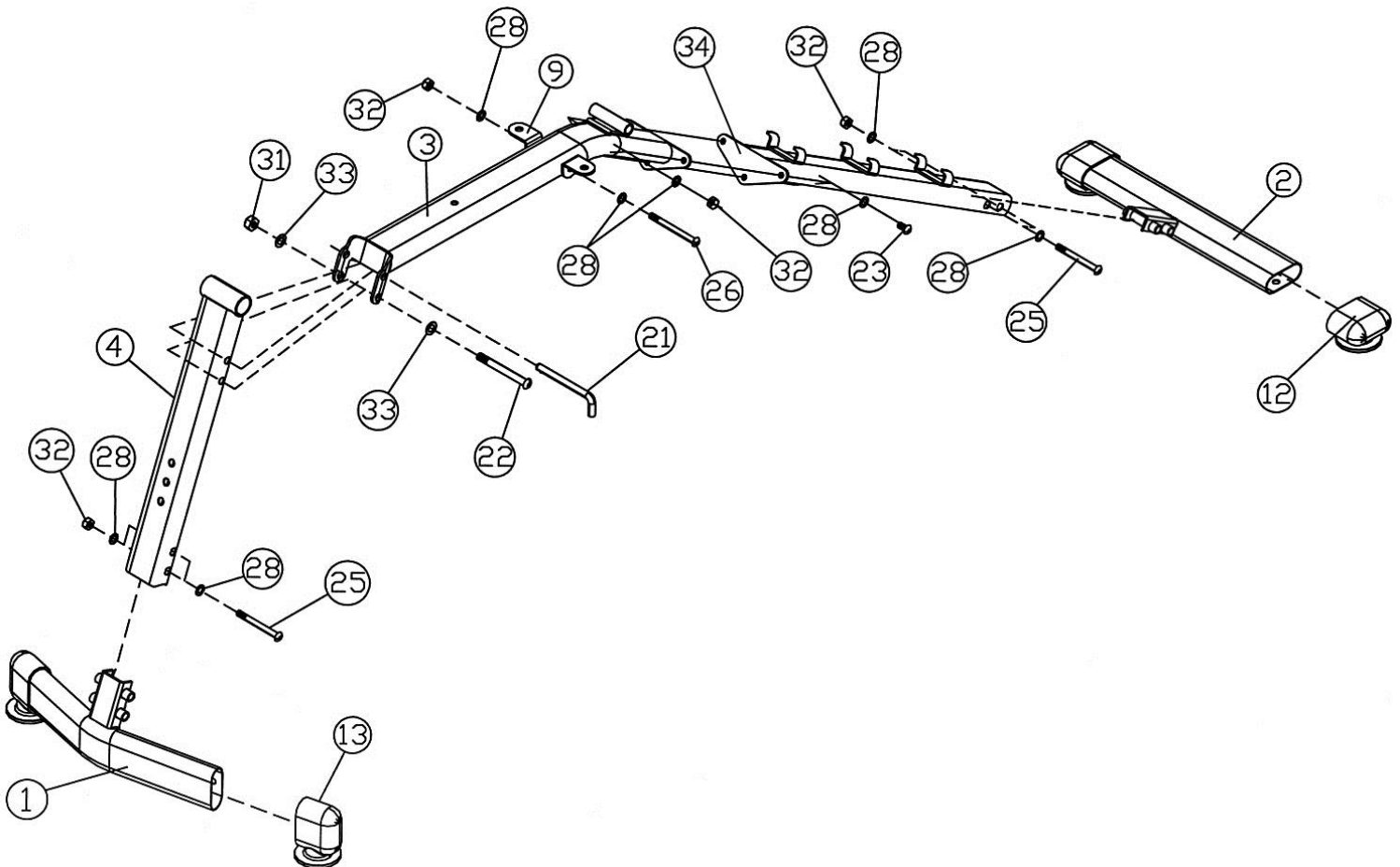
ASSEMBLY INSTRUCTION

Tools Required Assembling the Machine: Adjustable Wrench and Allen Wrench

NOTE: It is strongly recommended two or more people assembling this machine to avoid possible injuries.

STEP 1 (See Diagram 1)

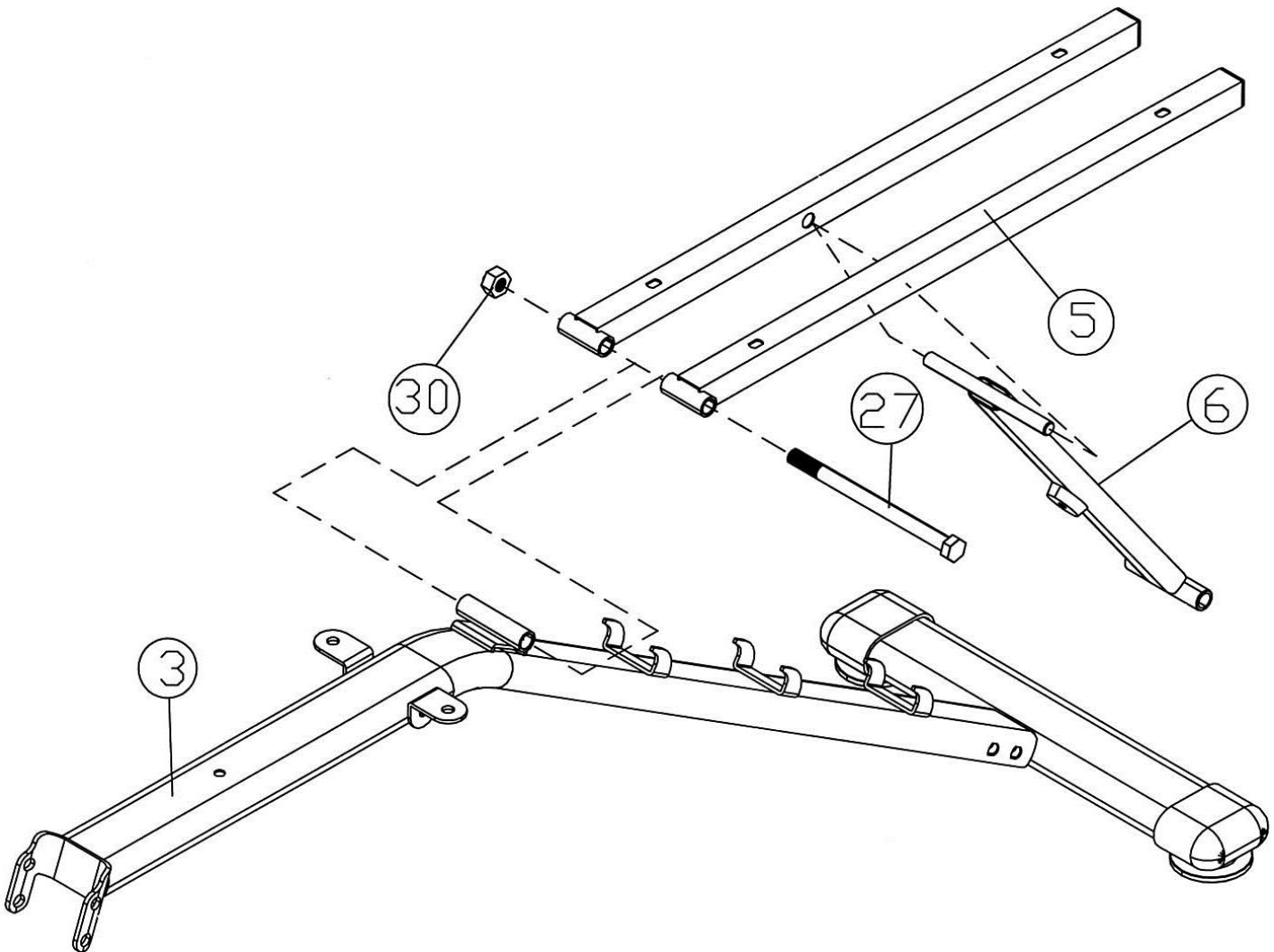
- A.) Push the two Front Stabilizer End Caps (#13) and two Rear Stabilizer End Caps (#12) onto the Front Stabilizer (#1) and the Rear Stabilizer (#2) from both ends.
- B.) Attach the Front Stabilizer to the Vertical Frame (#4). Secure it with two M8 x 3 1/8" Allen Bolts (#25), four Ø 5/8" Washers (#28), and two M8 Aircraft Nuts (#32).
- C.) Attach the Lower Main Frame (#34) to the Rear Stabilizer (#2). Secure it with two M8 x 3 1/8" Allen Bolts (#25), four Ø 5/8" Washers (#28), and two M8 Aircraft Nuts (#32).
- D.) Attach the Main Frame (#3) to the Lower Main Frame (#34). Secure it with three M8 x 3/4" Allen Bolts (#23), six Ø 5/8" Washers (#28) and three M8 Aircraft Nuts (#32).
- E.) Attach the Main Frame (#3) to the Front Vertical Frame (#4). Secure the lower hole with one M10 x 3 3/4" Allen Bolt (#22), two Ø 3/4" Washers (#33), and one M10 Aircraft Nut (#31). Insert a L-shaped Lock Pin (#21) through the upper hole to lock the Front Vertical Frame in position. Remove the Pin when folding the bench for storage.
- F.) Attach two L-shaped Brackets (#9) to the Main Frame (#3). Secure them with one M8 x 3 1/2" Allen Bolt (#26), two Ø 5/8" Washers (#28), and one M8 Aircraft Nut (#32).



STEP 2 (See Diagram 2)

- A.) Attach the Incline Support (#6) in between the two Backrest Supports (#5).
- B.) Attach the Pivot of the Backrest Supports (#5) to the Pivot on the Main Frame (#3).
Secure them with one M12 x 6 7/8" Hex Bolt (#27) and M12 Aircraft Nut (#30).

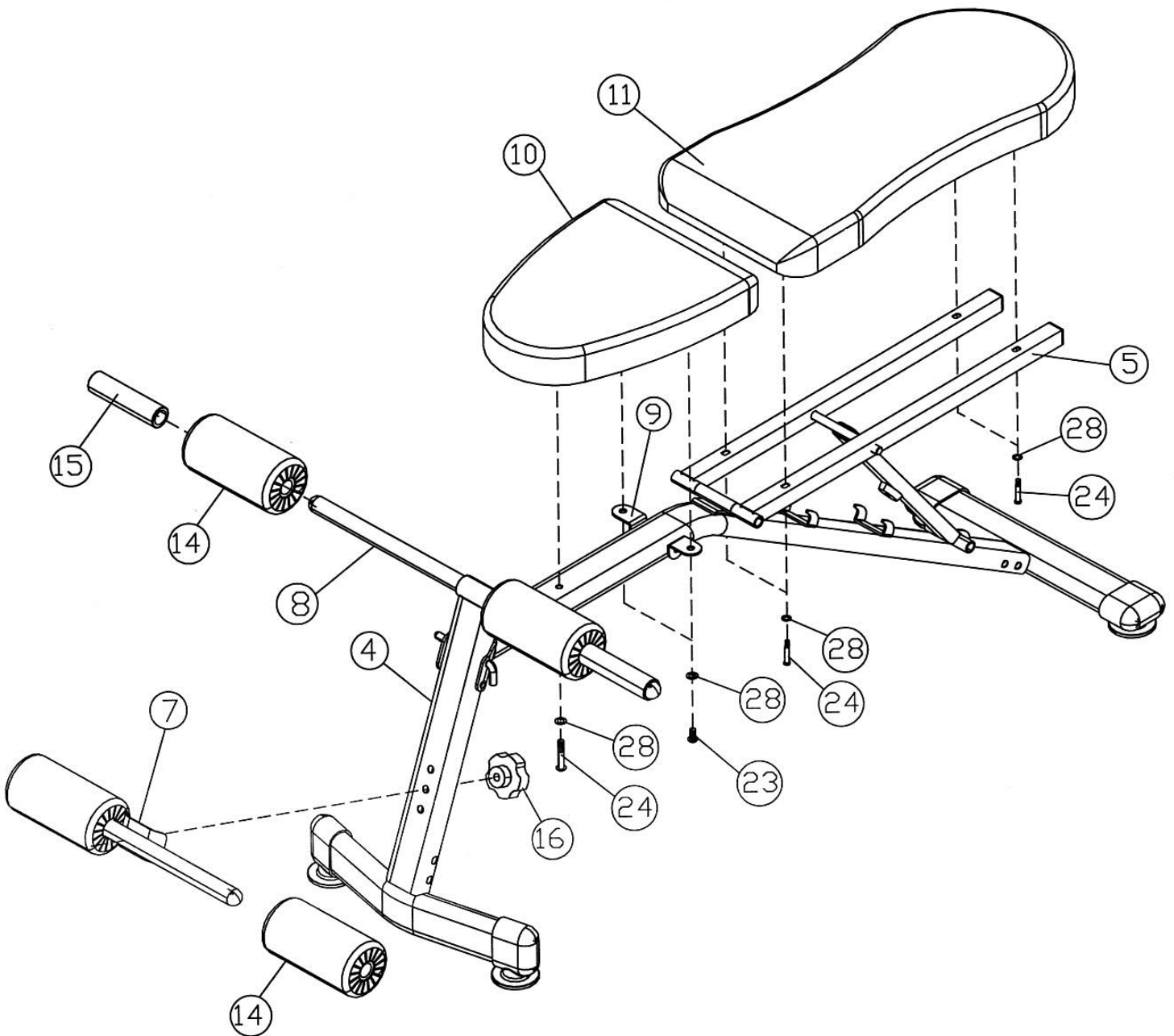
DIAGRAM 2



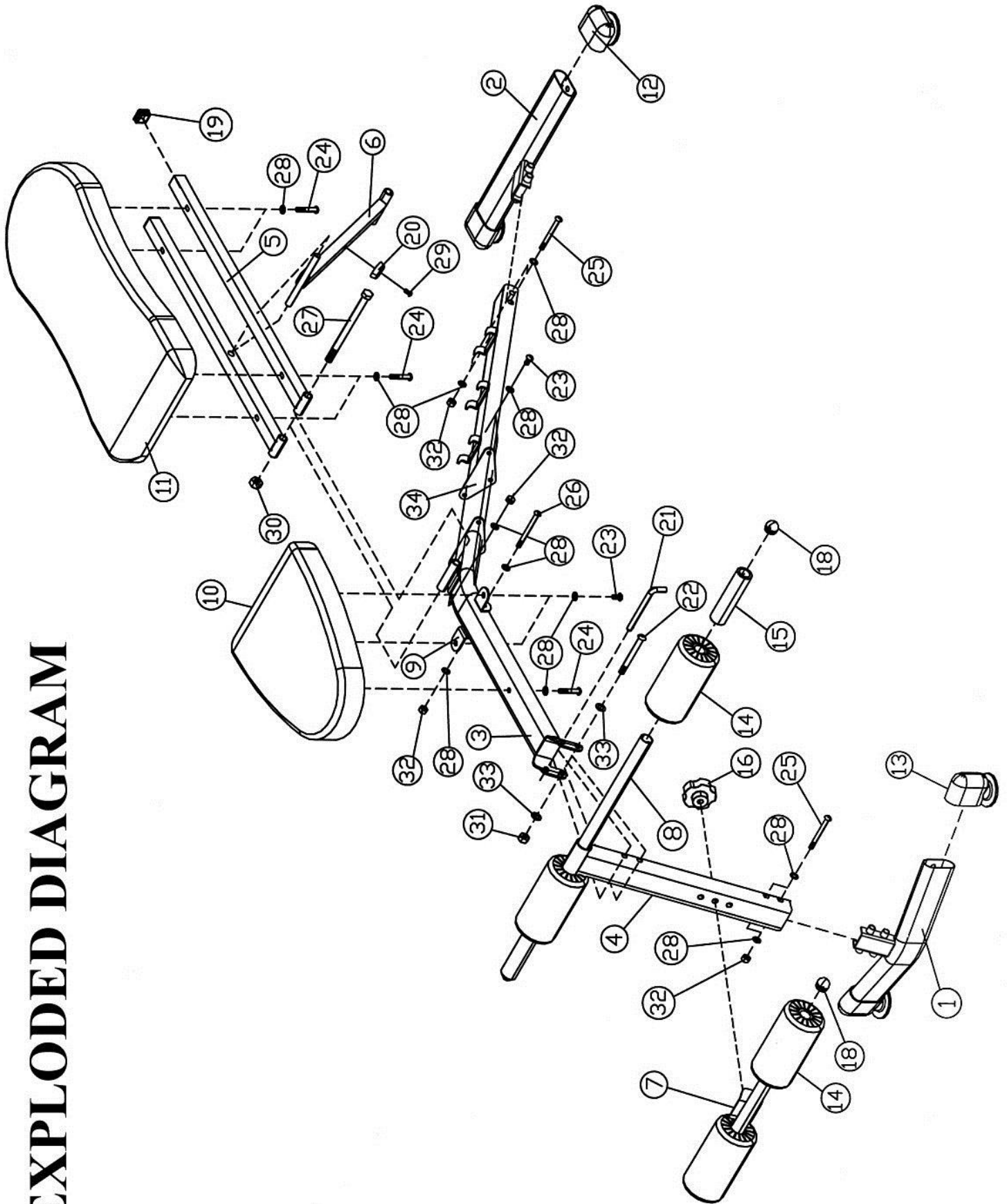
STEP 3 (See Diagram3)

- A.) Place the Seat (#10) onto the Main Frame (#3). Secure it to the two L-shaped Brackets (#9) with two M8 x 5/8" Allen Bolts (#23) and Ø 5/8" Washers (#28). Secure the Seat to the Main Frame with one M8 x 1 3/4" Allen Bolt (#24) and Ø 5/8" Washer (#28).
- B.) Place the Backrest Board (#11) onto the Backrest Supports (#5). Secure it with four M8 x 1 3/4" Allen Bolts (#24) and Ø 5/8" Washers (#28).
- C.) Attach the Cross Tube (#7) to the Front Vertical Frame (#4). Use a Lock Knob (#16) to secure the Tube at selected hole on the Frame.
- D.) Insert the Foam Tube (#8) halfway through the hole on the Front Vertical Frame (#4). Push four Vinyl Foam Rolls (#14) onto the Tubes.
- E.) Lubricate the inside of the Foam Grips (#15) with water. Slide the Foam Grips onto the Foam Tube (#8) from both sides.

DIAGRAM 3



EXPLODED DIAGRAM



Parts list

KEY NO.	DESCRIPTION	Q'ty
1	Front Stabilizer	1
2	Rear Stabilizer	1
3	Main Frame	1
4	Front Vertical Frame	1
5	Backrest Support	2
6	Incline Support	1
7	Cross Tube	1
8	Foam Tube	1
9	L-shaped Bracket	2
10	Seat	1
11	Backrest Board	1
12	Rear Stabilizer End Cap	2
13	Front Stabilizer End Cap	2
14	Vinyl Foam Roll	4
15	Foam Grip	2
16	Lock Knob	1
17	Manual	1
18	Ø 1" End Cap	4
19	1" Square End Cap	2
20	Rubber Bumper	1
21	L-shaped Lock Pin	1
22	M10 x 3 ¾" Allen Bolt	1
23	M8 x ¾" Allen Bolt	5
24	M8 x 1 ¾" Allen Bolt	5
25	M8 x 3 1/8" Allen Bolt	4
26	M8 x 3 ½" Allen Bolt	1
27	M12 x 6 7/8" Hex Bolt	1
28	Ø 5/8" Washer	23
29	M6 x 5/8" Philips Screw	1
30	M12 Aircraft Nut	1
31	M10 Aircraft Nut	1
32	M8 Aircraft Nut	8
33	Ø ¾" Washer	2
34	Lower Main Frame	1

IMPEX[®] INC.

LIMITED WARRANTY

IMPEX Inc. ("IMPEX[®]") warrants this product to be free from defects in workmanship and material, under normal use and service conditions, for a period of two years on the Frame from the date of purchase. This warranty extends only to the original purchaser. IMPEX's obligation under this Warranty is limited to replacing or repairing, at IMPEX's option.

All returns must be pre-authorized by IMPEX. Pre-authorization may be obtained by calling IMPEX Customer Service Department at 1-800-999-8899. All freights on products returned to IMPEX must be prepaid by the customer. This warranty does not extend to any product or damage to a product caused by or attributable to freight damage, abuse, misuse, improper or abnormal usage or repairs not provided by an IMPEX authorized service center or for products used for commercial or rental purposes. No other warranty beyond that specifically set forth above is authorized by IMPEX.

IMPEX is not responsible or liable for indirect, special or consequential damages arising out of or in connection with the use or performance of the product or other damages with respect to any economic loss, loss of property, loss of revenues or profits, loss of enjoyments or use, costs of removal, installation or other consequential damages or whatsoever natures. Some states do not allow the exclusion or limitation of incidental or consequential damages. Accordingly, the above limitation may not apply to you.

The warranty extended hereunder is in lieu of any and all other warranties and any implied warranties of merchantability or fitness for a particular purpose is limited in its scope and duration to the terms set forth herein. Some states do not allow limitations on how long an implied warranty lasts. Accordingly, the above limitation may not apply to you.

This warranty gives you specific legal right. You may also have other rights which vary from state to state.

IMPEX[®] INC.
2801 S. Towne Ave.
Pomona, CA 91766

ORDERING REPLACEMENT PARTS

Replacement parts can be ordered by calling our Customer Service Department toll-free at **1-800-999-8899** during our regular business hours: Monday through Friday, 9 am until 5 pm Pacific standard time.

www.impex-fitness.com
support@impex-fitness.com

When ordering replacement parts, always give the following information.

1. Model
2. Description of Parts
3. Part Number
4. Date of Purchase