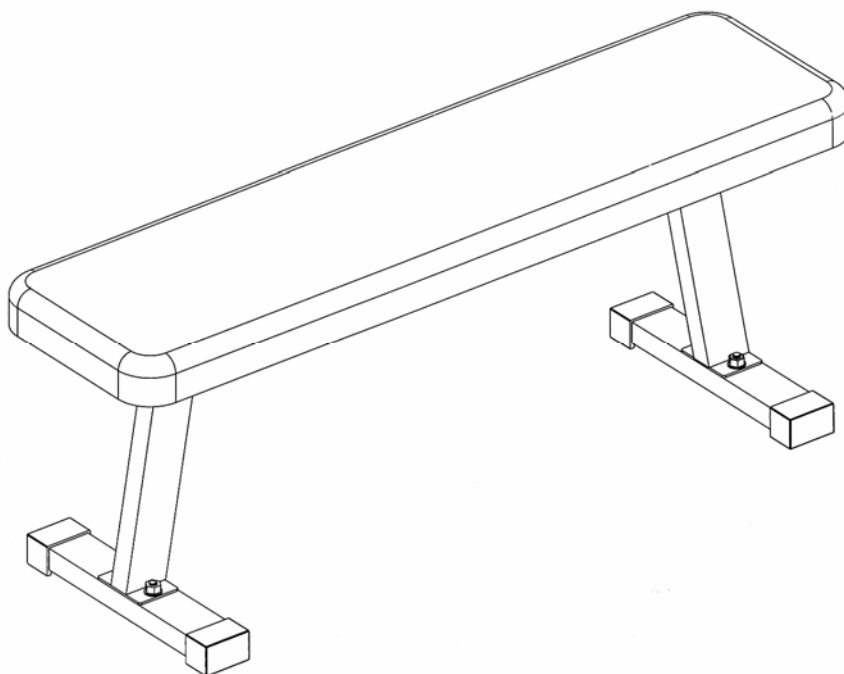


MARCY®

FLAT BENCH

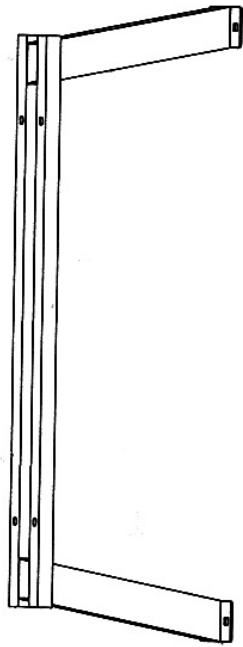
SB-315



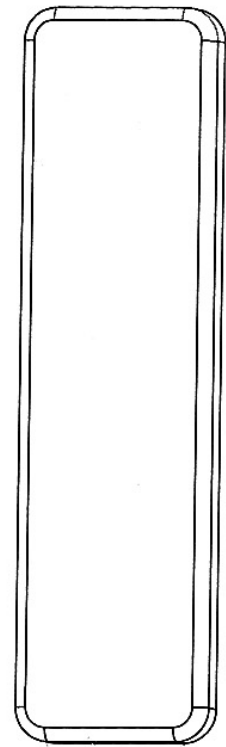
IMPORTANT: Please read the Important Safety Notice and Assembly Information in the Owner's manual before assembling this product.

Assembly Manual

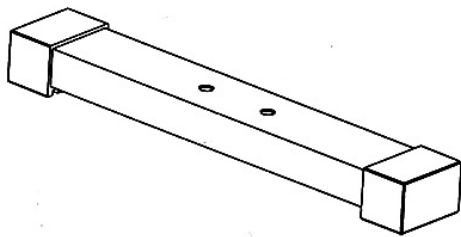
130621



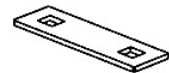
② X 1



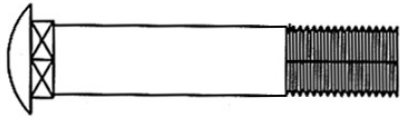
④ X 1



① X 2



③ X 2



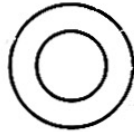
⑦ X 4



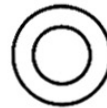
⑧ X 4



⑩ X 4



⑪ X 4

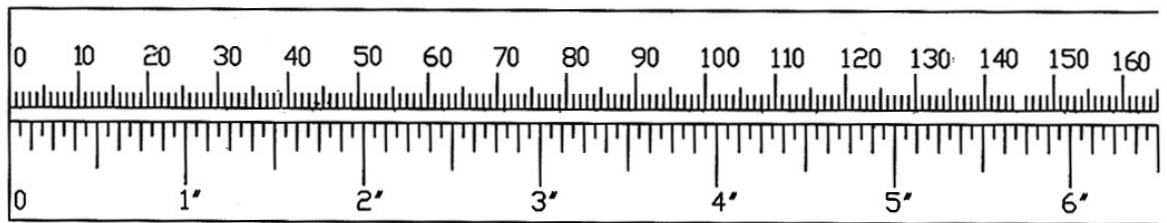


⑨ X 4

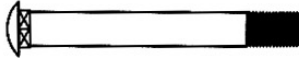


5#

mm



⑦ X 4



M10 x 2"

⑪ X 4

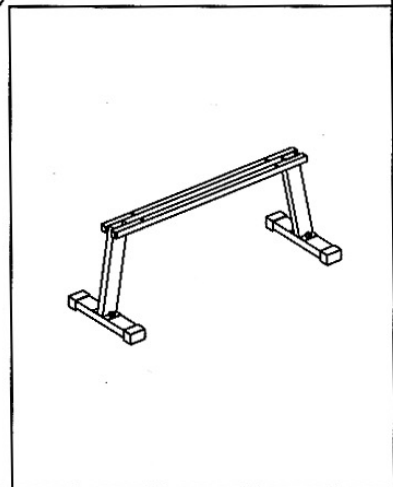
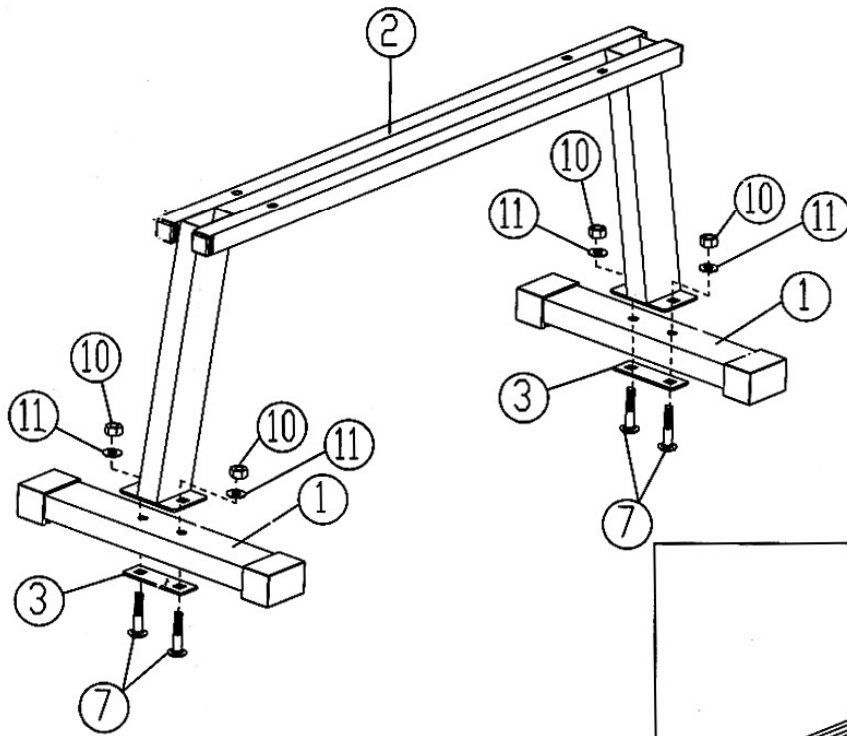
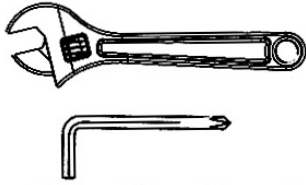


∅ 3/4"

⑩ X 4



M10



1

⑧ X 4

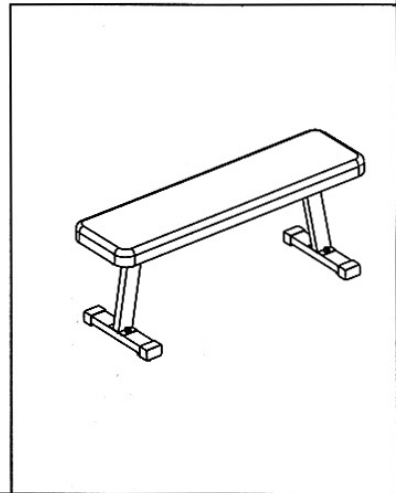
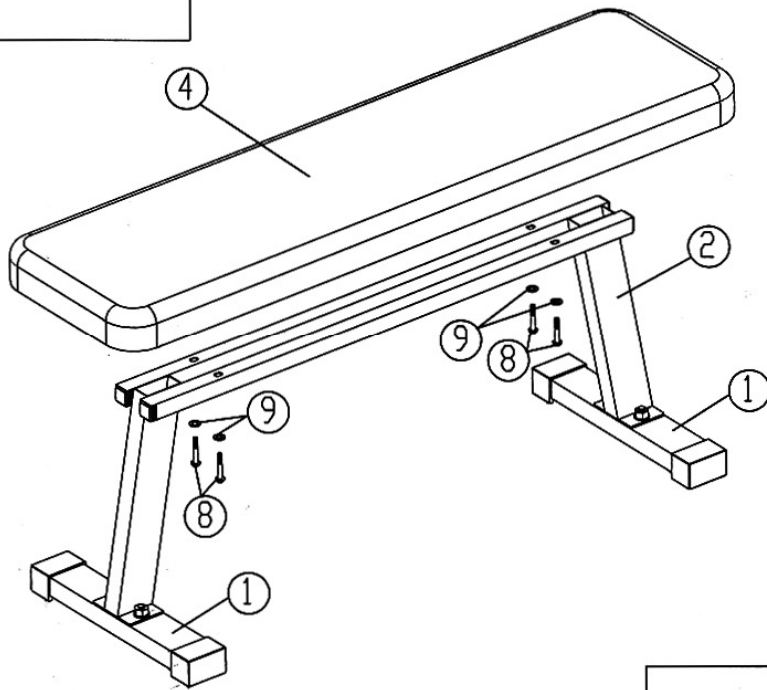


M8 x 1 1/2"

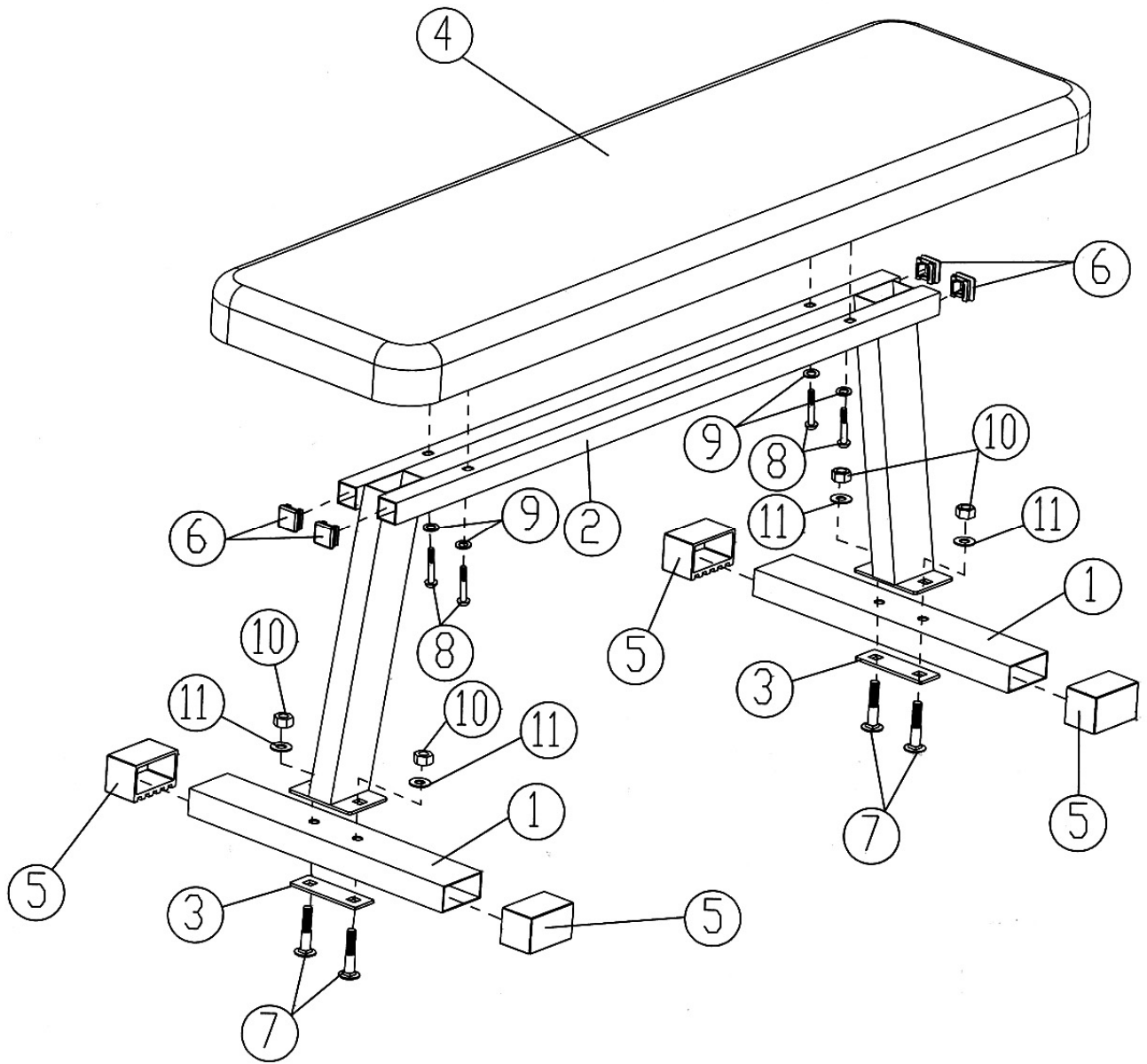
⑨ X 4



∅ 5/8"



2



IMPEX® INC.
 2801 S. Towne Ave, Pomona, CA 91766
 Tel: (800) 999-8899 Fax: (626) 961-9966
www.impex-fitness.com
info@impex-fitness.com