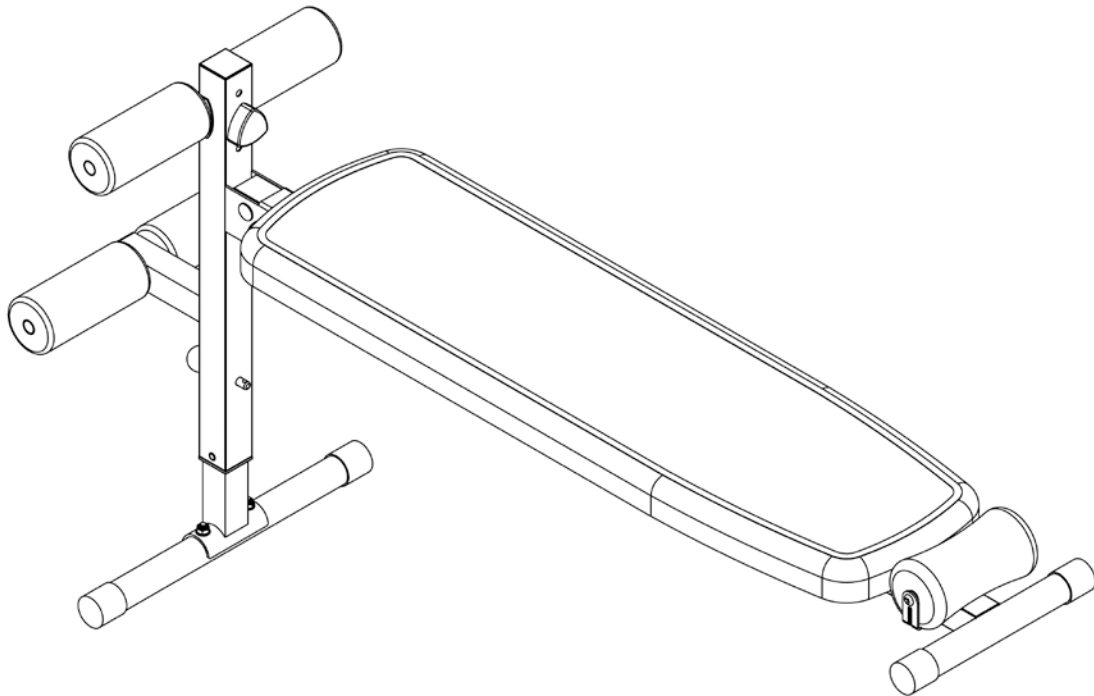


# MARCY<sup>®</sup>

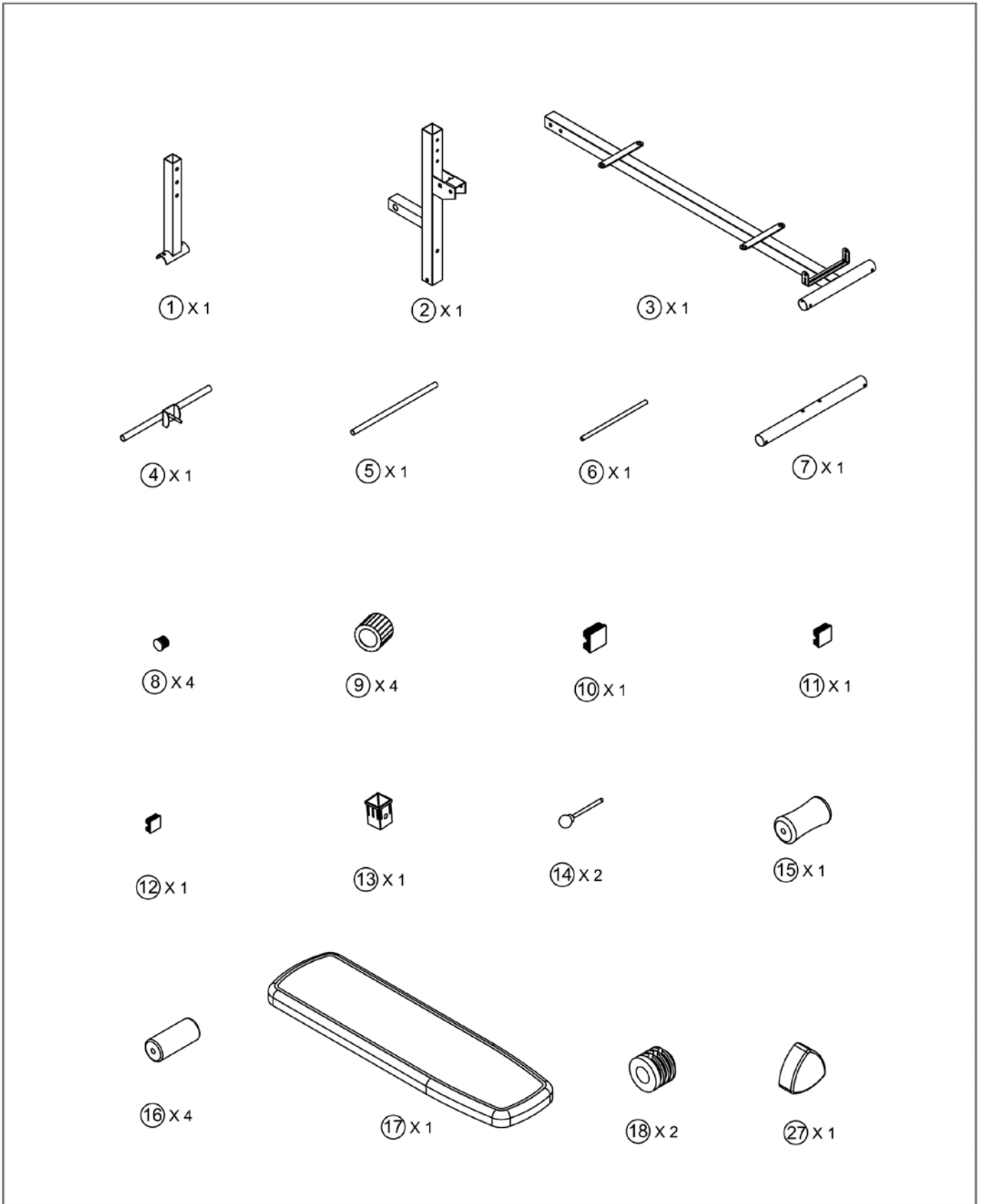
## SLANT BOARD WITH HEAD REST SB-4606



**IMPORTANT:** Please read the Important Safety Notice and Assembly Information in the Owner's manual before assembling this product.

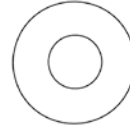
**Assembly Manual**

161116

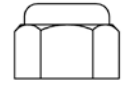




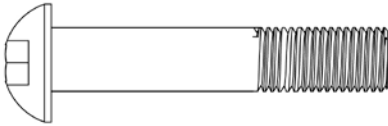
①9 X 1



②3 X 1



②4 X 1



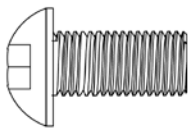
②5 X 2



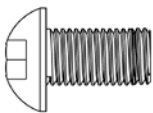
②2 X 8



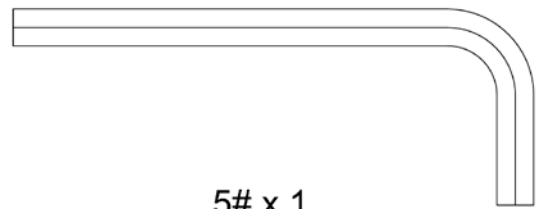
②6 X 2



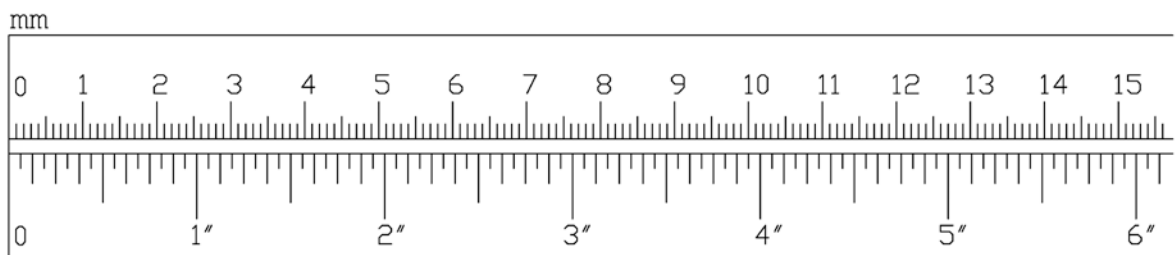
②1 X 4



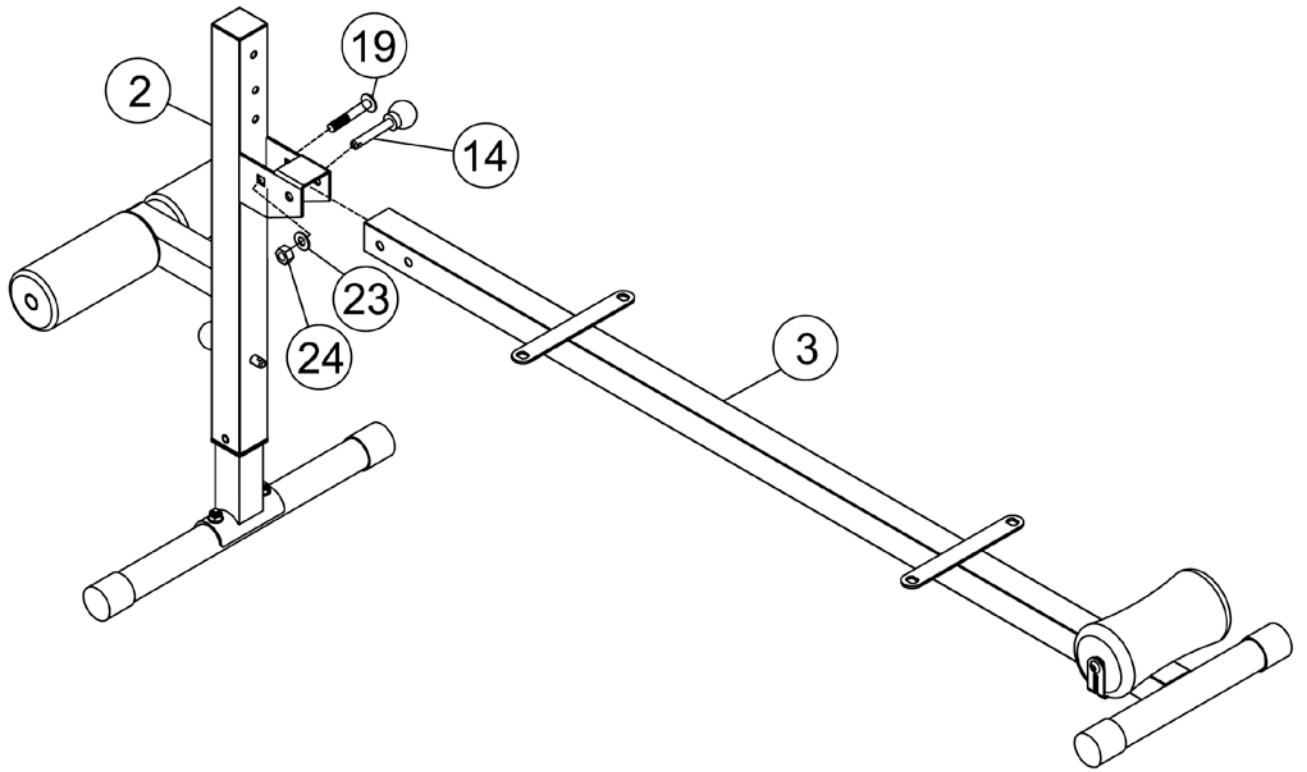
②0 X 2



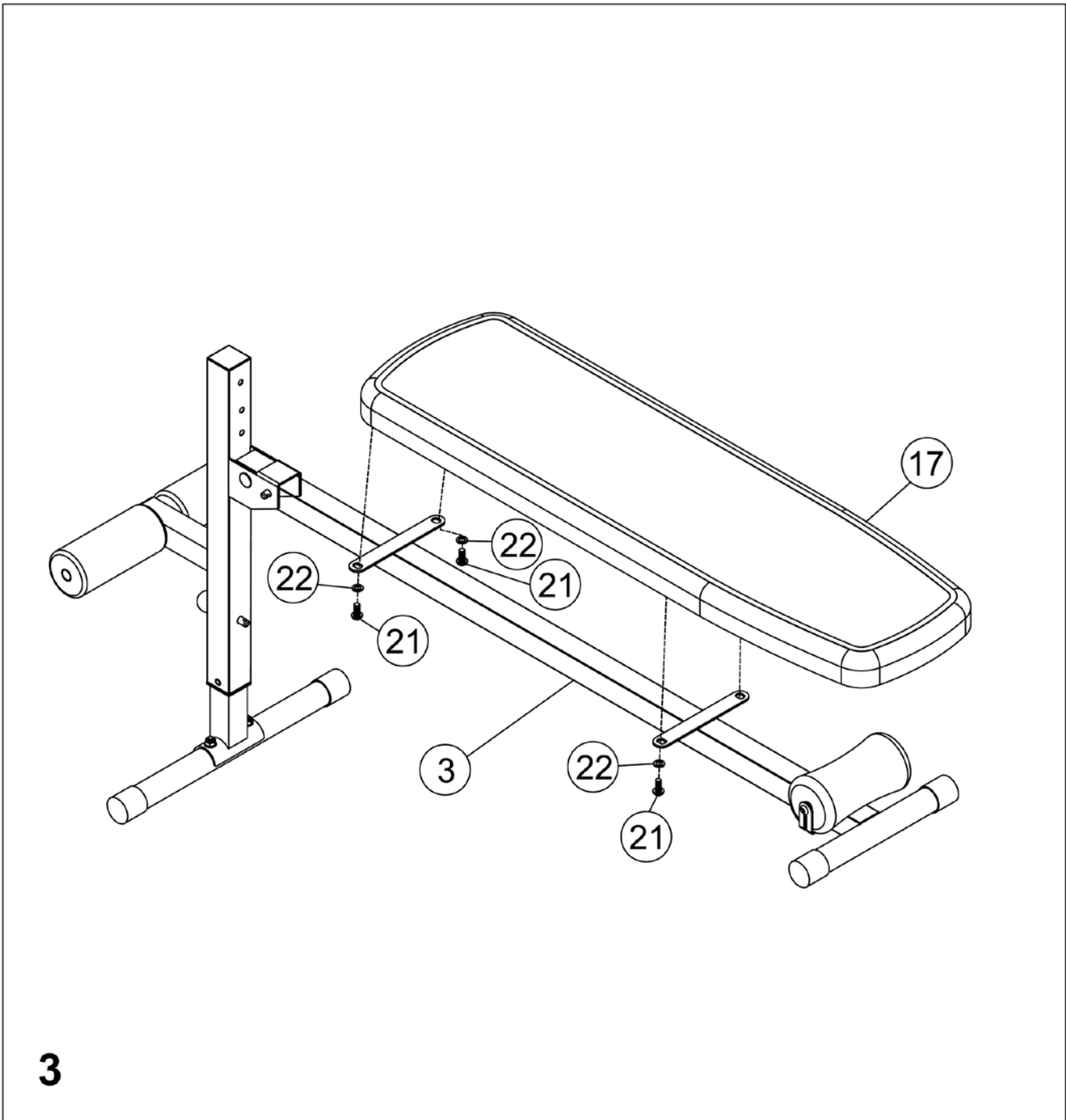
5# x 1



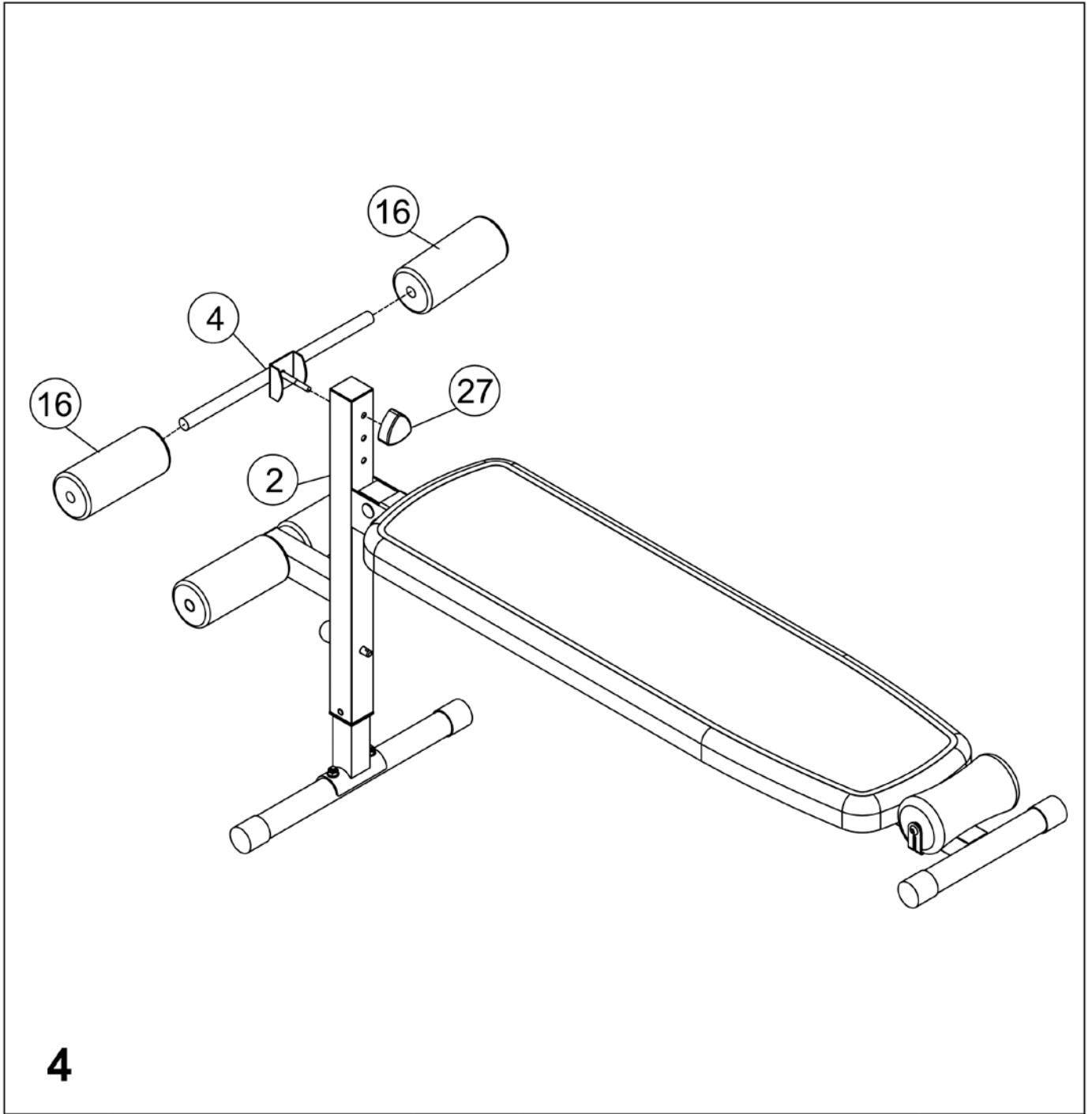


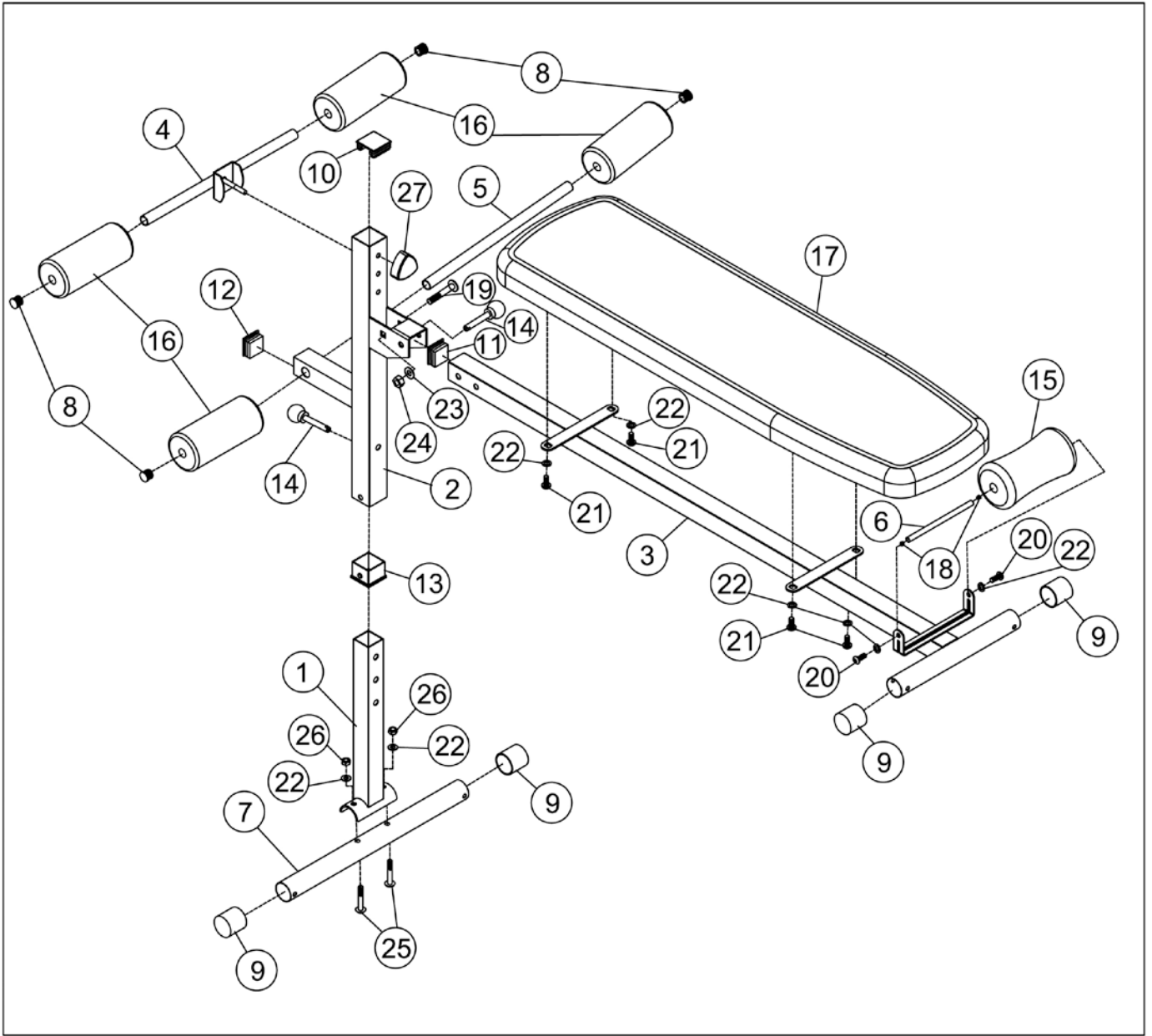


**2**



**3**







**IMPEX<sup>®</sup> INC.**

2801 South Towne Avenue, Pomona, California 91766

Tel: (800) 999-8899 Fax: (626) 961-9966

**[www.marcypro.com](http://www.marcypro.com)**

**[support@impex-fitness.com](mailto:support@impex-fitness.com)**