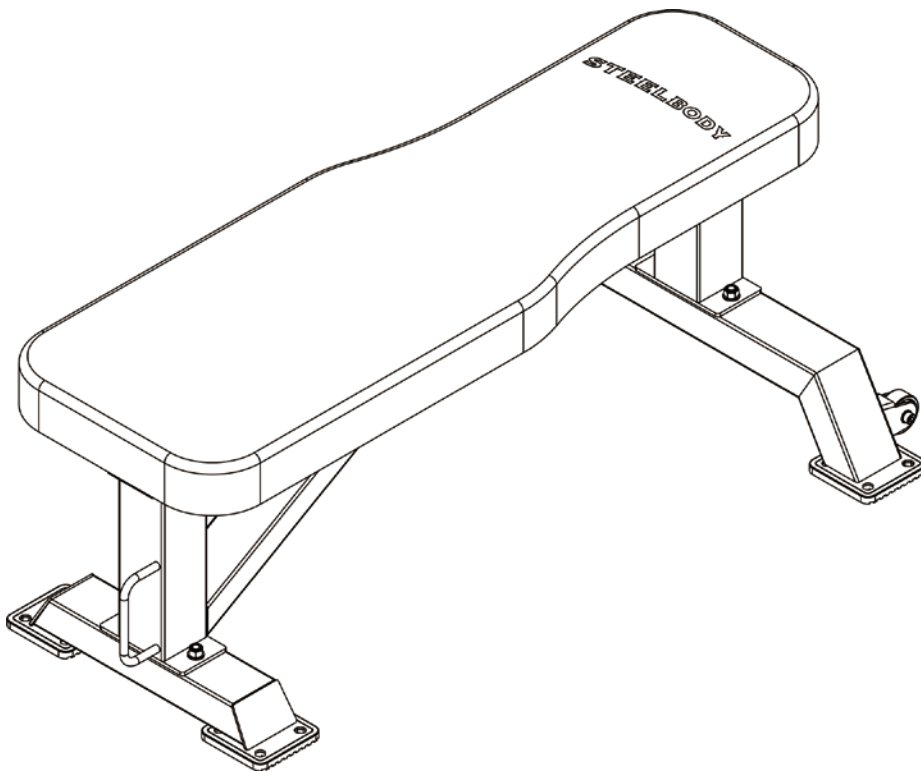


# STEELBODY

## FLAT BENCH

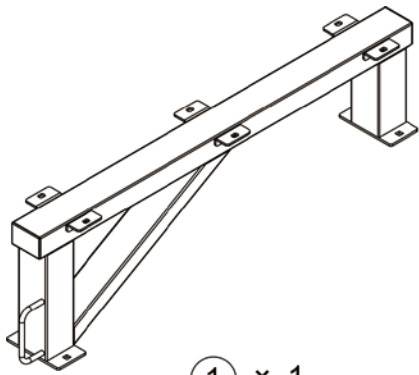
### STB-10101



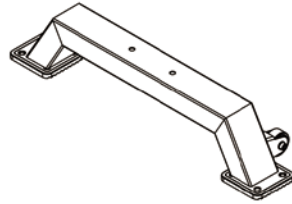
**IMPORTANT:** Please read the Important Safety Notice and Assembly Information in the Owner's manual before assembling this product.

**Assembly Manual**

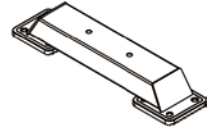
150825



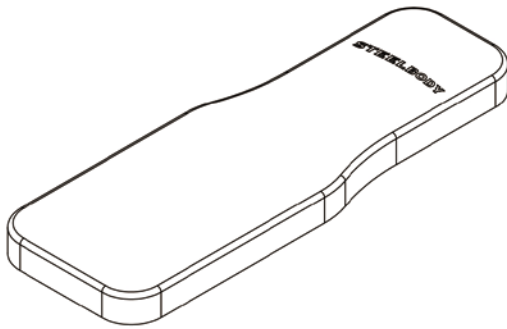
① × 1



② × 1



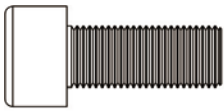
③ × 1



④ × 1



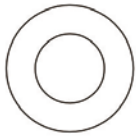
⑥ × 2



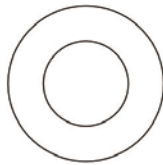
⑨ ×6



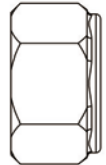
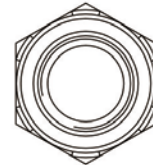
⑪ ×4



⑫ ×6



⑬ ×4

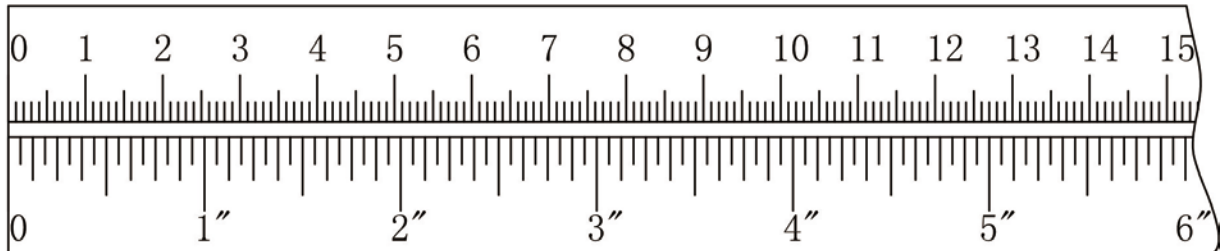





⑮ ×4

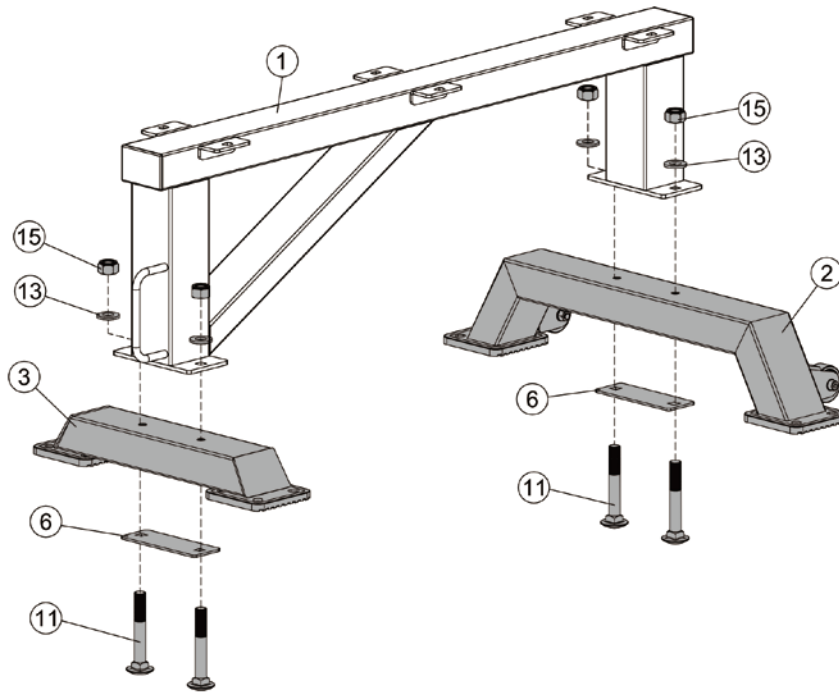


6#×1

mm



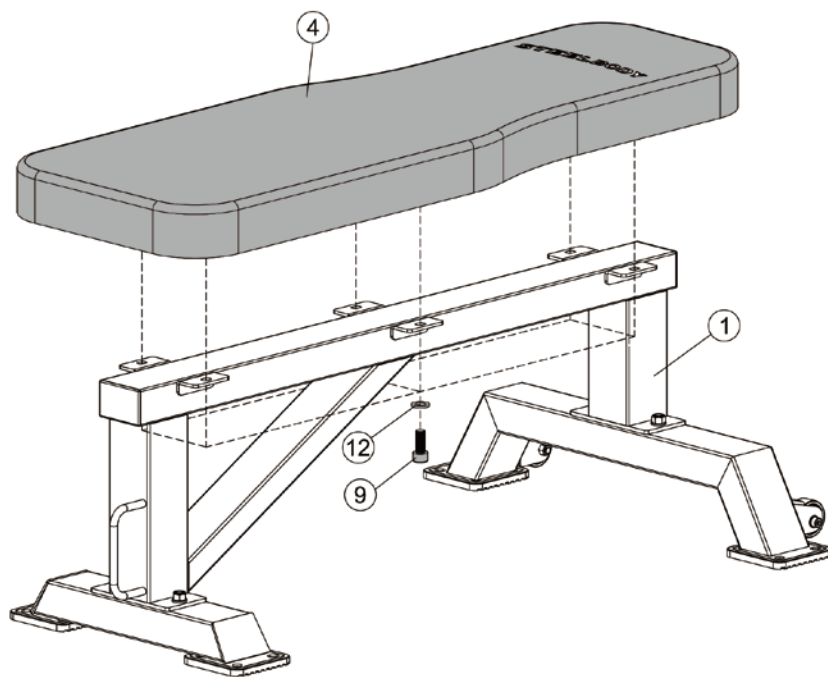
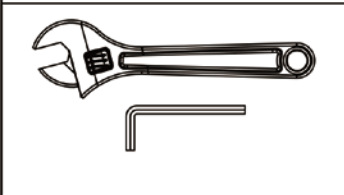
- ⑪  ×4 M10×2 3/4"      ⑮  ×4 M10  
 ⑬  ×4 Φ 3/4"



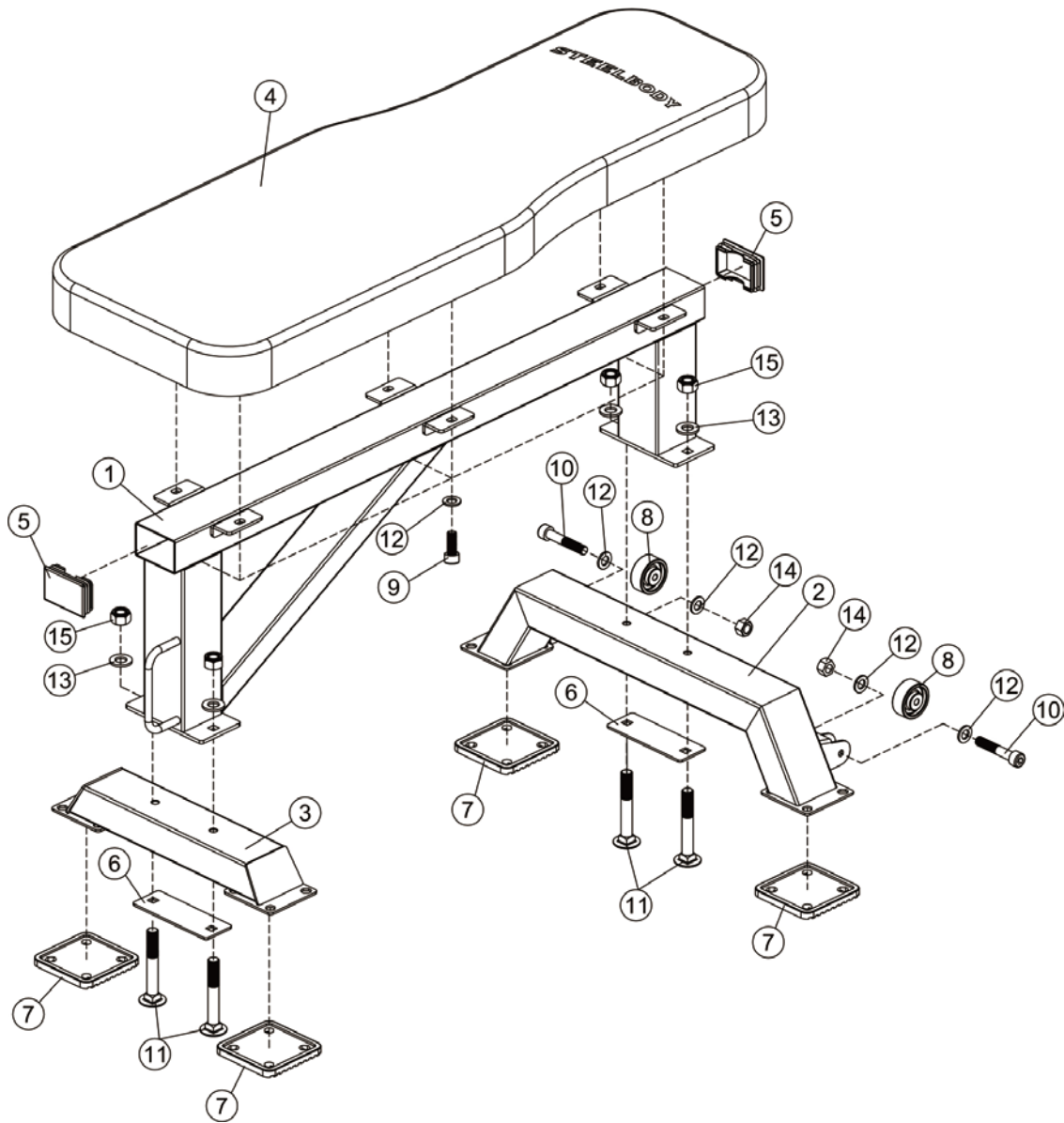
1

⑨  ×6 M8×<sup>3</sup>/<sub>4</sub>"

⑫  | ×6 Φ<sup>5</sup>/<sub>8</sub>"



2



**IMPEX® INC.**

2801 S. Towne Ave, Pomona, CA 91766

Tel: (800) 999-8899 Fax: (626) 961-9966

**[www.impex-fitness.com](http://www.impex-fitness.com)**

**[info@impex-fitness.com](mailto:info@impex-fitness.com)**