

UTILITY BENCH

STE00108

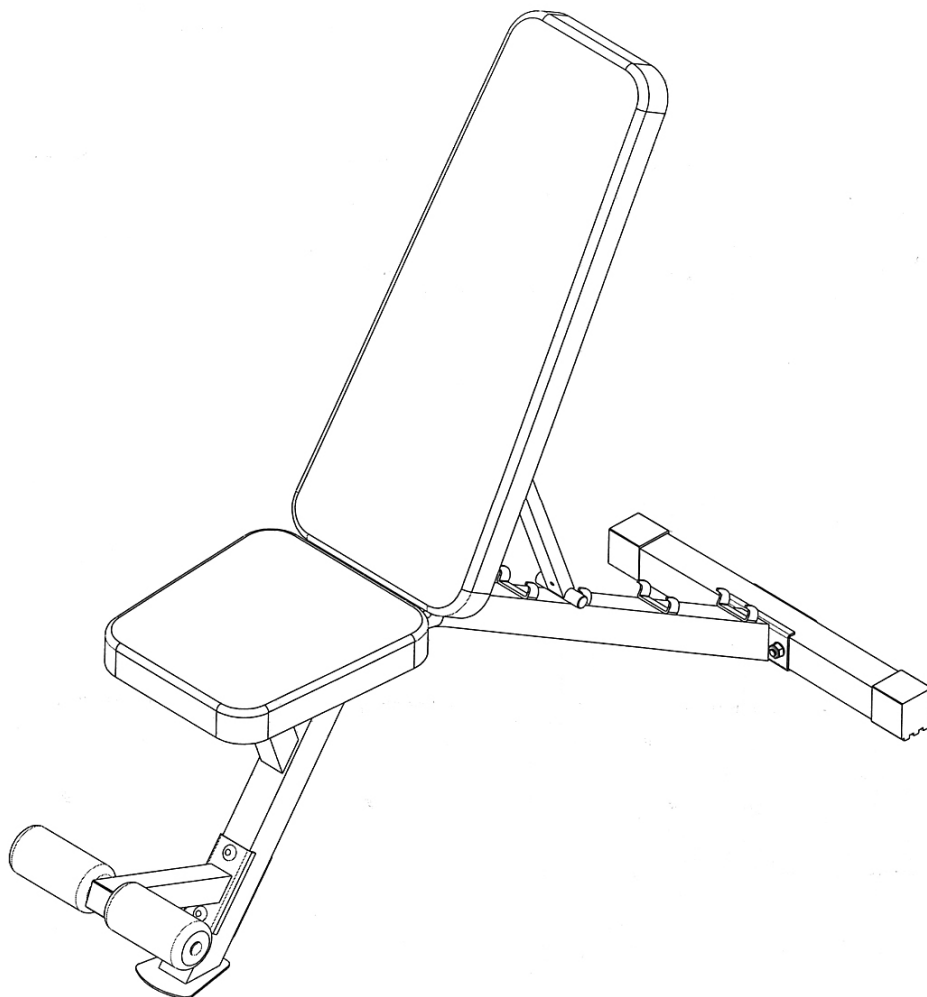
FG UB|250

**FITNESS
GEAR**

Tools Required:
Adjustable Wrench
Allen Wrench

OWNER'S MANUAL

Retain This Manual For Reference



Distributed by ASLI, 1011 Centre Road, Wilmington, DE 19805

TABLE OF CONTENTS

BEFORE YOU BEGIN.....	1
IMPORTANT SAFETY NOTICES.....	2
WARNING LABEL PLACEMENT.....	3
HARDWARE PACK.....	4
ASSEMBLY INSTRUCTIONS.....	5
EXPLODED DIAGRAM.....	8
PARTS LIST.....	9
WARRANTY.....	11
ORDERING PARTS.....	11

BEFORE YOU BEGIN

Thank you for selecting the FG UB-250 Utility Bench. For your safety and benefit, read this manual carefully before using the machine. We are committed to providing you customer satisfaction. If you have any questions, or find there are missing or damaged parts, please contact our Customer Service Agents.

Toll-Free Customer Service Number
1-866-677-4771
Mon. – Fri. 9 a.m. – 5 p.m. EST
customer.service@dcs.com

IMPORTANT SAFETY NOTICE

PRECAUTIONS

Certain precautions apply when you operate a piece of exercise equipment. Be sure to read the entire manual before you assemble or operate your machine. In particular, note the following safety precautions:

1. **Keep children and pets away from the machine at all times. DO NOT leave children unattended in the same room with the machine.**
2. Only one person at a time should use the machine.
3. If the user experiences dizziness, nausea, chest pain, or any other abnormal symptoms, STOP the workout at once. CONSULT A PHYSICIAN IMMEDIATELY.
4. Position the machine on an obstruction free, level surface. DO NOT use the machine near water or outdoors.
5. Keep hands away from all moving parts. ALWAYS ensure the Incline Support is properly secured before use. DO NOT adjust seat or backrest while sitting on bench. Adjust seat and backrest from standing position with no weight on the seat or backrest.
6. Always wear appropriate workout clothing when exercising. DO NOT wear robes or other clothing that could become caught in the machine. Running or aerobic shoes are required when using the machine.
7. Use the machine only for its intended use as described in this manual. DO NOT use attachments not recommended by the manufacturer.
8. Do not place any sharp objects around the machine.
9. Before using the machine, always stretch properly to warm up.
10. Never operate the machine if the machine is not functioning properly.
11. Always exercise with an experienced spotter. ALWAYS test the position of the seat and backrest to be sure both are secure before beginning exercises.
12. **This machine is designed and intended for home and consumer use only, not for commercial use.**

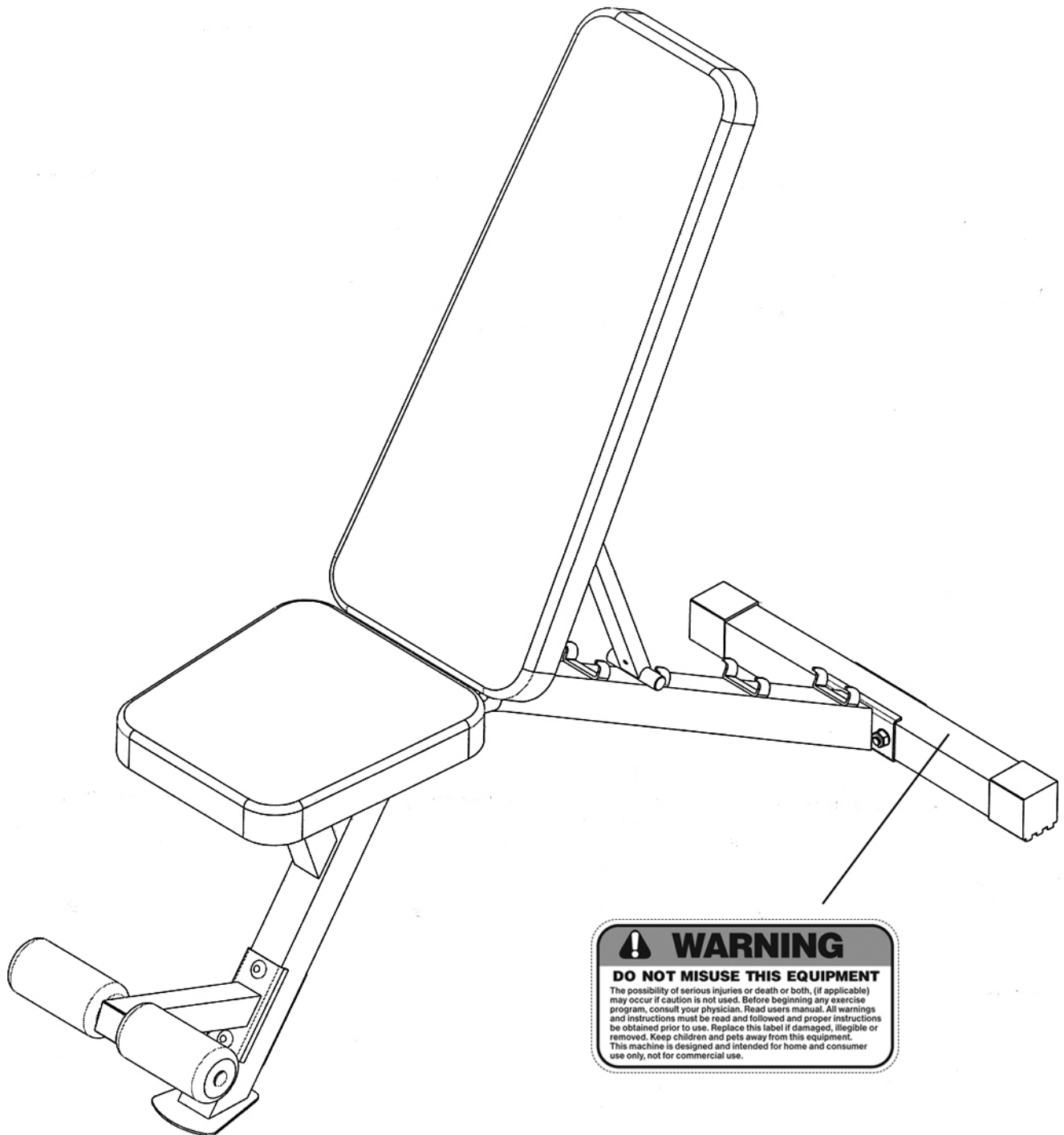
CARE AND MAINTENANCE

1. Periodically Lubricate moving parts with WD-40 or light oil .
2. Inspect and tighten all parts before using the machine. DO NOT overtighten. If parts are worn or damaged, DO NOT use. Contact Customer Service for replacement parts.
3. **Failure to examine regularly may affect the safety level of the machine.**
4. The machine can be cleaned using a damp cloth and mild non-abrasive detergent. DO NOT use solvents or bleach.
5. **Maximum weight Capacity (User weight + Dumbbell Weight): 400 lbs**
6. Assembled Dimension: 49" x 21.75" x 48.5"

WARNING: CONSULT WITH YOUR DOCTOR BEFORE BEGINNING ANY EXERCISE PROGRAM. READ ALL INSTRUCTIONS BEFORE USING ANY FITNESS EQUIPMENT. NOT FOR USE BY CHILDREN UNDER AGE 14. INSPECT FOR DAMAGE BEFORE EACH USE. DO NOT USE IF DAMAGED OR MISSING PARTS.

SAVE THESE INSTRUCTIONS.

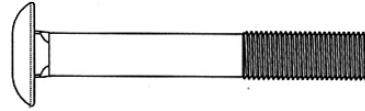
WARNING LABEL PLACEMENT



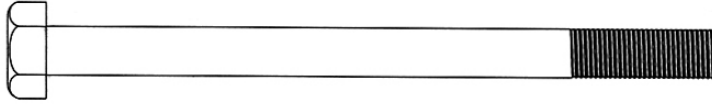
The warning labels shown here have been placed on the Main Frame. If the labels are missing or illegible, please call customer service at 1-866-677-4771 for replacements. Apply the labels in the location shown.

HARDWARE PACK

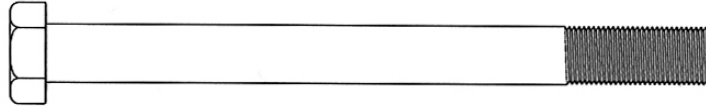
NOTE: The following parts are not drawn to scale. Please use your own ruler to measure the size.



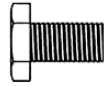
#11 M10 x 2 $\frac{5}{8}$ " Carriage Bolt (Qty 4)



#12 M10 x 5 $\frac{1}{2}$ " Hex Bolt (Qty 1)



#13 M12 x 5 $\frac{1}{2}$ " Hex Bolt (Qty 1)



#14 M8 x $\frac{5}{8}$ " Hex Bolt (Qty 2)



#15 M8 x 1 $\frac{1}{8}$ " Hex Bolt (Qty 1)



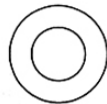
#16 M6 x 1 $\frac{1}{2}$ " Hex Bolt (Qty 4)



#17 \varnothing $\frac{1}{2}$ " Washer (Qty 4)



#18 \varnothing $\frac{5}{8}$ " Washer (Qty 3)



#19 \varnothing $\frac{3}{4}$ " Washer (Qty 6)



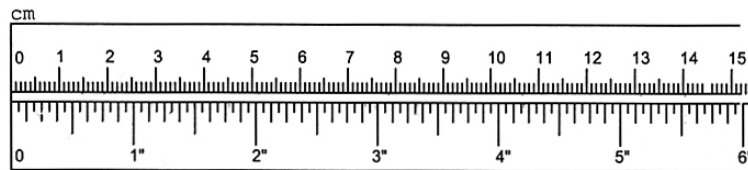
#20 \varnothing 1" Washer (Qty 2)



#21 M10 Aircraft Nut (Qty 5)



#22 M12 Aircraft Nut (Qty 1)



ASSEMBLY INSTRUCTION

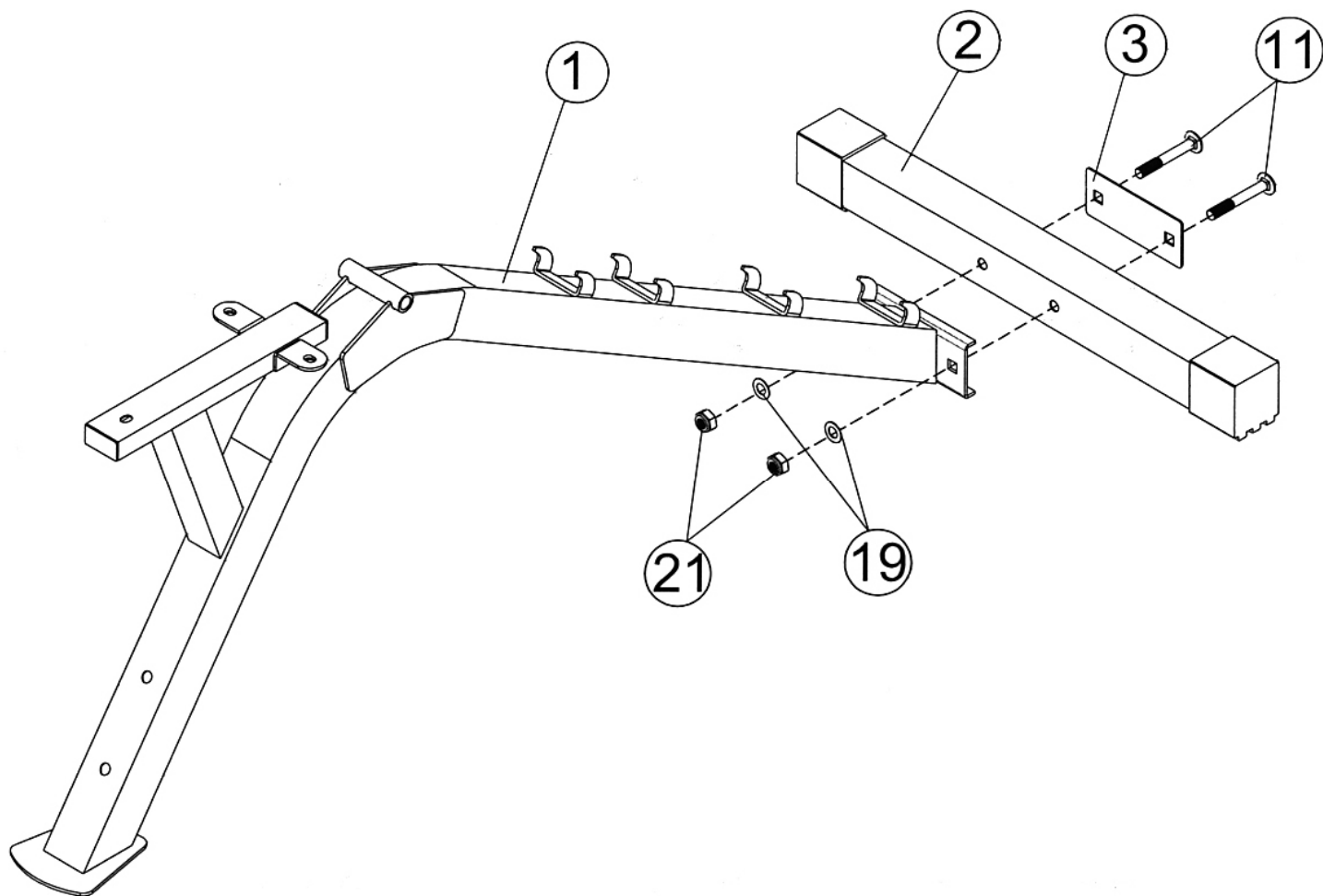
Tools Required for Assembling the Machine: Adjustable Wrench and Allen Wrench.

NOTE: It is strongly recommended that this machine be assembled and moved by two or more people to avoid possible injury.

STEP 1 (See Diagram 1)

- A.) Attach the Main Frame (#1) to Rear Base (#2). Secure them together with two M10 x 2 5/8" Carriage Bolts (#11), one Bracket (#3), two Ø 3/4" Washers (#19), and two M10 Aircraft Nuts (#21).

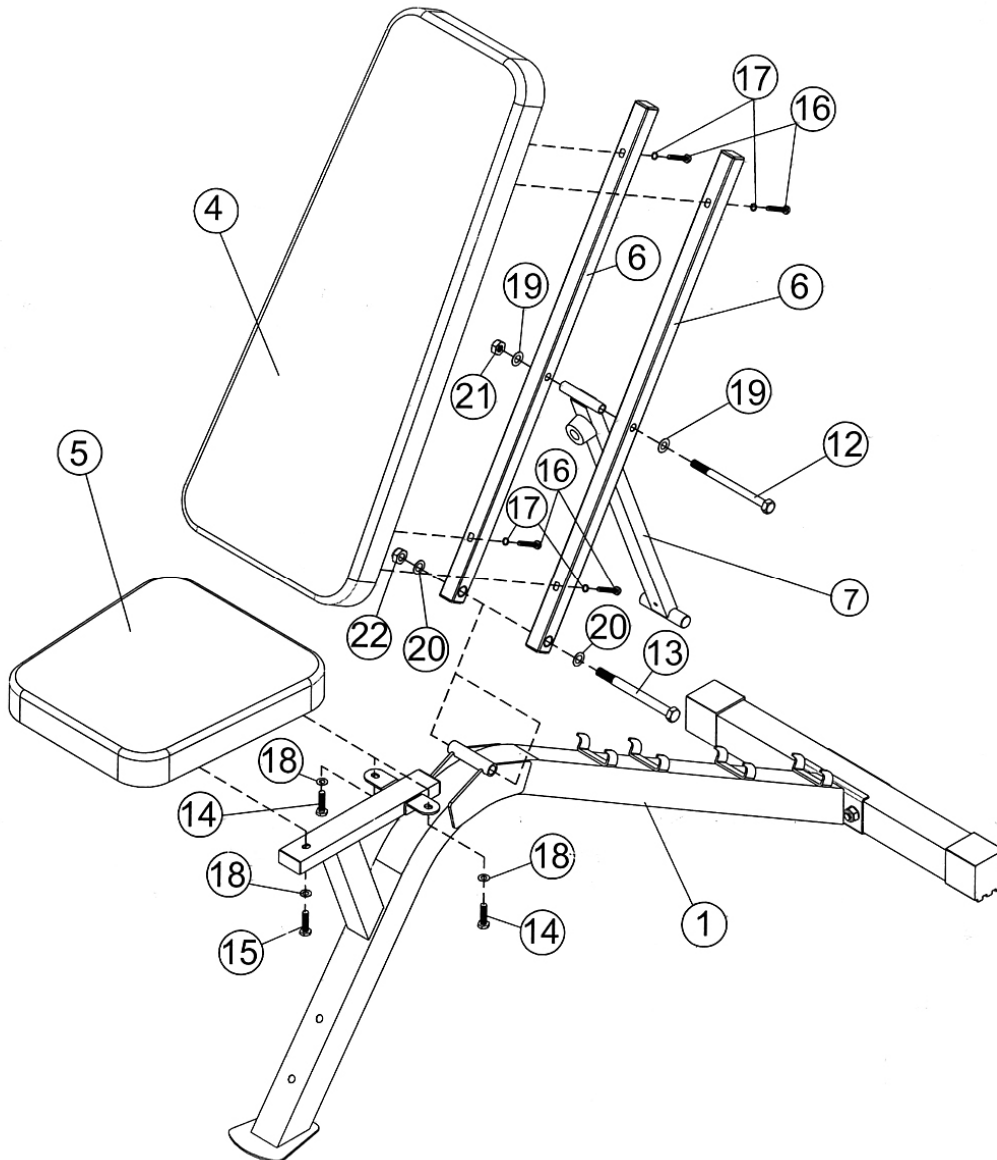
DIAGRAM 1



STEP 2 (See Diagram 2)

- A.) Attach the Incline Support (#7) to the middle side holes on the two Backrest Supports (#6). Secure them together with one M10 x 5 1/2" Hex Bolt (#12), two Ø 3/4" Washers (#19), and one M10 Aircraft Nut (#21). **Do not over tighten the Nut and Bolt; make sure the Incline Support can swivel freely.**
- B.) Attach the two Backrest Supports to the pivot on Main Frame. Secure them with one M12 x 5 1/2" Hex Bolt (#13), two Ø 1" Washers (#20), and one M12 Aircraft Nut (#22). **Do not over tighten the Nut and Bolt; make sure Backrest Supports can swivel freely.**
- C.) Attach the Backrest Board (#4) to the Backrest Supports. Secure it with four M6 x 1 1/2" Hex Bolt (#16) and four Ø 1/2" Washers (#17).
- D.) Attach the Seat Pad (#5) to the seat support on Main Frame. Secure the front Seat Pad with one M8 x 1 1/8" Hex Bolt (#15) and one Ø 5/8" washer (#18). Secure the back with two M8 x 5/8" Hex Bolts (#14) and two Ø 5/8" washers (#18).

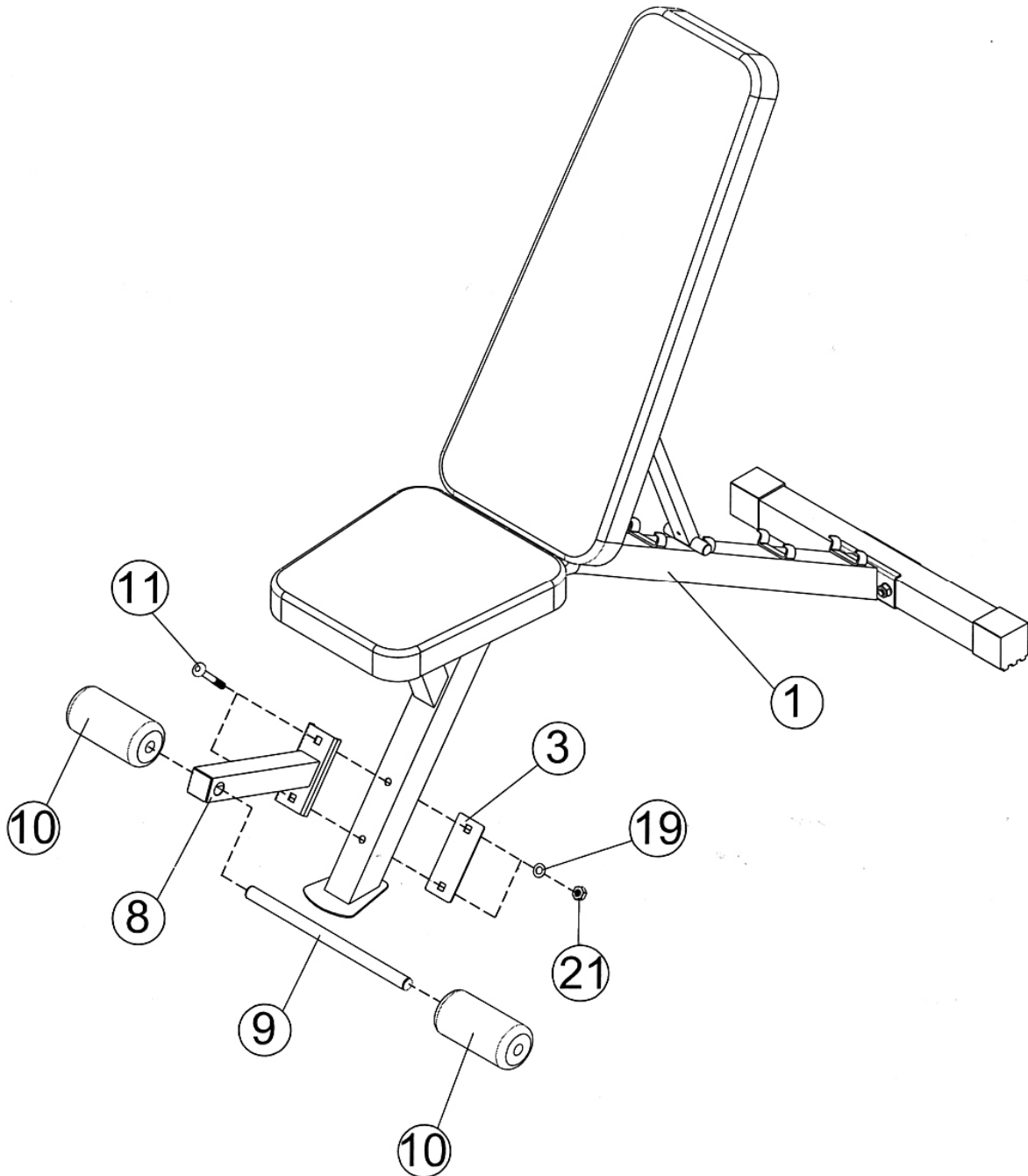
DIAGRAM 2



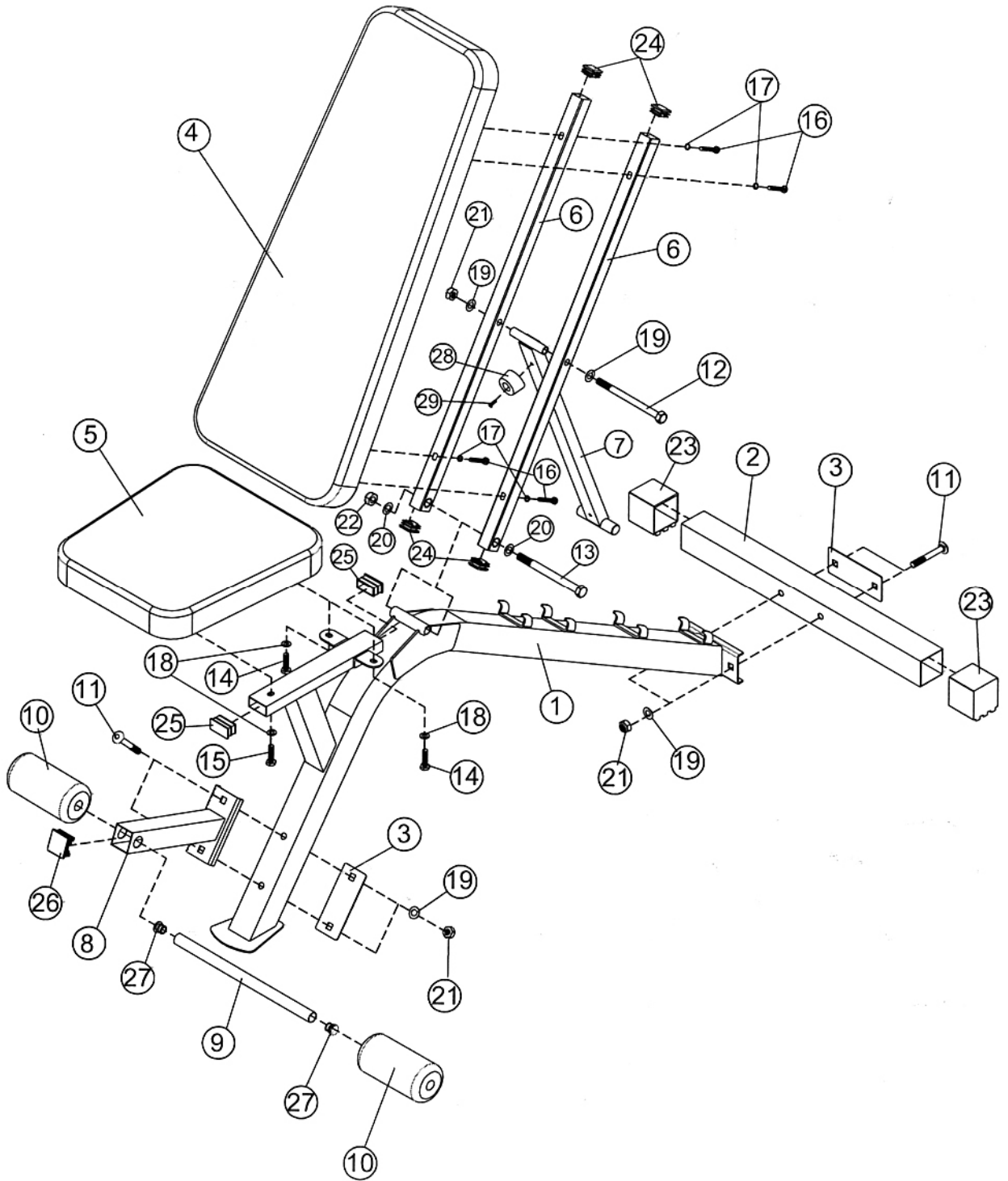
STEP 3 (See Diagram 3)

- A.) Attach the Leg Curl Support (#8) to front of Main Frame (#1). Secure it with two M10 x 2 5/8" Carriage Bolts (#11), one Bracket (#3), two $\text{\O} \frac{3}{4}$ " Washers (#19), and two M10 Aircraft Nuts (#21).
- B.) Insert the Foam Tube (#9) through the hole on Leg Curl Support. Push two Foam Rolls (#10) onto the Foam Tube.

DIAGRAM 3



EXPLODED DIAGRAM

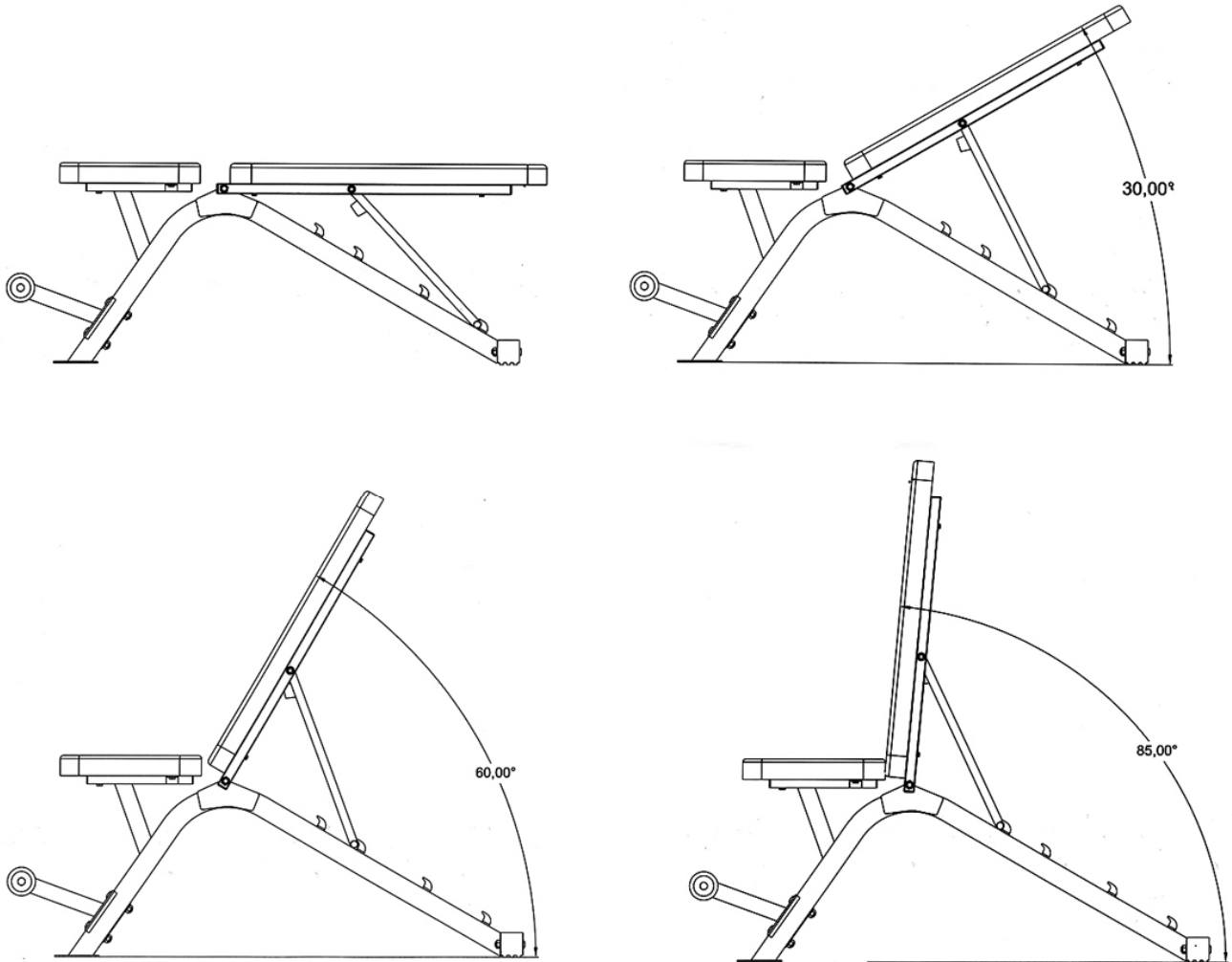


STE00108 PARTS LIST

PART NO.	DESCRIPTION	SIZE	QUANTITY
1	Main Frame		1
2	Rear Base		1
3	Bracket		2
4	Backrest Board		1
5	Seat Pad		1
6	Backrest Support		2
7	Incline Support		1
8	Leg Curl Support		1
9	Foam Tube		1
10	Foam Roll		2
11	Carriage Bolt	M10 x 2 5/8"	4
12	Hex Bolt	M10 x 5 1/2"	1
13	Hex Bolt	M12 x 5 1/2"	1
14	Hex Bolt	M8 x 5/8"	2
15	Hex Bolt	M8 x 1 1/8"	1
16	Hex Bolt	M6 x 1 1/2"	4
17	Washer	Ø 1/2"	4
18	Washer	Ø 5/8"	3
19	Washer	Ø 3/4"	6
20	Washer	Ø 1"	2
21	Aircraft Nut	M10	5
22	Aircraft Nut	M12	1
23	End Cap	2" x 2"	2
24	End Cap	1" x 1"	4
25	End Cap	3/4" x 1 5/8"	2
26	End Cap	1 1/2" x 1 1/2"	1
27	End Cap	Ø 3/4"	2
28	Rubber Bumper		1
29	Philips Screw	M6 x 5/8"	1

INCLINE ADJUSTMENT

When adjusting the Backrest Incline; make sure the Incline Support sits firmly onto the open slot on Main Frame to avoid possible injury.



LIMITED WARRANTY

ASLI (the "Company") warrants this product to be free from defects in workmanship and materials as follows:

Who is Covered

This Limited Warranty covers only the person who first bought the product. This Limited Warranty is not transferable to anyone else.

What the Warranty Covers

This Limited Warranty covers defects in materials and workmanship.

What the Warranty Does Not Cover

This Limited Warranty does not cover:

- Expendable items, including by way of example only and not by way of limitation: batteries, light bulbs, fuses, zippers, tires, belts, shoe soles, fabric, and other items that experience wear as a result of normal use.
- Damage through improper use, negligence, abuse, misuse, transportation, acts of nature, or accident, including failure to perform routine maintenance or follow the assembly and/or operating instructions supplied with the product.
- Products used in commercial or rental applications.
- Products that have been modified or repaired by anyone not authorized by the Company.

This Limited Warranty does not cover any consequential or incidental damages of any kind, including transportation to get warranty service, loss of time, and loss of use. Some states do not allow the exclusion or limitation of incidental or consequential damages, so the above limitation may not apply to you.

What the Period of Coverage Is

This Limited Warranty lasts for a period of one year from the date of your original purchase. Any implied warranty arising under state law is limited in duration to the one year period of this Limited Warranty. Some states do not allow limitations on how long an implied warranty lasts, so the above limitation may not apply to you.

What the Company Will Do To Correct Problems

The Company will furnish a replacement part at no charge to you.

How You Can Get Service

Please direct all warranty service inquiries as follows:

If in writing, mail to: **ASLI**
 1011 Centre Road
 Wilmington, DE 19805
 Attn: Customer Service
 Serial No. STE00108

If by telephone, call: **1-866- 677- 4771**
If by e-mail, to: customer.service@dcsq.com

How State Law Applies

This Limited Warranty gives you specific legal rights, and you may also have other rights which vary from state to state.