

NOTE:  
Please read all  
instructions carefully  
before using this product

Safety Notice

Assembly Instruction

Parts List

Warranty

Ordering Parts

Model  
DBR-0117

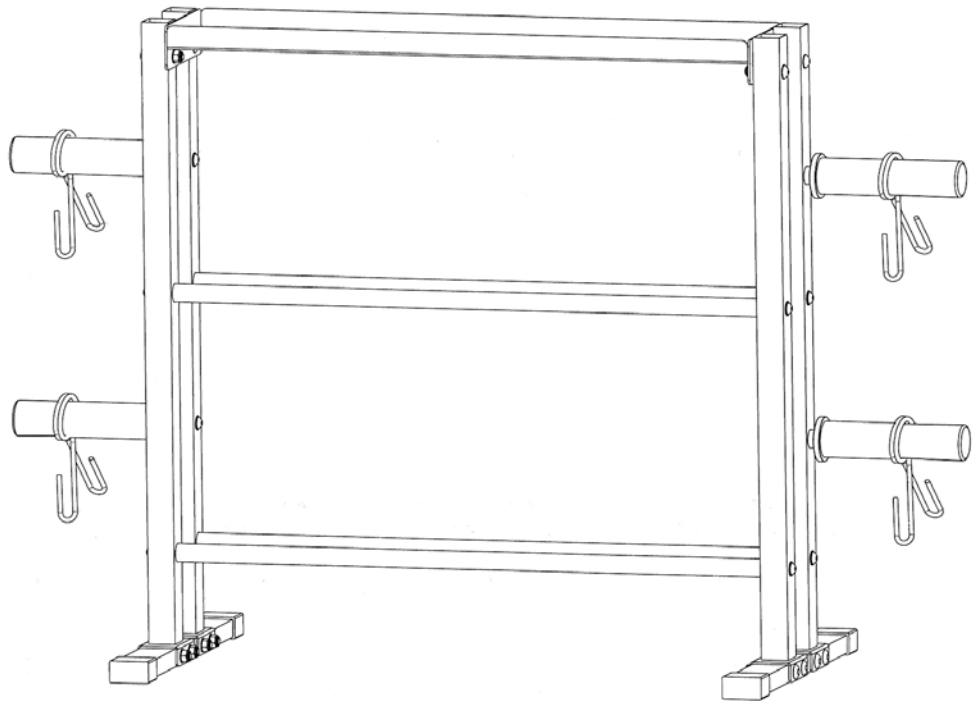
Retain This  
Manual for  
Reference

150505

OWNER'S  
MANUAL

# IMPEX

## MARCY PREMIUM RACK DBR-0117



### IMPEX INC.

2801 S. Towne Ave, Pomona, CA 91766  
Tel: (800) 999-8899 Fax: (626) 961-9966

[www.impex-fitness.com](http://www.impex-fitness.com)  
[support@impex-fitness.com](mailto:support@impex-fitness.com)

---

## TABLE OF CONTENTS

BEFORE YOU BEGIN.....	1
IMPORTANT SAFETY NOTICES.....	2
ASSEMBLY INSTRUCTIONS.....	5
EXPLODED DIAGRAM.....	8
PARTS LIST.....	9
WARRANTY.....	10
ORDERING PARTS.....	10

---

## BEFORE YOU BEGIN

Thank you for selecting the MARCY Premium Rack DBR-0117 by IMPEX INC. For your safety and benefit, read this manual carefully before using the machine. As a manufacturer, we are committed to provide you complete customer satisfaction. If you have any questions, or find there are missing or damaged parts, we guarantee you complete satisfaction through direct assistance from our factory. To avoid unnecessary delays, please call our *TOLL-FREE customer service number*. Our Customer Service Agents will provide immediate assistance to you.

<p>Toll-Free Customer Service Number 1-800-999-8899 Mon. – Fri. 9 a.m. – 5 p.m. PST <a href="http://www.impex-fitness.com">www.impex-fitness.com</a> <a href="mailto:support@impex-fitness.com">support@impex-fitness.com</a></p>
---

## **IMPORTANT SAFETY NOTICE**

### **PRECAUTIONS**

This exercise machine is built for optimum safety. However, certain precautions apply whenever you operate a piece of exercise equipment. Be sure to read the entire manual before you assemble or operate your equipment. In particular, note the following safety precautions:

1. **Keep children and pets away from the equipment at all times. DO NOT leave children unattended in the same room with this equipment.**
2. If the user experiences dizziness, nausea, chest pain, or any other abnormal symptoms, STOP the workout at once. CONSULT A PHYSICIAN IMMEDIATELY.
- 3.. Position the equipment on a clear, leveled surface. DO NOT use the equipment near water or outdoors.
- 4.. Keep hands away from all moving parts.
- 5.. Always wear appropriate workout clothing when exercising. DO NOT wear robes or other clothing that could become caught in the equipment. Running or aerobic shoes are also required when using the equipment.
6. Use the equipment only for its intended use as described in this manual. DO NOT use attachments not recommended by the manufacturer.
7. Do not place any sharp object around the equipment.
8. Disabled person should not use the machine without a qualified person or physician in attendance.
9. Before using the equipment to exercise, always do stretching exercises to properly warm up.
10. Never operate the equipment if the machine is not functioning properly.
11. **This equipment is designed and intended for home and consumer use only, not for commercial use.**

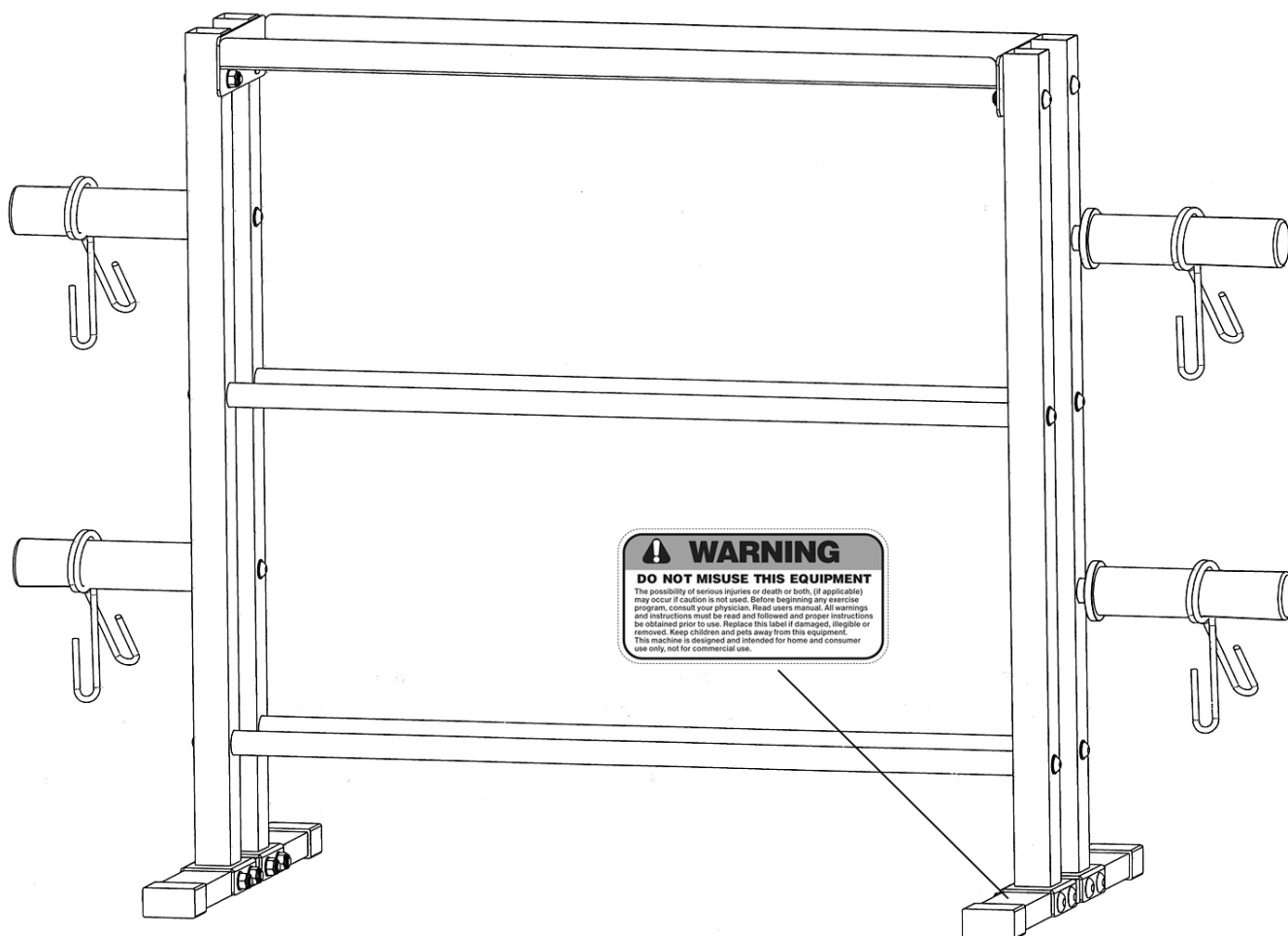
### **CARE AND MAINTENANCE**

1. Inspect and tighten all parts before using the equipment. DO NOT over tighten. If parts are worn or damaged, DO NOT use. Contact Customer Service for replacement parts.
2. **Failure to examine regularly may affect the safety level of the equipment.**
3. The equipment can be cleaned using a damp cloth and mild non-abrasive detergent. DO NOT use solvents or bleach.
4. **Maximum weight load on Kettle Bell Rack: 200lbs**
5. **Maximum weight load on each set of Dumbbell Tube:200lbs**
6. **Maximum weight on each Weight Plate Post:100lbs**
7. **Maximum weight Capacity: 1,000 lbs**
8. Assembled Dimension: 53.5" x 18.25" x 35.75"

**WARNING: BEFORE BEGINNING ANY EXERCISE PROGRAM, CONSULT YOUR PHYSICIAN. THIS IS ESPECIALLY IMPORTANT FOR INDIVIDUALS OVER THE AGE OF 35 OR PERSONS WITH PRE-EXISTING HEALTH PROBLEMS. READ ALL INSTRUCTIONS BEFORE USING ANY FITNESS EQUIPMENT. IMPEX INC. ASSUMES NO RESPONSIBILITY FOR PERSONAL INJURY OR PROPERTY DAMAGE SUSTAINED BY OR THROUGH THE USE OF THIS PRODUCT.**

**SAVE THESE INSTRUCTIONS.**

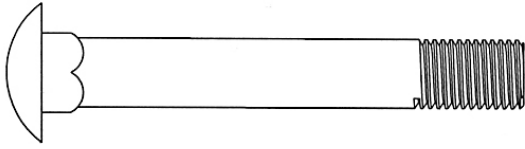
## WARNING LABEL PLACEMENT



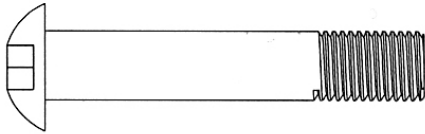
The Warning Label shown here has been placed on the base frame. If the label is missing or illegible, please call customer service at 1-800-999-8899 for replacement. Apply the label in location shown.

## HARDWARE PACK

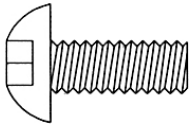
NOTE: The following parts are not drawn to scale. Please use your own ruler to measure the size.



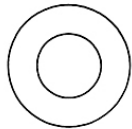
#10 M10 x 2  $\frac{3}{4}$ " Carriage Bolt (Qty 8)



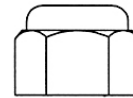
#11 M10 x 2  $\frac{1}{8}$ " Allen Bolt (Qty 4)



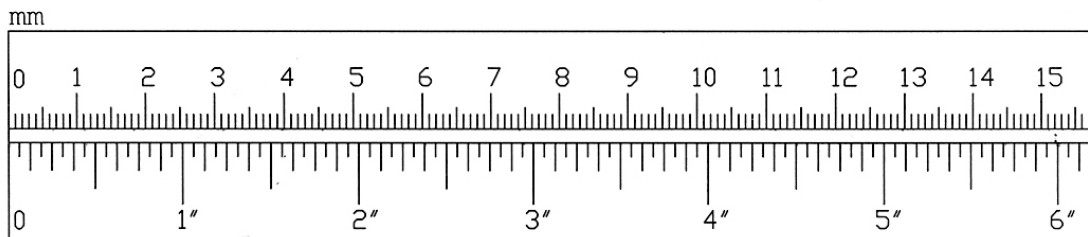
#12 M10 x  $\frac{3}{4}$ " Allen Bolt (Qty 12)



#13  $\text{\O} \frac{3}{4}$ " Washer  
(Qty 28)



#14 M10 Aircraft Nut  
(Qty 12)



## ASSEMBLY INSTRUCTION

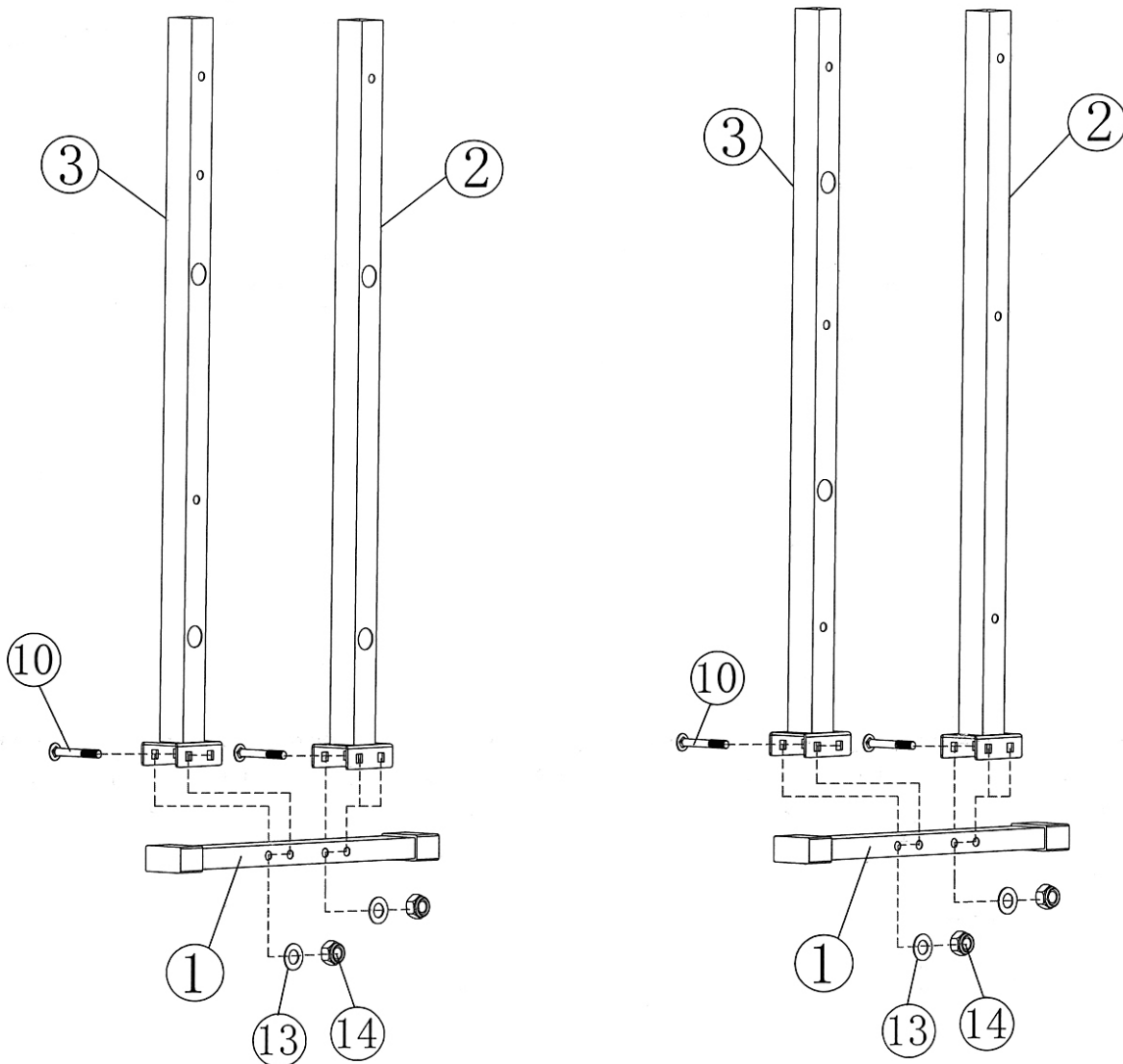
**Tools Required Assembling the Machine: Two Adjustable Wrenches**

**NOTE: It is strongly recommended this machine be assembled by two or more people to avoid possible injury.**

### STEP 1 (See Diagram 1)

- A.) Attach Left & Right Upright (#2 & #3) onto a Base Frame (#1).
- B.) Secure each Upright to the Base Frame with two M10 x 2 3/4" Carriage Bolts (#10), two  $\text{\O} \frac{3}{4}$ " Washers (#13), and two M10 Aircraft Nuts (#14). **Do not tighten the Nuts and Bolts yet.**
- C.) Repeat the above procedure (A) to install the other side.

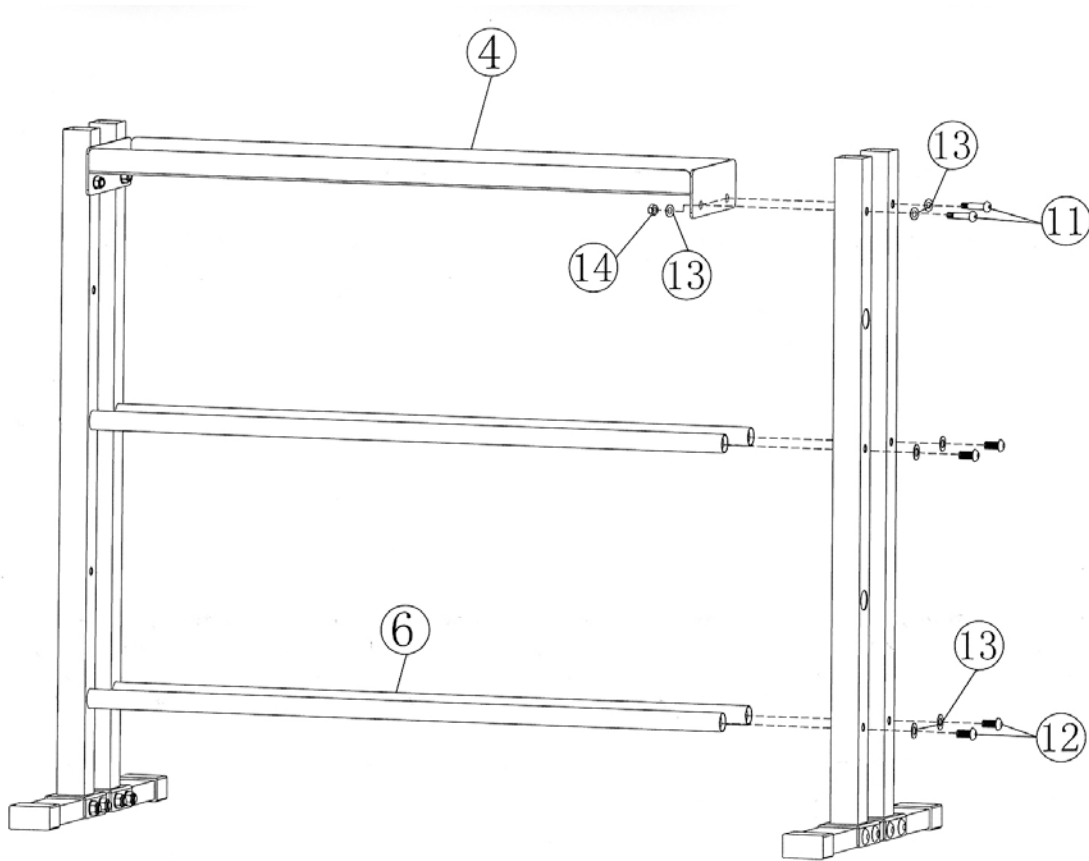
**DIAGRAM 1**



## STEP 2 (See Diagram 2)

- A.) Insert four Dumbbell Tubes (#6) into the holes on Left & Right Upright (#2 & #3). Secure each end of Tube with one M10 x 2 1/8" Allen Bolt (#11), two Ø 3/4" Washers (#13), and one M10 Aircraft Nut (#14). **Do not tighten the Nut and Bolt yet.**
- B.) Attach the Kettle Bell Rack (#4) to the two sets of Uprights.
- C.) Secure them together with four M10 x 2 1/8" Allen Bolts (#11), eight Ø 3/4" Washers, and four M10 Aircraft Nuts (#14).
- D.) **Securely tighten all Nuts and Bolts in Step-1 and 2.**

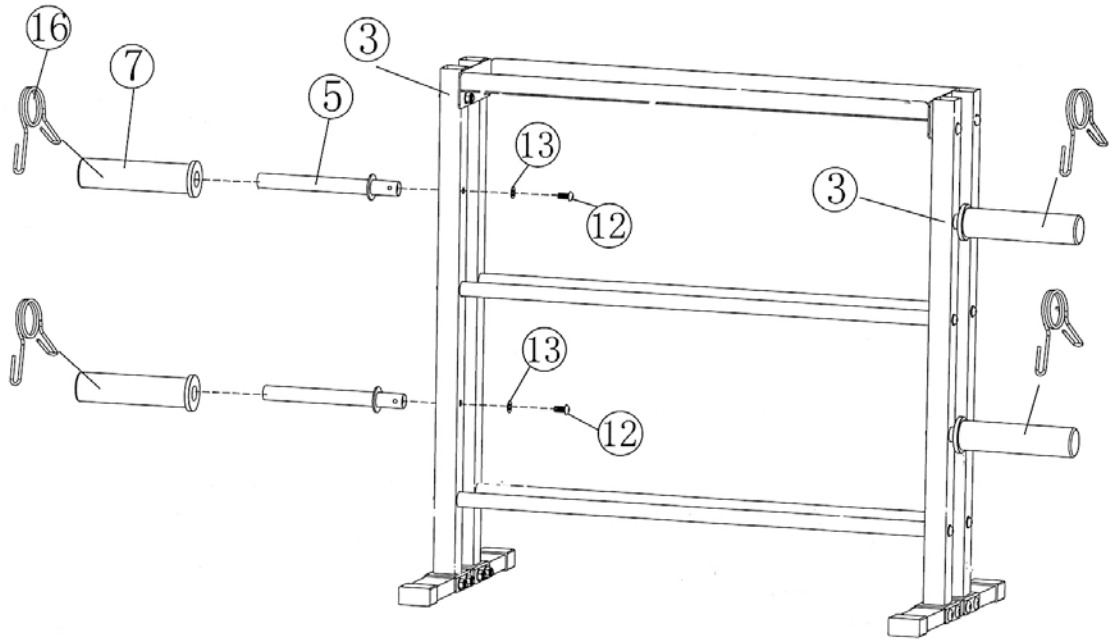
### DIAGRAM 2



### STEP 3 (See Diagram 3)

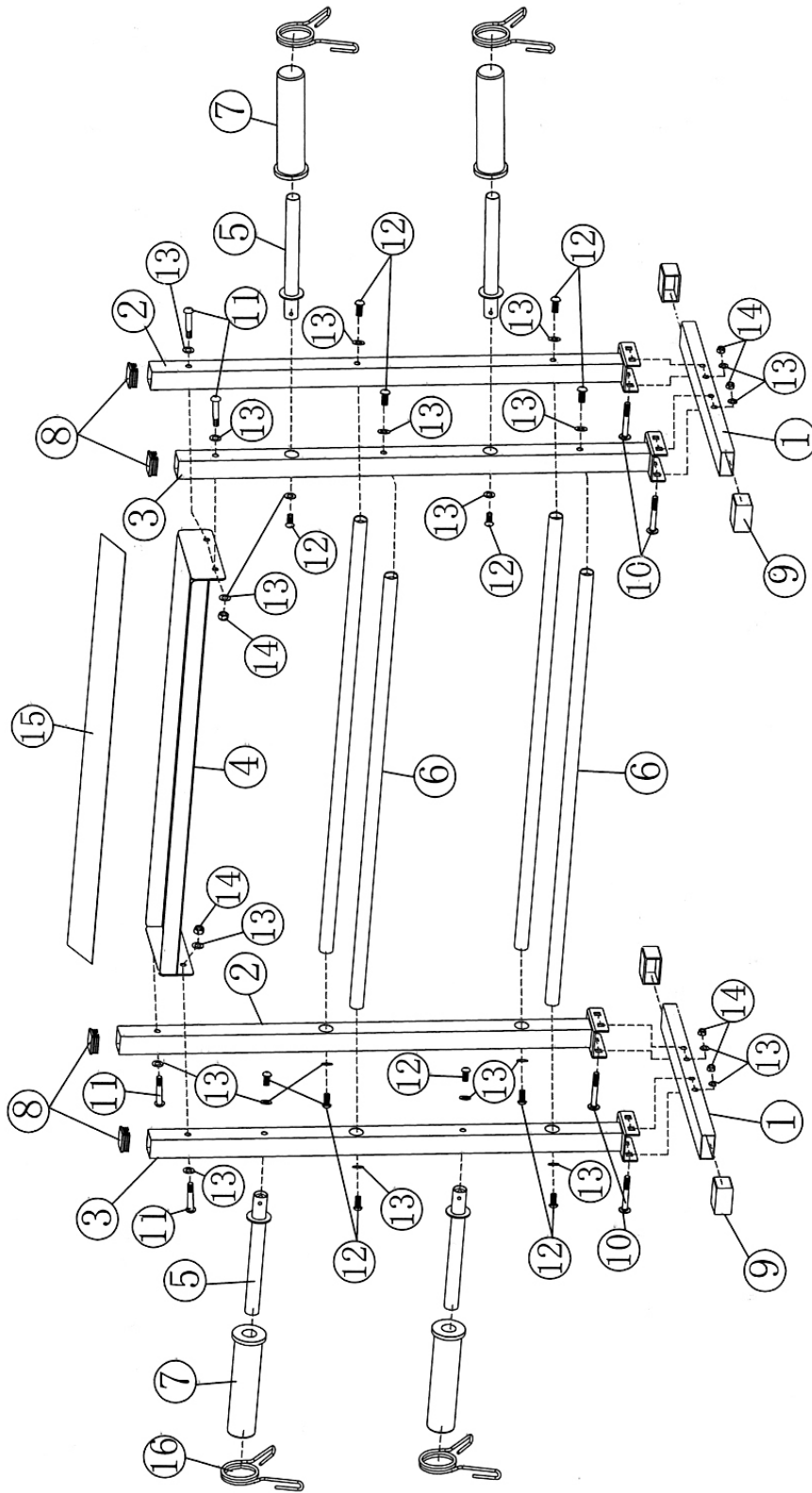
- A.) Insert four Weight Plate Posts (#5) into holes on the two Uprights.
- B.) Secure each Post with one M10 x 3/4" Allen Bolt (#12) and one Ø 3/4" Washer (#13).
- C.) Slide Olympic Sleeves (#7) onto the Posts to store Olympic Plates. Attach four Olympic Spring Clips (#16) onto the Olympic Sleeves.
- D.) Remove the Olympic Sleeve and Clip to store Standard Plates.

### DIAGRAM 3





# DBR-0117 EXPLODED DIAGRAM



**DBR-0117 PARTS LIST**

<b>PART NO.</b>	<b>DESCRIPTION</b>	<b>SIZE</b>	<b>QUANTITY</b>
1	Base Frame		2
2	Left Upright		2
3	Right Upright		2
4	Kettle Bell Rack		1
5	Weight Plate Post		4
6	Dumbbell Tube		4
7	Olympic Sleeve		4
8	End Cap	1 1/2" x 1 1/2"	4
9	End Cap	1" x 2"	4
10	Carriage Bolt	M10 x 2 3/4"	8
11	Allen Bolt	M10 x 2 1/8"	4
12	Allen Bolt	M10 x 3/4"	12
13	Washer	Ø 3/4"	28
14	Aircraft Nut	M10	12
15	PVC Panel		1
16	Olympic Spring Clip	Ø 2"	4
	Allen Wrench (Tool)	6#	1

# ***IMPEX INC.***

## **LIMITED WARRANTY**

IMPEX Inc. ("IMPEX") warrants this product to be free from defects in workmanship and material, under normal use and service conditions, for a period of two years on the Frame from the date of purchase. This warranty extends only to the original purchaser. IMPEX's obligation under this Warranty is limited to replacing or repairing, at IMPEX's option.

All returns must be pre-authorized by IMPEX. Pre-authorization may be obtained by calling IMPEX Customer Service Department at 1-800-999-8899. All freights on products returned to IMPEX must be prepaid by the customer. This warranty does not extend to any product or damage to a product caused by or attributable to freight damage, abuse, misuse, improper or abnormal usage or repairs not provided by an IMPEX authorized service center or for products used for commercial or rental purposes. No other warranty beyond that specifically set forth above is authorized by IMPEX.

IMPEX is not responsible or liable for indirect, special or consequential damages arising out of or in connection with the use or performance of the product or other damages with respect to any economic loss, loss of property, loss of revenues or profits, loss of enjoyments or use, costs of removal, installation or other consequential damages or whatsoever natures. Some states do not allow the exclusion or limitation of incidental or consequential damages. Accordingly, the above limitation may not apply to you.

The warranty extended hereunder is in lieu of any and all other warranties and any implied warranties of merchantability or fitness for a particular purpose is limited in its scope and duration to the terms set forth herein. Some states do not allow limitations on how long an implied warranty lasts. Accordingly, the above limitation may not apply to you.

This warranty gives you specific legal right. You may also have other rights which vary from state to state.

**IMPEX INC.  
2801 S. Towne Ave.  
Pomona, CA 91766**

### **ORDERING REPLACEMENT PARTS**

Replacement parts can be ordered by calling our Customer Service Department toll-free at **1-800-999-8899** during our regular business hours: Monday through Friday, 9 am until 5 pm Pacific standard time.

**[www.impex-fitness.com](http://www.impex-fitness.com)  
[support@impex-fitness.com](mailto:support@impex-fitness.com)**

When ordering replacement parts, always give the following information.

1. Model
2. Description of Parts
3. Part Number
4. Date of Purchase