

NOTE:  
Please read all instructions  
carefully before using this  
product

Safety Notice

Hardware Identifier

Assembly Instruction

Parts List

Warranty

Ordering Parts

Model  
DBR 94

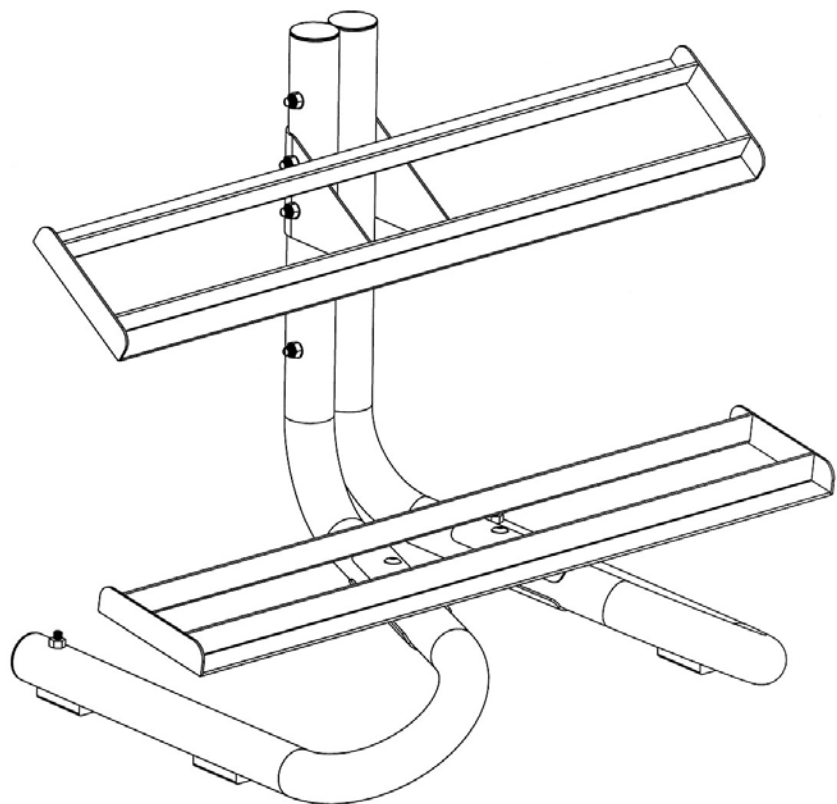
Retain This  
Manual for  
Reference

07-19-07

OWNER'S  
MANUAL

# IMPEX

## MARCY® Bi-Level Dumbbell Rack DBR 94



**IMPEX® INC.**

2801 S. Towne Ave, Pomona, CA 91766  
Tel: (800) 999-8899 Fax: (626) 961-9966

[www.impex-fitness.com](http://www.impex-fitness.com)  
[info@impex-fitness.com](mailto:info@impex-fitness.com)

---

## TABLE OF CONTENTS

BEFORE YOU BEGIN.....	1
IMPORTANT SAFETY NOTICES.....	2
HARDWARE PACK.....	4
ASSEMBLY INSTRUCTIONS.....	5
EXPLODED DIAGRAM.....	7
PARTS LIST.....	8
WARRANTY.....	9
ORDERING PARTS.....	9

---

## BEFORE YOU BEGIN

Thank you for selecting the MARCY Dumbbell Rack DBR-94 by IMPEX<sup>®</sup> INC. For your safety and benefit, read this manual carefully before using the machine. As a manufacturer, we are committed to provide you complete customer satisfaction. If you have any questions, or find there are missing or damaged parts, we guarantee you complete satisfaction through direct assistance from our factory. To avoid unnecessary delays, *please call our TOLL-FREE customer service number.* Our Customer Service Agents will provide immediate assistance to you.

**Toll-Free Customer Service Number**

**1-800-999-8899**

**Mon. - Fri. 9 a.m. - 5 p.m. PST**

**[www.impex-fitness.com](http://www.impex-fitness.com)**

**[info@impex-fitness.com](mailto:info@impex-fitness.com)**

# **IMPORTANT SAFETY NOTICE**

## **PRECAUTIONS**

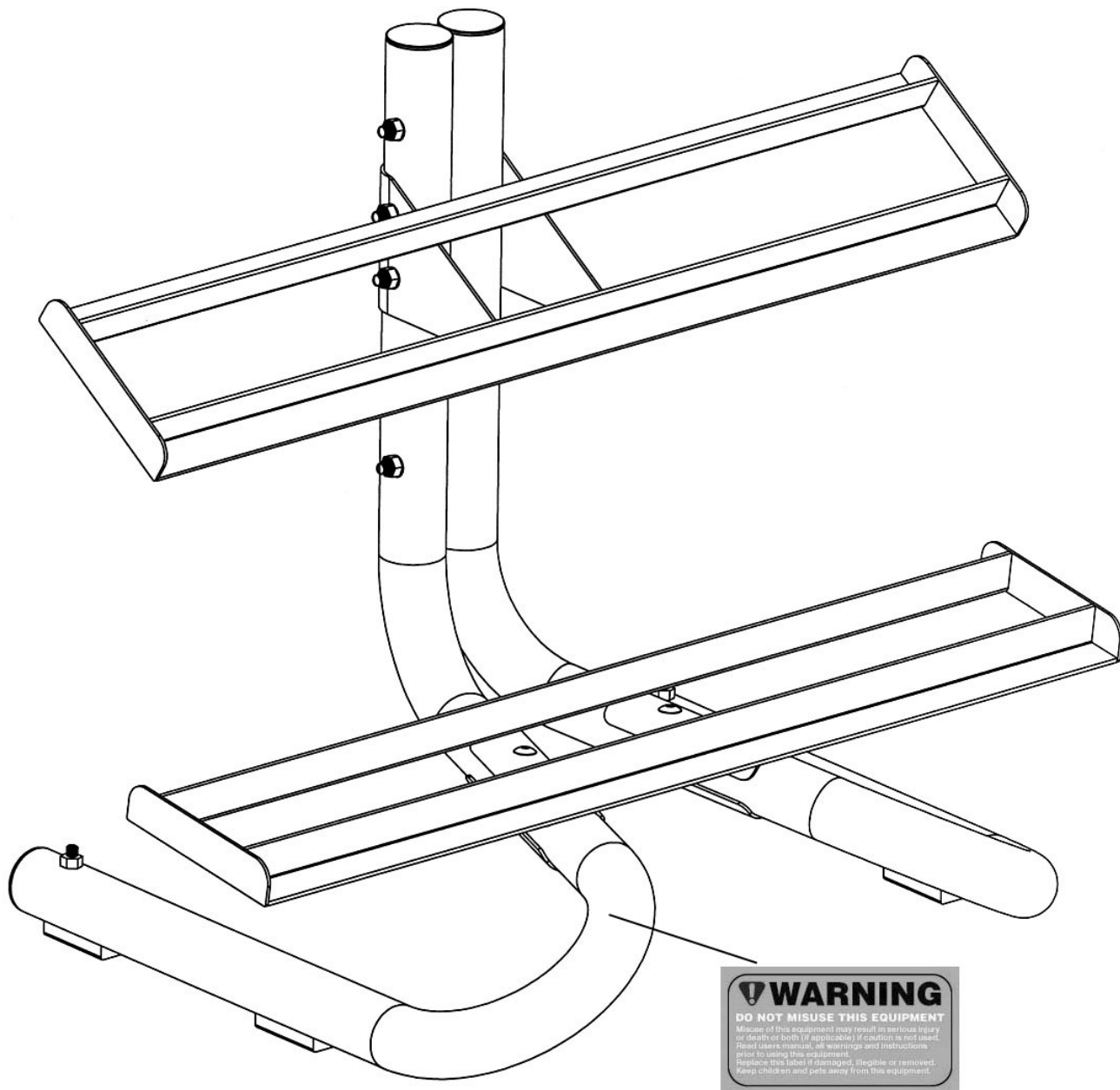
This exercise machine is built for optimum safety. However, certain precautions apply whenever you operate a piece of exercise equipment. Be sure to read the entire manual before you assemble or operate your machine. In particular, note the following safety precautions:

1. **Keep children and pets away from the machine at all times. DO NOT leave children unattended in the same room with the machine.**
2. Only one person at a time should be using the machine.
3. If the user experiences dizziness, nausea, chest pain, or any other abnormal symptoms, STOP the workout at once. CONSULT A PHYSICIAN IMMEDIATELY.
4. Position the machine on a clear, leveled surface. DO NOT use the machine near water or outdoors.
5. Keep hands away from all moving parts.
6. Always wear appropriate workout clothing when exercising. DO NOT wear robes or other clothing that could become caught in the machine. Running or aerobic shoes are also required when using the machine.
7. Use the machine only for its intended use as described in this manual. DO NOT use attachments not recommended by the manufacturer.
8. Do not place any sharp object around the machine.
9. Disabled person should not use the machine without a qualified person or physician in attendance.
10. Before using the machine to exercise, always do stretching exercises to properly warm up.
11. Never operate the machine if the machine is not functioning properly.
12. Maximum weight capacity for the rack: 400 lbs.

**WARNING: BEFORE BEGINNING ANY EXERCISE PROGRAM, CONSULT YOUR PHYSICIAN. THIS IS ESPECIALLY IMPORTANT FOR INDIVIDUALS OVER THE AGE OF 35 OR PERSONS WITH PRE-EXISTING HEALTH PROBLEMS. READ ALL INSTRUCTIONS BEFORE USING ANY FITNESS EQUIPMENT. IMPEX INC. ASSUMES NO RESPONSIBILITY FOR PERSONAL INJURY OR PROPERTY DAMAGE SUSTAINED BY OR THROUGH THE USE OF THIS PRODUCT.**

**SAVE THESE INSTRUCTIONS.**

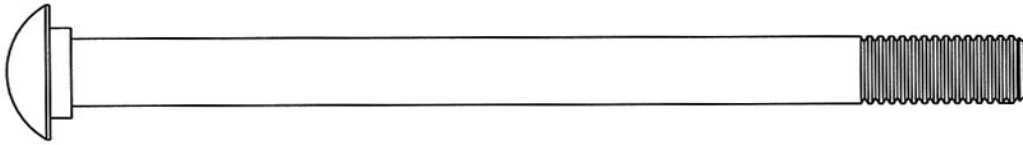
## WARNING LABEL REPLACEMENT



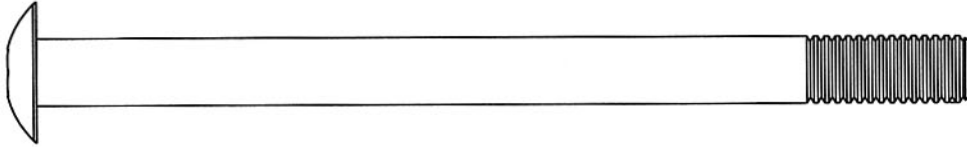
The Warning Label shown here has been placed on the Stabilizer. If the label is missing or illegible, please call customer service at 1-800-999-8899 for replacement. Apply the label in location shown.

## HARDWARE PACK

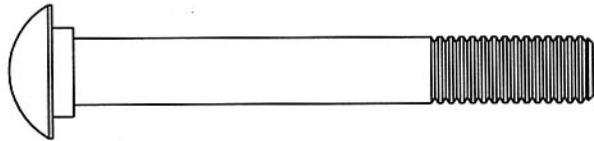
NOTE: The following parts are not drawn to scale. Please use your own ruler to measure the size.



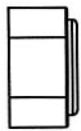
#11 M10 x 5  $\frac{3}{8}$ " Carriage Bolt (Qty 2)



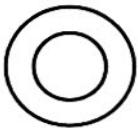
#9 M10 x 5  $\frac{1}{8}$ " Allen Bolt (Qty 2)



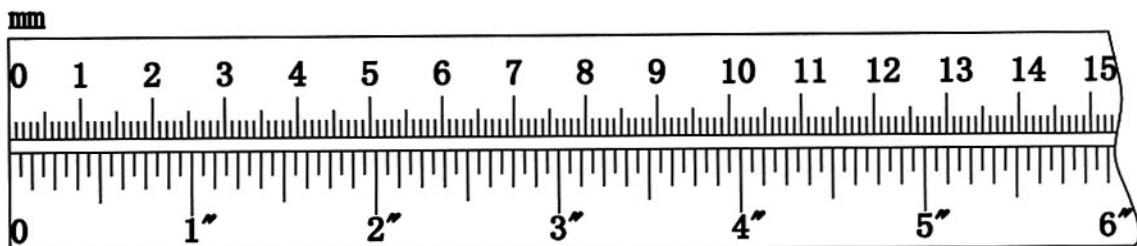
#12 M10 x 3" Carriage Bolt (Qty 4)



#13 M10 Aircraft Nut (Qty 8)



#14  $\varnothing$   $\frac{3}{4}$ " Washer (Qty 10)



# ASSEMBLY INSTRUCTION

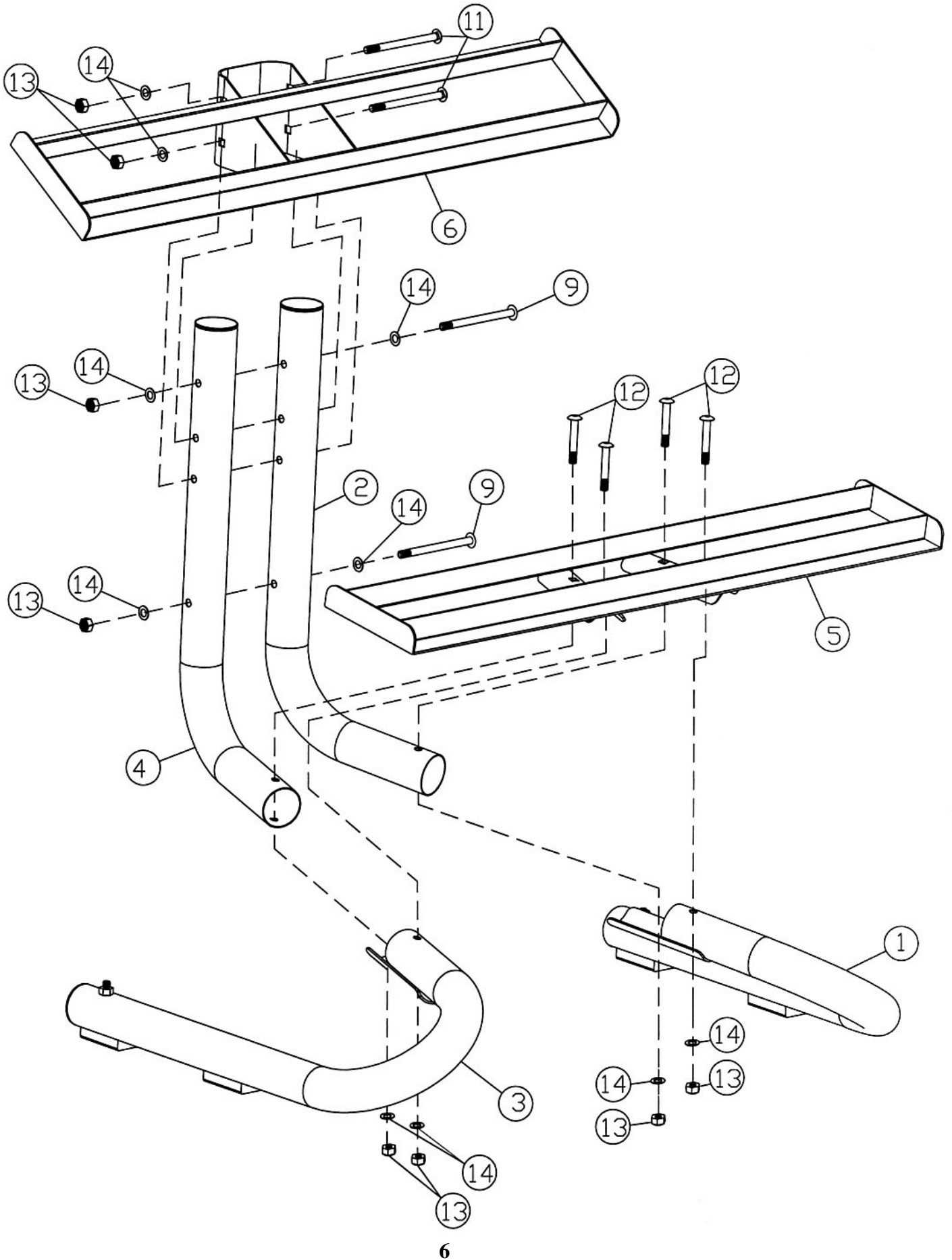
**Tools Required Assembling the Machine: One Adjustable Wrench and Allen Wrench.**

**NOTE: It is strongly recommended this machine be assembled by two or more people to avoid possible injury.**

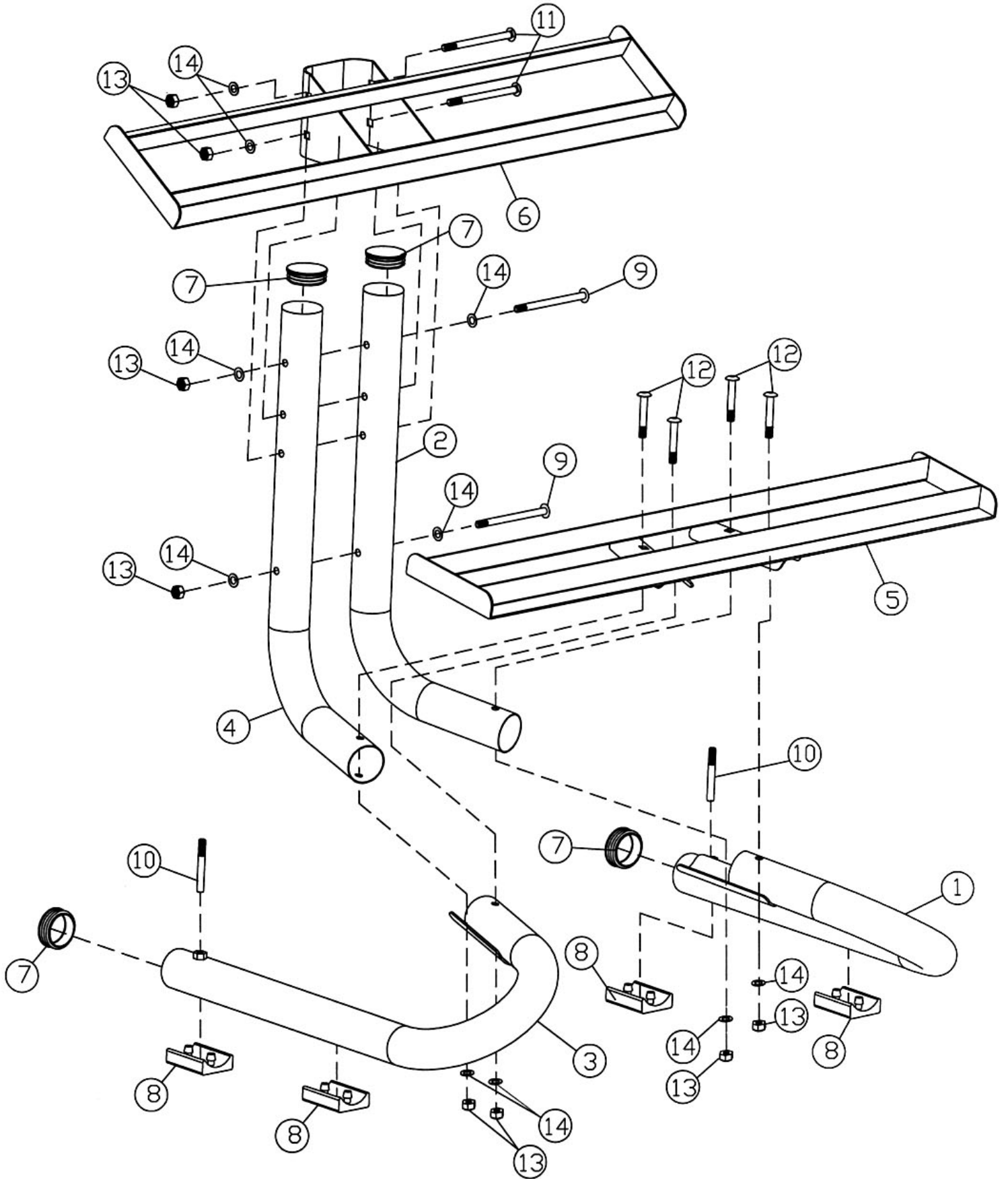
## **STEP 1 (See Diagram 1)**

- A.) Attach the Left Stabilizer (#3) to the Left Upright Beam (#4). Attach the Right Stabilizer (#1) to the Right Upright Beam (#2). Place the Lower Dumbbell Rack (#5) onto the two Stabilizers and Upright Beams. Align the holes and secure them with four M10 x 3" Carriage Bolts (#12),  $\varnothing \frac{3}{4}$ " Washers (#14), and M10 Aircraft Nuts (#13). Do not tighten all the Nuts and Bolts yet.
- B.) Slide the Upper Dumbbell Rack (#6) onto both Upright Beams. Align the holes on the bracket to the two middle holes on the Upright Beams. Secure them together with two M10 x 5 3/8" Carriage Bolts (#11),  $\varnothing \frac{3}{4}$ " Washers (#14), and M10 Aircraft Nuts (#13). Do not tighten all the Nuts and Bolts yet.
- C.) Secure the two Upright Beams with two M10 x 5 1/8" Allen Bolts (#9), four  $\varnothing \frac{3}{4}$ " Washers (#14), and two M10 Aircraft Nuts (#13) to the top and lower holes on the Upright Beams. Securely tighten all Nuts and Bolts installed.
- D.) Set the rack on a flat surface. If the rack is un-even on the floor, use the two M10 x 3 1/8" Allen Bolts (#10) located on the bases to adjust the height of the rack. Turn the Bolt clockwise to rack up the rack and turn the bolt counter-clockwise to lower the rack.

DIAGRAM 1



# EXPLODED DIAGRAM





## Parts list

KEY NO.	DESCRIPTION	Q'ty
1	Right Stabilizer	1
2	Right Upright Beam	1
3	Left Stabilizer	1
4	Left Upright Beam	1
5	Lower Dumbbell Rack	1
6	Upper Dumbbell Rack	1
7	End Cap	4
8	Rubber Bumper	4
9	M10 x 5 1/8" Allen Bolt	2
10	M10 x 3 1/8" Allen Bolt	2
11	M10 x 5 3/8" Carriage Bolt	2
12	M10 x 3" Carriage Bolt	4
13	M10 Aircraft Nut	8
14	Ø 3/4" Washer	10

# **IMPEX<sup>®</sup> INC.**

## **LIMITED WARRANTY**

IMPEX Inc. ("IMPEX<sup>®</sup>") warrants this product to be free from defects in workmanship and material, under normal use and service conditions, for a period of two years on the Frame from the date of purchase. This warranty extends only to the original purchaser. IMPEX's obligation under this Warranty is limited to replacing or repairing, at IMPEX's option.

All returns must be pre-authorized by IMPEX. Pre-authorization may be obtained by calling IMPEX Customer Service Department at 1-800-999-8899. All freights on products returned to IMPEX must be prepaid by the customer. This warranty does not extend to any product or damage to a product caused by or attributable to freight damage, abuse, misuse, improper or abnormal usage or repairs not provided by an IMPEX authorized service center or for products used for commercial or rental purposes. No other warranty beyond that specifically set forth above is authorized by IMPEX.

IMPEX is not responsible or liable for indirect, special or consequential damages arising out of or in connection with the use or performance of the product or other damages with respect to any economic loss, loss of property, loss of revenues or profits, loss of enjoyments or use, costs of removal, installation or other consequential damages or whatsoever natures. Some states do not allow the exclusion or limitation of incidental or consequential damages. Accordingly, the above limitation may not apply to you.

The warranty extended hereunder is in lieu of any and all other warranties and any implied warranties of merchantability or fitness for a particular purpose is limited in its scope and duration to the terms set forth herein. Some states do not allow limitations on how long an implied warranty lasts. Accordingly, the above limitation may not apply to you.

This warranty gives you specific legal right. You may also have other rights which vary from state to state. **Register on-line at [www.impex-fitness.com](http://www.impex-fitness.com)**

**IMPEX<sup>®</sup> INC.  
2801 S. Towne Ave.  
Pomona, CA 91766**

### **ORDERING REPLACEMENT PARTS**

Replacement parts can be ordered by calling our Customer Service Department toll-free at **1-800-999-8899** during our regular business hours: Monday through Friday, 9 am until 5 pm Pacific standard time. **[info@impex-fitness.com](mailto:info@impex-fitness.com)**

When ordering replacement parts, always give the following information.

1. Model
2. Description of Parts
3. Part Number
4. Date of Purchase