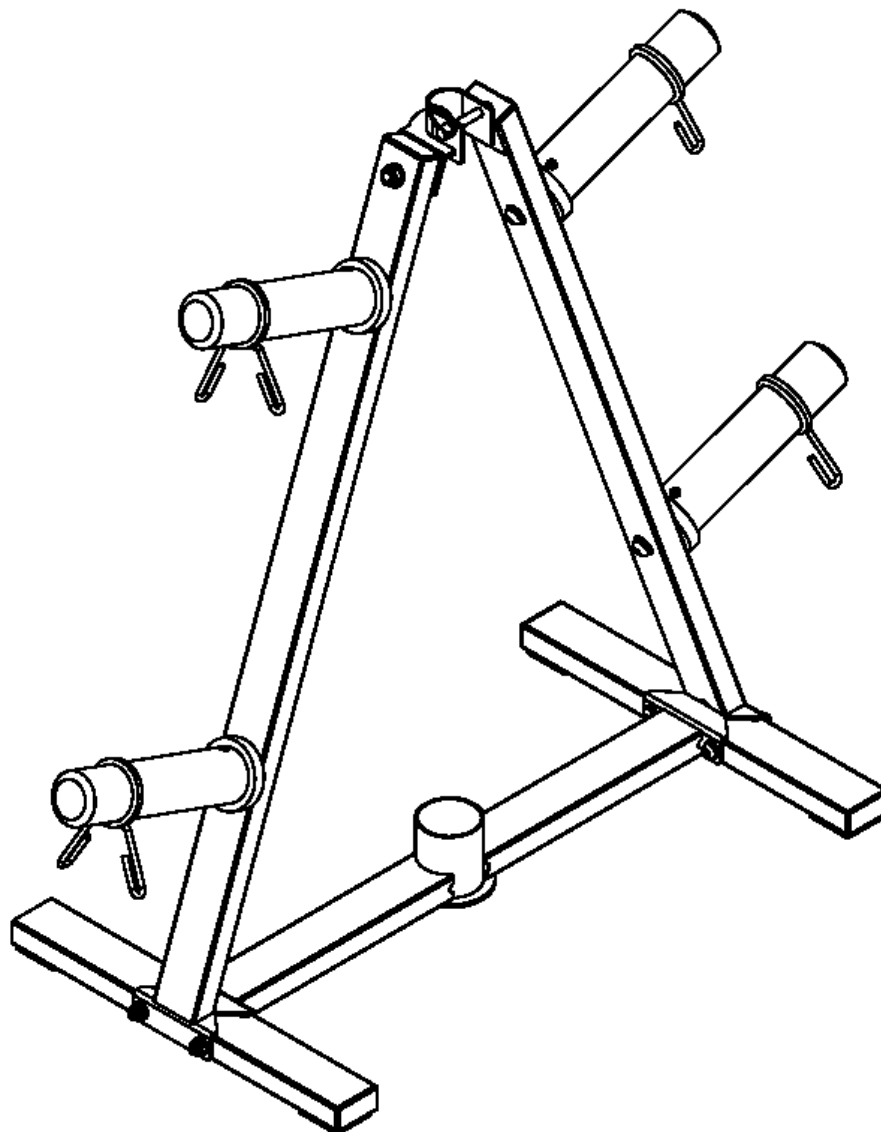


# MARCY<sup>®</sup>

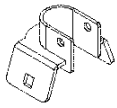
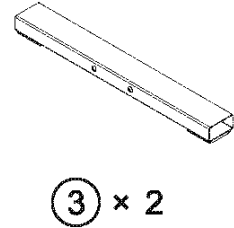
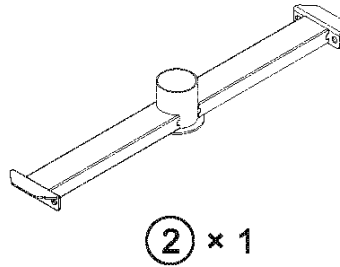
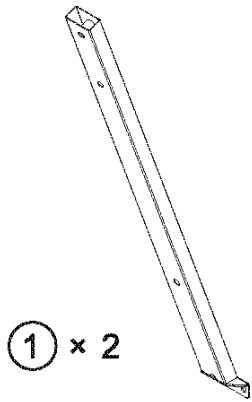
## OLYMPIC PLATE TREE STORAGE RACK PT-5740



**IMPORTANT:** Please read the Important Safety Notice and Assembly Information in the Owner's manual before assembling this product.

**Assembly Manual**

180702



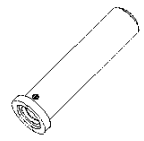
④ × 1



⑤ × 4



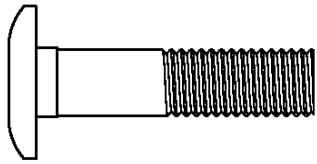
⑥ × 1



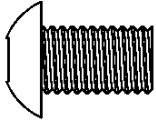
⑦ × 4



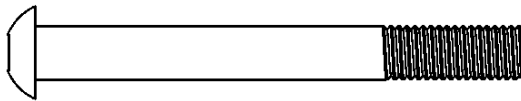
⑧ × 4



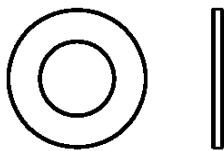
①① × 2



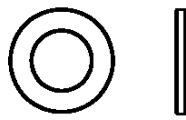
①② × 4



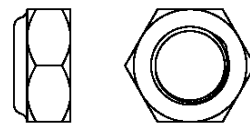
①③ × 4



①④ × 6



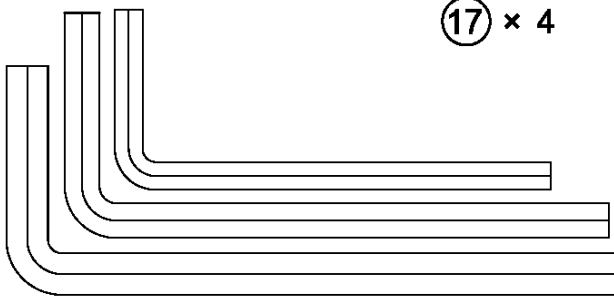
①⑤ × 8



①⑥ × 2



①⑦ × 4

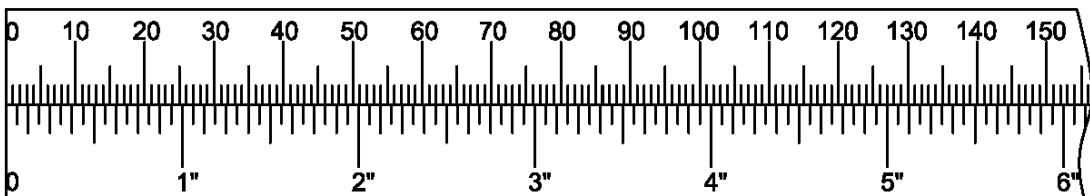


4# × 1

5# × 1

6# × 1

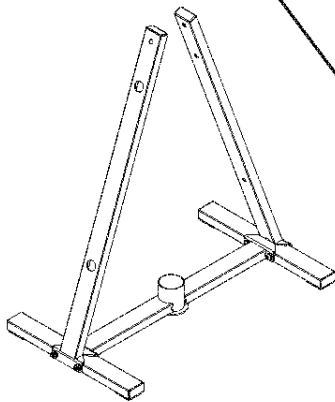
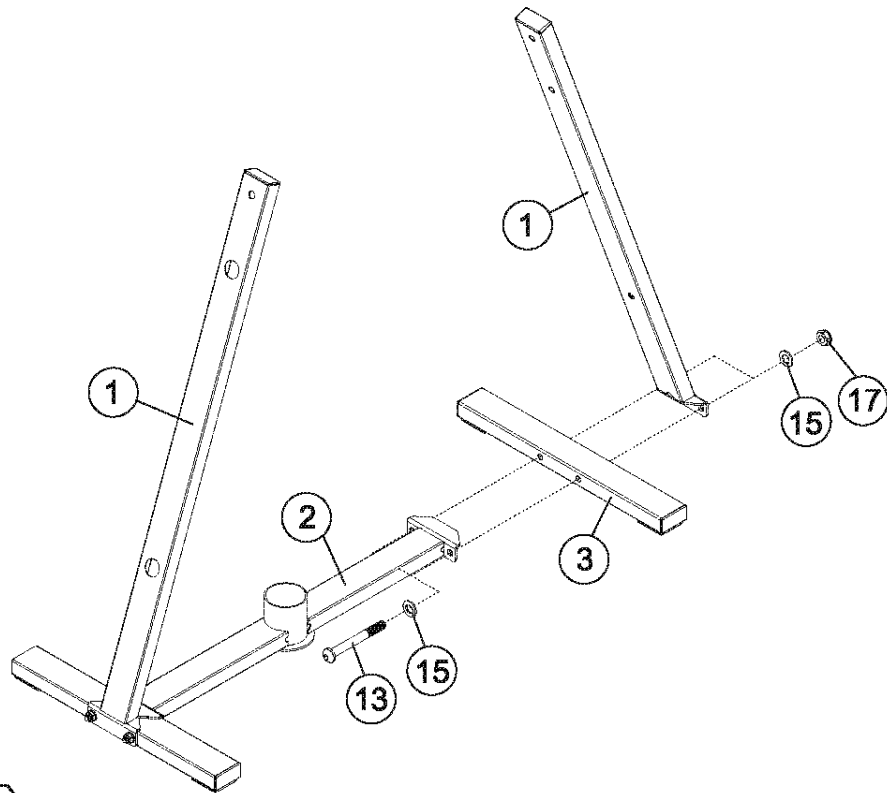
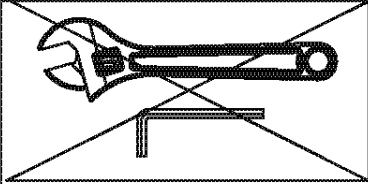
mm



13  x4 M8x2 $\frac{3}{4}$ "

15  x8  $\Phi\frac{5}{8}$ "

17  x4 M8

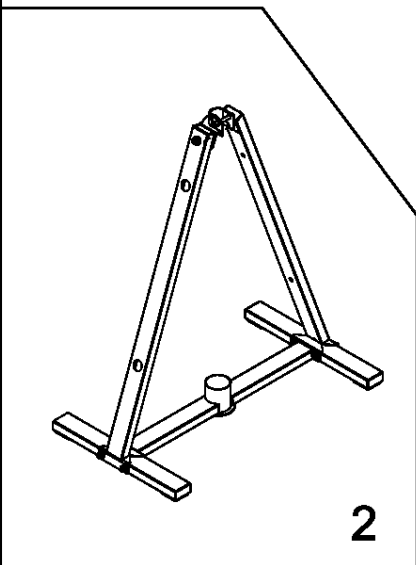
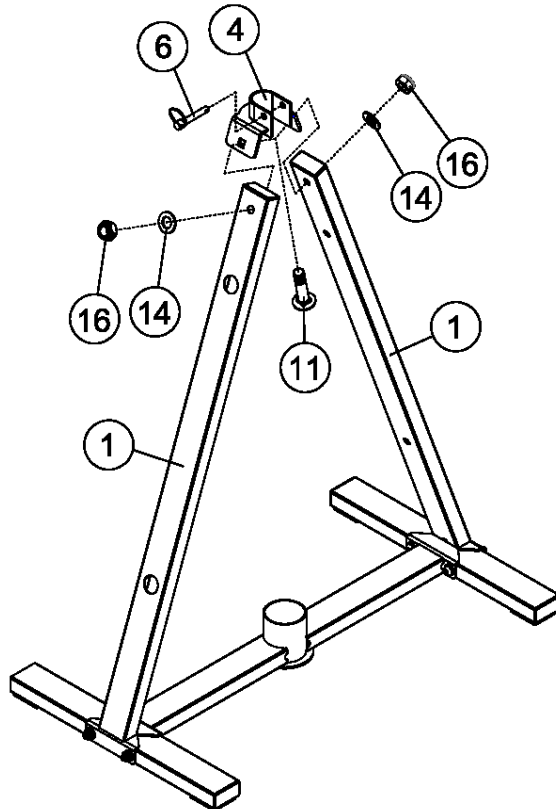
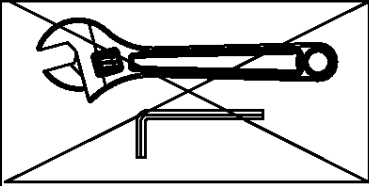


1

①①  ×2 M10×1 $\frac{5}{8}$ "

①④  ×2  $\Phi\frac{3}{4}$ "

①⑥  ×2 M10



12

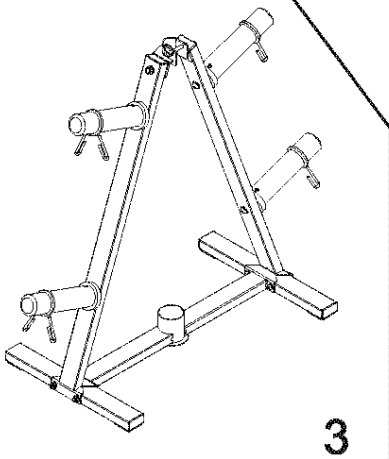
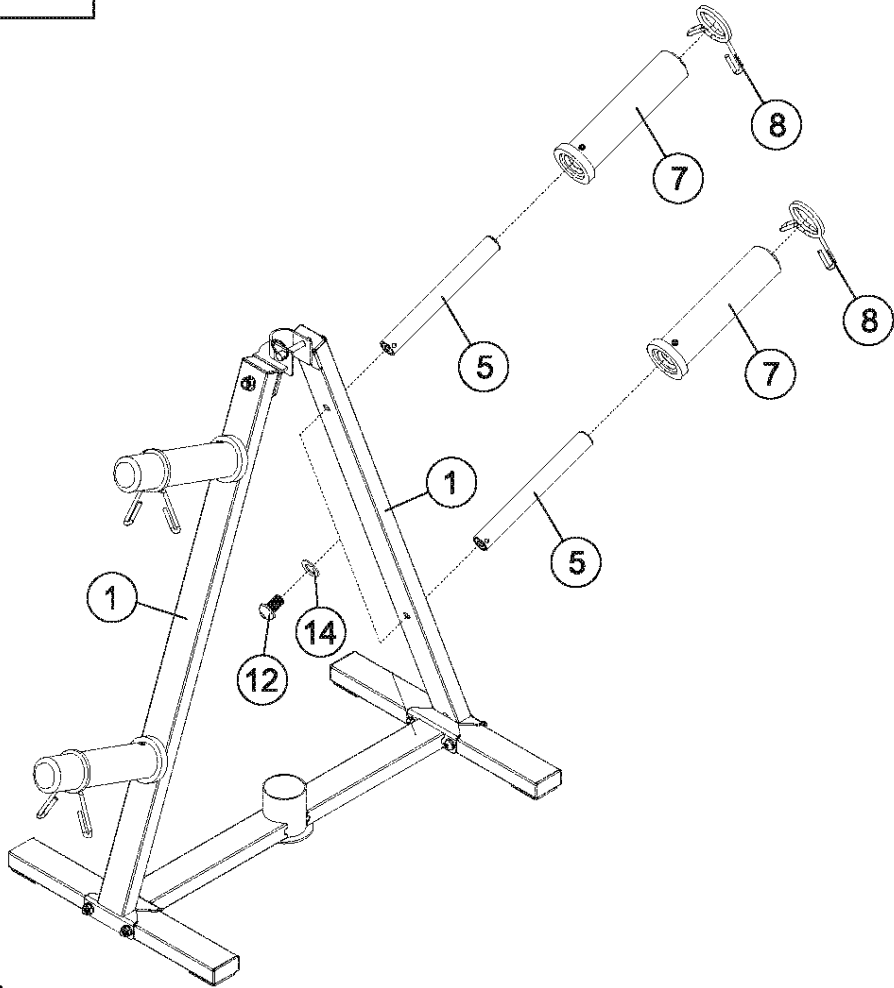
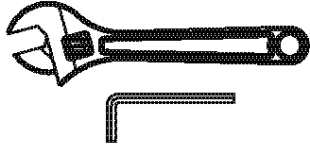


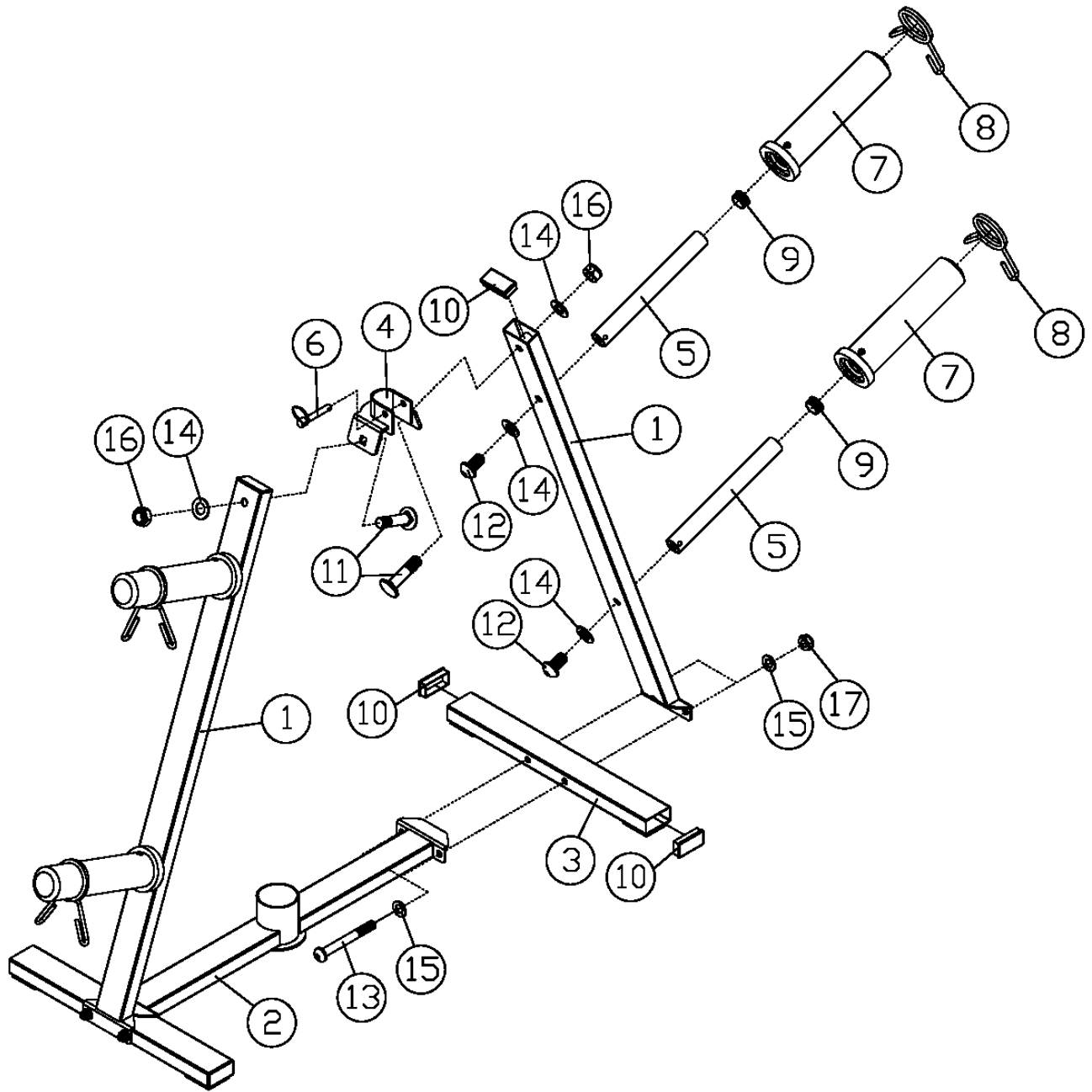
x4 M10x5/8"

14



x4  $\Phi 3/4"$





**IMPEX® INC.**

2801 South Towne Avenue, Pomona, California 91766

Tel: (800) 999-8899 Fax: (626) 961-9966

[www.marcypro.com](http://www.marcypro.com)

[support@impex-fitness.com](mailto:support@impex-fitness.com)