

NOTE:  
Please read all instructions  
carefully before using this  
product

Safety Notice

Hardware Identifier

Assembly Instruction

Parts List

Warranty

Ordering Parts

Model  
PT 60

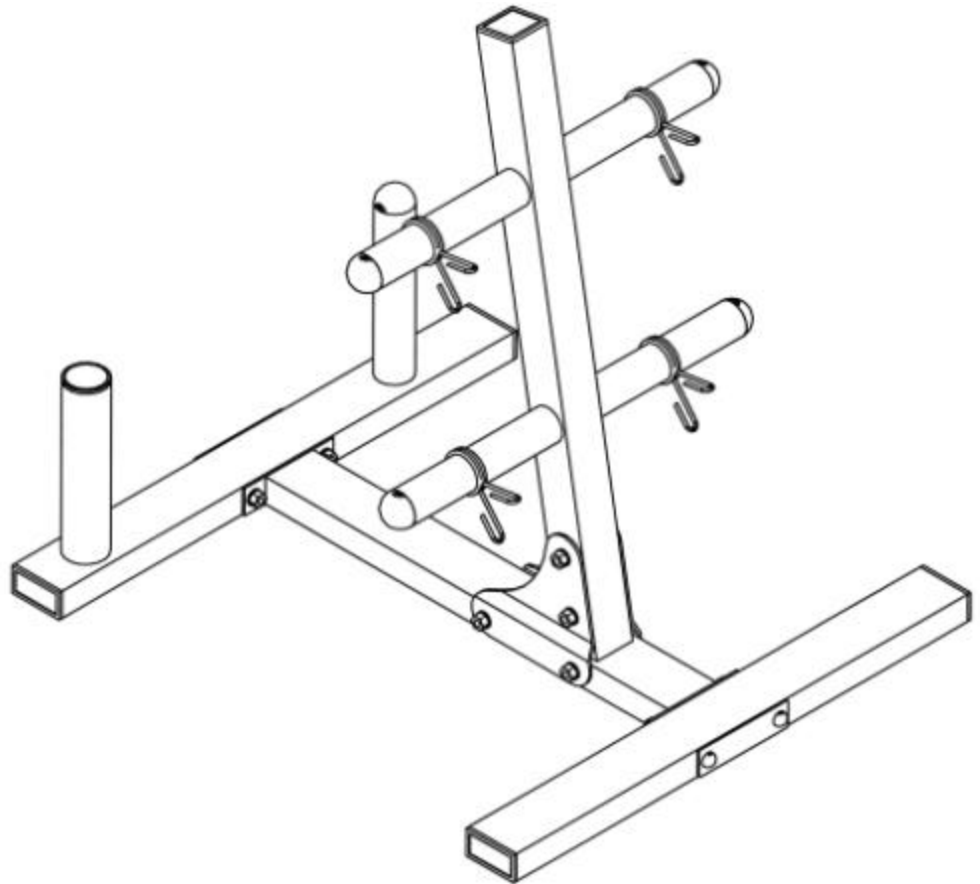
Retain This  
Manual for  
Reference

06-01-01

OWNER'S  
MANUAL

**IMPEX**  
FITNESS PRODUCTS

## PLATE TREE MARCY PT 60



### IMPEX FITNESS PRODUCTS

14777 DON JULIAN RD., CITY OF INDUSTRY, CA 91746

Tel: (800) 999-8899 Fax: (626) 961-9966

[www.impex-fitness.com](http://www.impex-fitness.com)

[info@impex-fitness.com](mailto:info@impex-fitness.com)

---

## TABLE OF CONTENTS

BEFORE YOU BEGIN.....	1
IMPORTANT SAFETY NOTICES.....	2
HARDWARE IDENTIFIER.....	3
ASSEMBLY INSTRUCTIONS.....	4
EXPLODED DIAGRAM.....	6
PARTS LIST.....	7
WARRANTY.....	8
ORDERING PARTS.....	8

---

## BEFORE YOU BEGIN

Thank you for selecting the MARCY PT 60 Plate Tree by IMPEX FITNESS PRODUCTS. For your safety and benefit, read this manual carefully before using the machine. As a manufacturer, we are committed to provide you complete customer satisfaction. If you have any questions, or find there are missing or damaged parts, we guarantee you complete satisfaction through direct assistance from our factory. To avoid unnecessary delays, *please call our TOLL-FREE customer service number*. Our Customer Service Agents will provide immediate assistance to you.

Toll-Free Customer Service Number

1-800-999-8899

Mon. – Fri. 9 a.m. – 5 p.m. PST

[www.impex-fitness.com](http://www.impex-fitness.com)

[info@impex-fitness.com](mailto:info@impex-fitness.com)

# **IMPORTANT SAFETY NOTICE**

## **PRECAUTIONS**

This exercise machine is built for optimum safety. However, certain precautions apply whenever you operate a piece of exercise equipment. Be sure to read the entire manual before you assemble or operate your machine. In particular, note the following safety precautions:

1. **Keep children and pets away from the machine at all times. DO NOT leave children unattended in the same room with the machine.**
2. Only one person at a time should use the machine.
3. If the user experiences dizziness, nausea, chest pain, or any other abnormal symptoms, STOP the workout at once. CONSULT A PHYSICIAN IMMEDIATELY.
4. Position the machine on a clear, leveled surface. DO NOT use the machine near water or outdoors.
5. Keep hands away from all moving parts.
6. Always wear appropriate workout clothing when exercising. DO NOT wear robes or other clothing that could become caught in the machine. Running or aerobic shoes are also required when using the machine.
7. Use the machine only for its intended use as described in this manual. DO NOT use attachments not recommended by the manufacturer.
8. Do not place any sharp object around the machine.
9. Disabled person should not use the machine without a qualified person or physician in attendance.
10. Before using the machine to exercise, always do stretching exercises to properly warm up.
11. Never operate the machine if the machine is not functioning properly.

**WARNING: BEFORE BEGINNING ANY EXERCISE PROGRAM, CONSULT YOUR PHYSICIAN. THIS IS ESPECIALLY IMPORTANT FOR INDIVIDUALS OVER THE AGE OF 35 OR PERSONS WITH PRE-EXISTING HEALTH PROBLEMS. READ ALL INSTRUCTIONS BEFORE USING ANY FITNESS EQUIPMENT. IMPEX INC. ASSUMES NO RESPONSIBILITY FOR PERSONAL INJURY OR PROPERTY DAMAGE SUSTAINED BY OR THROUGH THE USE OF THIS PRODUCT.**

**SAVE THESE INSTRUCTIONS.**

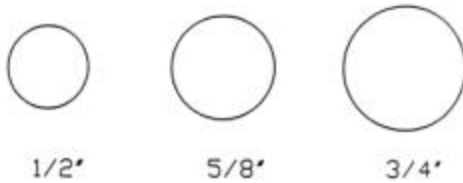
# HARDWARE IDENTIFIER

PLACE WASHER, END OF BOLT, OR SCREW ON CIRCLE TO CHECK FOR CORRECT SIZE.

## MILLIMETERS



## INCHES



## REPLACEMENT PARTS

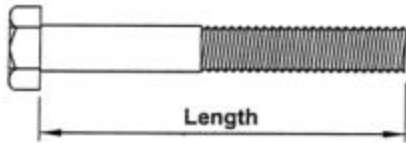
Thank you for purchasing IMPEX product. Although we go to great effort to ensure the quality of our products, Occasionally errors or omissions occur. Should you find either a defective or missing part in this product, Please contact us for a replacement at the telephone number.

QUESTION ?

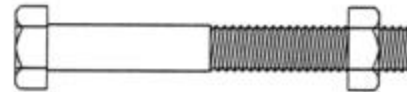


**1-800-999-8899**

**NOTE:** When installing a Aircraft Nut (also called Nylon or Lock Nut), Please use two adjustable wrenches to tighten down the Nut. Hold down the Bolt with one wrench, and use the other wrench to turn the Nut clockwise.



HEX HEAD BOLT



HEX SOCKET AXLE



CARRIAGE BOLT



HEX SOCKET SCREW



ALLEN BOLT



FLAT WASHER



AIRCRAFT NUT

# ASSEMBLY INSTRUCTION

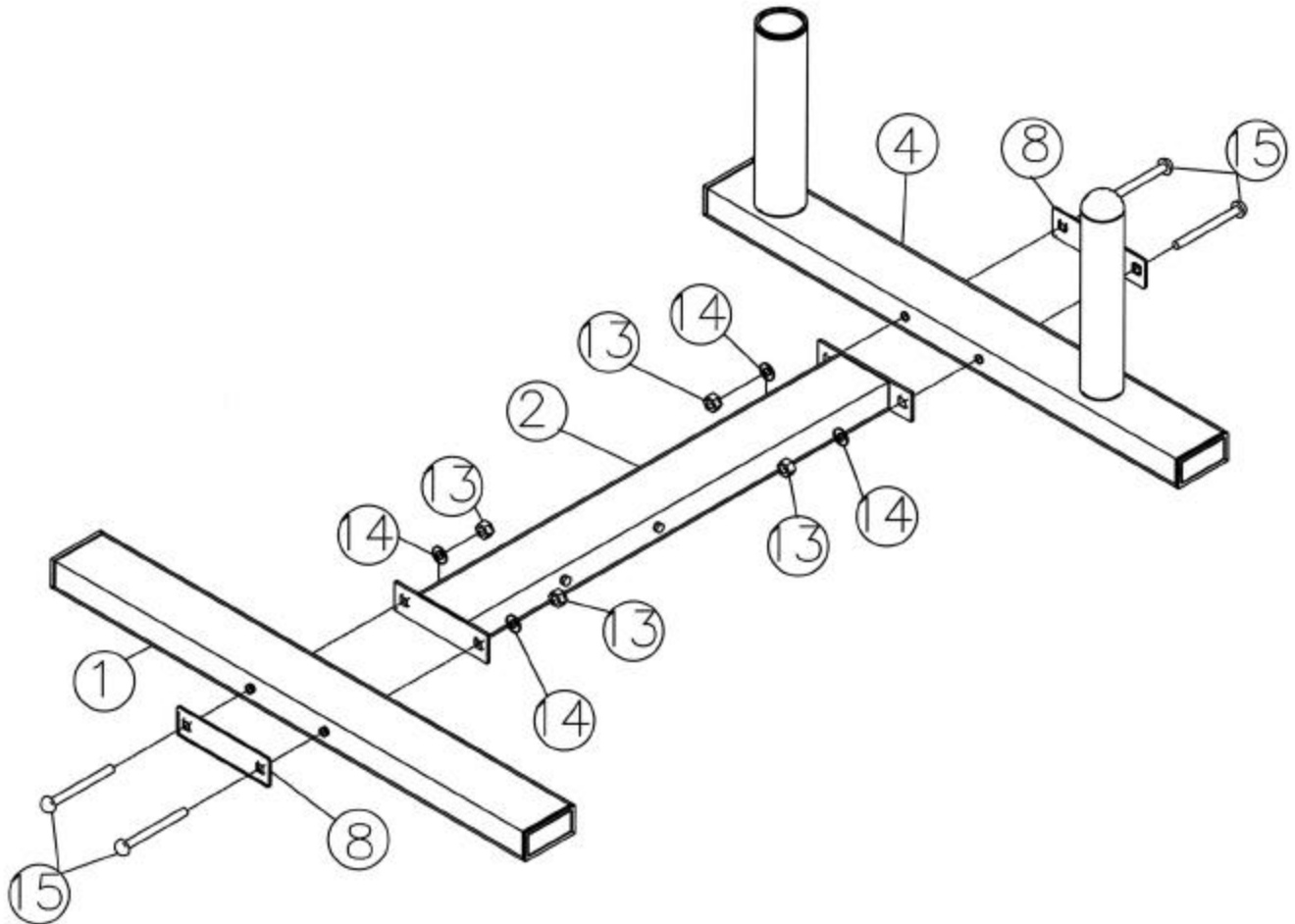
**Tools Required to Assemble the Machine: Two Adjustable Wrenches**

**NOTE:** It is strongly recommended this machine be assembled by two or more people to avoid possible injury.

## STEP 1 (See Diagram 1)

- A.) Connect the Front Stabilizer (#1) to the Base Frame (#2). Secure it with a Stabilizer Bracket (#8), two M10 x 4" Carriage Bolts (#15),  $\varnothing$  7/8" Washers (#14), and M10 Aircraft Nuts (#13).
- B.) Connect the Rear Stabilizer (#4) to the Base Frame (#2). Secure it with a Stabilizer Bracket (#8), two M10 x 4" Carriage Bolts (#15),  $\varnothing$  7/8" Washers (#14), and M10 Aircraft Nuts (#13).

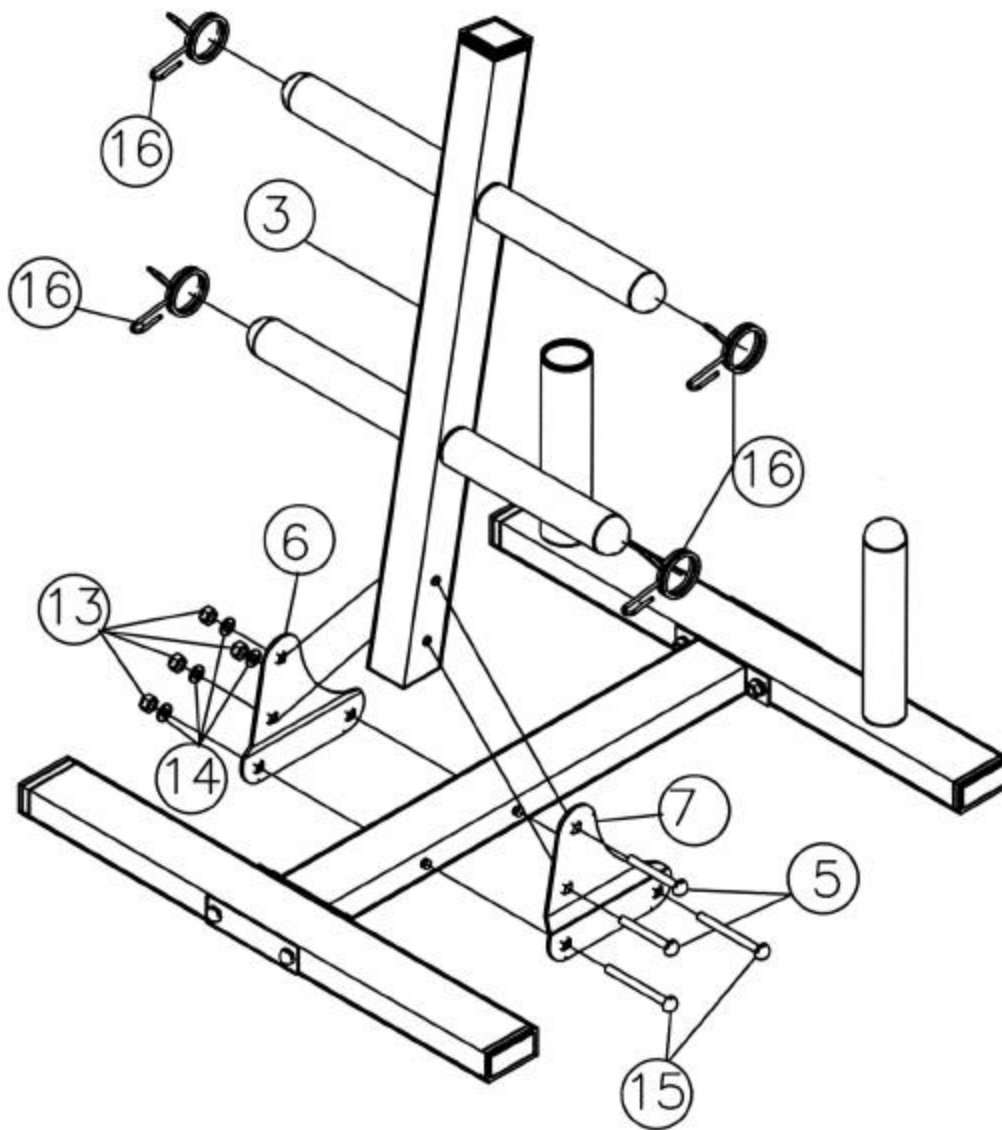
**DIAGRAM 1**



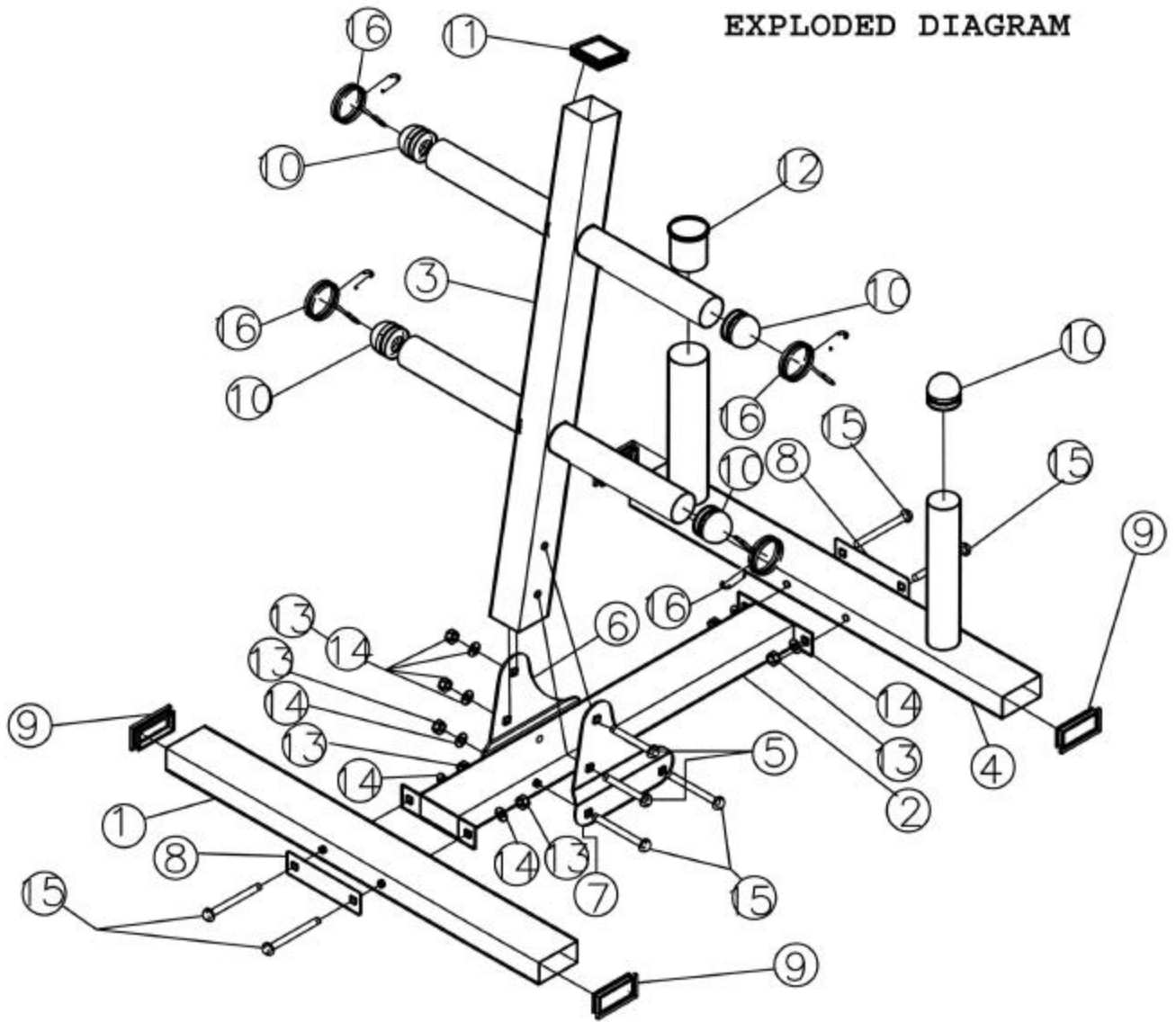
**STEP 2 (See Diagram 2)**

- A.) Connect the Vertical Frame (#3) to the Base Frame (#2) with the Right Bracket (#6) and Left Bracket (#7). Align the holes, insert two M10 x 4" Carriage Bolts (#15) in the lower two holes, and two M10 3 1/8" Carriage Bolts (#5) in the upper two holes. Secure the bolts with four  $\varnothing$  7/8" Washers (#14) and M10 Aircraft Nuts (#13).
- B.) Attach the Spring Clips (#16) to each one of the four plate holders on the Vertical Frame (#3).

**DIAGRAM 2**



EXPLODED DIAGRAM



## Parts list

KEY NO.	DESCRIPTION	Q'ty
1	Front Stabilizer	1
2	Base Frame	1
3	Vertical Frame	1
4	Rear Stabilizer	1
5	M10 x 3 1/8" Carriage Bolt	2
6	Right Bracket	1
7	Left Bracket	1
8	Stabilizer Bracket	2
9	Stabilizer End Cap	4
10	Ø 2" Round End Cap	5
11	Vertical Frame End Cap	1
12	Bushing	1
13	M10 Aircraft Nut	8
14	Ø 7/8" Washer	8
15	M10 x 4" Carriage Bolt	6
16	Spring Clip	4



# ***IMPEX INC.***

## **LIMITED WARRANTY**

IMPEX Inc. ("IMPEX") warrants this product to be free from defects in workmanship and material, under normal use and service conditions, for a period of two years on the Frame from the date of purchase. This warranty extends only to the original purchaser. IMPEX's obligation under this Warranty is limited to replacing or repairing, at IMPEX's option.

All returns must be pre-authorized by IMPEX. Pre-authorization may be obtained by calling IMPEX Customer Service Department at 1-800-999-8899. All freights on products returned to IMPEX must be prepaid by the customer. This warranty does not extend to any product or damage to a product caused by or attributable to freight damage, abuse, misuse, improper or abnormal usage or repairs not provided by an IMPEX authorized service center or for products used for commercial or rental purposes. No other warranty beyond that specifically set forth above is authorized by IMPEX.

IMPEX is not responsible or liable for indirect, special or consequential damages arising out of or in connection with the use or performance of the product or other damages with respect to any economic loss, loss of property, loss of revenues or profits, loss of enjoyments or use, costs of removal, installation or other consequential damages or whatsoever natures. Some states do not allow the exclusion or limitation of incidental or consequential damages. Accordingly, the above limitation may not apply to you.

The warranty extended hereunder is in lieu of any and all other warranties and any implied warranties of merchantability or fitness for a particular purpose is limited in its scope and duration to the terms set forth herein. Some states do not allow limitations on how long an implied warranty lasts. Accordingly, the above limitation may not apply to you.

This warranty gives you specific legal right. You may also have other rights which vary from state to state.

**IMPEX INC.**  
**14777 Don Julian**  
**City of Industry, CA 91746**

### **ORDERING REPLACEMENT PARTS**

Replacement parts can be ordered by calling our Customer Service Department toll-free at **1-800-999-8899** during our regular business hours: Monday through Friday, 9 am until 5 pm Pacific standard time.

**[www.impex-fitness.com](http://www.impex-fitness.com)**  
**[info@impex-fitness.com](mailto:info@impex-fitness.com)**

When ordering replacement parts, always give the following information.

1. Model
2. Description of Parts
3. Part Number
4. Date of Purchase